



## Convection Vertical Heaters

Workman Standard Duty  
Norseman Heavy Duty

<b>320</b>	200,000 Btu/h*/58.6kW	Propane
<b>341</b>	250,000 Btu/h*/73.3kW	Vapor
<b>CV225</b>	225,000 Btu/h*/65.9kW	Withdrawal
<b>CV100</b>	100,000 Btu/h*/29.3kW	Natural Gas

View this manual online at [www.lbwhite.com](http://www.lbwhite.com)

### Attention

Models 320, CV225 and CV100 heaters have been tested and evaluated by CSA Group in accordance with Standard ANSI Z83.7 • CSA 2.14 and are listed and approved as a direct fired vertical convection construction heaters for use on combustible floors. Model 341 heaters are tested and evaluated by the L.B.White and are not approved for use on combustible floors. All heaters are intended for use as a portable, temporary heater for buildings under construction, alteration, or repair. If you are considering using this product for any application other than its intended use, then please contact your fuel gas supplier, or the L.B. White Co., Inc.

**This manual provides instruction for all vertical construction heaters manufactured by L.B. White. Information relating to a specific model or gas configuration is noted. Unless, noted, the information applies to all models.**

[www.lbwhite.com](http://www.lbwhite.com)

**SEE ASSEMBLY  
INSTRUCTIONS  
INSIDE**



*\*Specific models for US or Canada. Refer to heater dataplate.*



## Congratulations!

You have purchased the finest convection heater available.

Your new L.B. White heater incorporates the benefits from the most experienced manufacturer of heating products using state-of-the-art technology.

We, at L.B. White, thank you for your confidence in our products and welcome any suggestions or comments you may have...call us, toll-free, at 1-800-345-7200.



### SCAN THIS

with your smartphone or visit <http://goo.gl/nvneR> to view maintenance videos for L.B.White heaters.\*

*\* Requires an app like QR Droid for Android or for iPhone*

**WORLD PROVIDER - INNOVATIVE HEATING SOLUTIONS**

411 Mason Street, Onalaska, WI 54650, USA • 800-345-7200 • 608-783-5691 • 608-783-6115 (fax) • [www.lbwhite.com](http://www.lbwhite.com)

## TABLE OF CONTENTS

Heater Specifications.....	4
General Information.....	5
Safety Precautions.....	6
Installation Instructions	
General.....	9
Burner Installation, Norseman 200 Plus and Norseman 250.....	11
Hose and Regulator Assembly - Propane Heaters.....	11
Connecting the Regulator to the Gas Supply	
Propane Heaters.....	12
Natural Gas Heaters.....	12
Lighting and Shut Down Instructions	
Workman 225 Plus.....	13
Norseman 200 Plus and Norseman 250.....	14
Workman 100 Plus Natural Gas.....	15
Cleaning Instructions.....	16
Maintenance Instructions.....	17
Service Instructions.....	18
General.....	18
Workman 225 Plus.....	18
Burner Orifice and Safety Control Valve.....	18
Workman 100 Plus Natural Gas.....	19
Pilot Orifice.....	19
Burner Orifice.....	19
Safety Control Valve and Gas Regulator.....	19
Norseman 200 Plus and Norseman 250.....	20
Burner Orifice.....	20
Pilot Orifice.....	20
Safety Control Valve.....	20
Igniter and Electrode (Workman 225 Plus, Norseman 200 Plus, and Workman 100 Plus).....	21
Thermocouple (all models).....	22
Gas Pressure Checks.....	23
Troubleshooting Information.....	25
Heater Component Function.....	26
Parts Identification	
Parts Schematic and Parts List	
Workman 225 Plus.....	27
Norseman 200 Plus and Norseman 250.....	28/29
Workman 100 Plus Natural Gas.....	30/31
Warranty Policy, Replacement Parts, and Service.....	32

## GENERAL HAZARD WARNING

- FAILURE TO COMPLY WITH THE PRECAUTIONS AND INSTRUCTIONS PROVIDED WITH THIS HEATER CAN RESULT IN:
  - DEATH
  - SERIOUS BODILY INJURY OR BURNS
  - PROPERTY DAMAGE OR LOSS FROM FIRE OR EXPLOSION
  - ASPHYXIATION DUE TO LACK OF ADEQUATE AIR SUPPLY OR CARBON MONOXIDE POISONING
- READ THIS OWNER'S MANUAL BEFORE INSTALLING OR USING THIS PRODUCT.
- ONLY PERSONS WHO CAN READ, UNDERSTAND, AND FOLLOW THE INSTRUCTIONS SHOULD USE OR SERVICE THIS HEATER.
- SAVE THIS OWNER'S MANUAL FOR FUTURE USE AND REFERENCE.
- OWNER'S MANUALS AND REPLACEMENT LABELS ARE AVAILABLE AT NO CHARGE. SEE WEBSITE, OR FOR ASSISTANCE, CONTACT L.B. WHITE AT 1-800-345-7200.

## WARNING

- PROPER GAS SUPPLY PRESSURE MUST BE PROVIDED TO THE INLET OF THE HEATER.
- REFER TO DATA PLATE FOR PROPER GAS SUPPLY PRESSURE.
- GAS PRESSURE IN EXCESS OF THE MAXIMUM INLET PRESSURE SPECIFIED AT THE HEATER INLET CAN CAUSE FIRES OR EXPLOSIONS.
- FIRES OR EXPLOSIONS CAN LEAD TO SERIOUS INJURY, DEATH, OR BUILDING DAMAGE.
- GAS PRESSURE BELOW THE MINIMUM INLET PRESSURE SPECIFIED AT THE HEATER INLET MAY CAUSE IMPROPER COMBUSTION.
- IMPROPER COMBUSTION CAN LEAD TO ASPHYXIATION OR CARBON MONOXIDE POISONING AND THEREFORE SERIOUS INJURY OR DEATH.

## WARNING

### FIRE AND EXPLOSION HAZARD

- NOT FOR HOME OR RECREATIONAL VEHICLE USE.
- INSTALLATION OF THIS HEATER IN A HOME OR RECREATIONAL VEHICLE MAY RESULT IN A FIRE OR EXPLOSION.
- FIRE OR EXPLOSIONS CAN CAUSE PROPERTY DAMAGE OR LOSS OF LIFE.

## WARNING

### FIRE, BURN, INHALATION, AND EXPLOSION HAZARD

- KEEP SOLID COMBUSTIBLES A SAFE DISTANCE AWAY FROM THE HEATER.
- SOLID COMBUSTIBLES INCLUDE WOOD, PAPER, OR PLASTIC PRODUCTS, BUILDING MATERIALS AND DUST.
- DO NOT USE THE HEATER IN SPACES WHICH CONTAIN OR MAY CONTAIN VOLATILE OR AIRBORNE COMBUSTIBLES.
- VOLATILE OR AIRBORNE COMBUSTIBLES INCLUDE GASOLINE, SOLVENTS, PAINT THINNER, DUST PARTICLES OR UNKNOWN CHEMICALS.
- FAILURE TO FOLLOW THESE INSTRUCTIONS MAY RESULT IN A FIRE OR EXPLOSION.
- FIRE OR EXPLOSIONS CAN LEAD TO PROPERTY DAMAGE, PERSONAL INJURY OR DEATH.

## FOR YOUR SAFETY

Do not store or use gasoline or other flammable vapors and liquids in the vicinity of this or any other appliance.

## FOR YOUR SAFETY

If you smell gas:

1. Open windows.
2. Don't touch electrical switches.
3. Extinguish any open flame.
4. Immediately call your gas supplier.

## WARNING

### CALIFORNIA RESIDENTS:

When operating, this heater produces chemicals, including Carbon Monoxide, known to the State of California to cause birth defects and other reproductive harm.

For more information,  
go to [www.P65Warnings.ca.gov](http://www.P65Warnings.ca.gov)

# Specifications

Description		Model			
		320	341	CV225	CV100
Fuel Type		Propane Gas	Propane Gas	Propane Gas	Natural Gas
Input (Btuh/kW)	MAX.	200,000 / 58.6	250,000 / 73.3	225,000 / 65.9	100,000 / 29.3
	MIN.	N/A	N/A	45,000 / 13.2	N/A
Inlet gas supply pressure acceptable at the gas connection of the heater (see Footnote 1)	MAX.	23 / 158.6	23 / 158.6	10.2 / 70.3	13.5 / 3.36
	MIN.	23 / 158.6	23 / 158.6	10.2 / 70.3	7.0 / 1.74
Burner manifold pressure (see Footnote 1)		23 / 158.6	23 / 158.6	10.0 / 68.9	5.1 / 1.27
Fuel consumption per hour (see Footnote 2)	MAX.	9.28 / 4.21	11.6 / 5.26	10.44 / 4.73	100 / 2.83
	MIN.	N/A	N/A	2.08 / 0.94	N/A
Dimensions (Inches/cm) LxWxH		18x13x24/ 46x33x61	18x13x24/ 46x33x61	17x15x26/ 43x38x66	16.5x15x25/ 42x38x64
Minimum safe distances from nearest combustible materials (Feet/Meters)	TOP	5 ft. 10 in. / 1.77	8.0/2.43	5 ft. 10 in. / 1.77	5.0 / 1.52
	SIDES	4.0 / 1.2			3.0 / .91
	PROPANE	US: 6/1.83 Canada: 10/3.05			N/A

Footnote 1: Gas pressures:

Models 320, 341, and CV225: expressed in PSIG/kPa.  
Model CV100: expressed in Inches of Water Column / kPa

Footnote 2: Fuel consumption:

Models 320, 341, and CV225: expressed in pounds/kilograms per hour  
Model CV100: expressed in cubic feet / cubic meters per hour.

## General Information

When calling for technical service assistance, or for other specific information, **always** have model number, configuration number and serial number available. This information is contained on the dataplate.

This manual will instruct you in the operation and care of your unit. Have your installer review this manual with you so that you fully understand the heater and how it functions.

Contact your local L.B. White distributor or the L.B. White Co., Inc. for assistance, or if you have any questions about the use of the equipment or its application.

The L.B. White Co., Inc. has a policy of continuous product improvement. It reserves the right to change specifications and design without notice.

## Safety Precautions

### WARNING

#### Asphyxiation Hazard

- Do not use this heater for heating human living quarters, garages, workshops, or other such confined spaces.
- Do not use in unventilated areas.
- The flow of combustion and ventilation air must not be obstructed.
- Proper ventilation air must be provided to support the combustion air requirements of the heater being used.
- Lack of proper ventilation air will lead to improper combustion.
- Improper combustion can lead to carbon monoxide poisoning leading to serious injury or death. Symptoms of carbon monoxide poisoning can include headaches, dizziness and difficulty in breathing.
- Proper ventilation air for combustion must be provided in accordance with OSHA 29 CFR 1926.154, Temporary Heating Devices, ANSI A10.10, Safety Requirements for Temporary and Portable Space Heating Devices, or the Natural Gas and Propane Installation Code, CAN/CSA B149.1 as appropriate.

## Fuel Gas Odor

Propane gas and natural gas have man-made odorants added specifically for detection of fuel gas leaks. If a gas leak occurs, you should be able to smell the fuel gas. THAT'S YOUR SIGNAL TO GO INTO IMMEDIATE ACTION!

- Do not take any action that could ignite the fuel gas. Do not operate any electrical switches. Do not pull any power supply or extension cords. Do not light matches or any other source of flame. Do not use your telephone.
- Get everyone out of the building and away from the area immediately.
- Close all fuel supply valves.
- Propane gas is heavier than air and may settle in low areas. When you have reason to suspect a propane leak, keep out of all low areas.
- Use your neighbor's phone and call your fuel gas supplier and your fire department. Do not re-enter the building or area.
- Stay out of the building and away from the area until declared safe by the firefighters and your fuel gas supplier.
- FINALLY, let the fuel gas service person and the firefighters check for escaped gas. Have them air out the building and area before you return. Properly trained service people must repair the leak, check for further leakages, and then relight the heater for you.

## Odor Fading - No Odor Detected

- Some people cannot smell well. Some people cannot smell the odor of the man-made chemical added to propane or natural gas. You must determine if you can smell the odorant in these fuel gases.
- Learn to recognize the odor of propane gas and natural gas. Local propane gas dealers and your local natural gas supplier (utility) will be more than happy to give you a "scratch and sniff" pamphlet. Use it to become familiar with the fuel gas odor.
- Smoking can decrease your ability to smell. Being around an odor for a period of time can affect your sensitivity to that particular odor.
- The odorant in propane gas and natural gas is colorless and the intensity of its odor can fade under some circumstances.
- If there is an underground leak, the movement of gas through the soil can filter the odorant.
- Propane gas odor may differ in intensity at different levels. Since propane gas is heavier than air, there may be more odor at lower levels.
- Always be sensitive to the slightest gas odor. If you continue to detect any gas odor, no matter how small, treat it as a serious leak. Immediately go into action as discussed previously.

## Attention - Critical Points to Remember!



### WARNING

#### Burn Hazard

- High surface and discharge temperatures.
- Do not touch the heater or come within safe clearances given on dataplate or owner's manual.
- Use extreme caution when lighting the heater or adjusting heat levels.
- Failure to follow this warning can result in burns or ignition of clothing.
- Burns cause serious injury or death.

- Propane gas has a distinctive odor. Learn to recognize this odor. (Reference "Fuel Gas Odor" and "Odor Fading" section above.
- If you have not been properly trained in repair and service of propane gas fueled heaters, then do not attempt to light heater, perform service or repairs, or make any adjustments to the heater on propane gas fuel system.
- Even if you are not properly trained in the service and repair of the heater, ALWAYS be consciously aware of the odor of propane gas and natural gas.
- A periodic sniff test around the heater or at the heater's joints; i.e. hose, connections, etc., is a good safety practice under any conditions. If you smell even a small amount of gas, CONTACT YOUR FUEL GAS SUPPLIER IMMEDIATELY. DO NOT WAIT!

1. Do not attempt to install, repair, or service this heater or the gas supply line unless you have continuing expert training and knowledge of gas heaters.

Qualifications for service and installation of this equipment are as follows:

- a. To be a qualified gas heater service person, you must have sufficient training and experience to handle all aspects of gas-fired heater installation, service and repair. This includes the task of installation, troubleshooting, replacement of defective parts and testing of the heater. You must be able to place the heater into a continuing safe and

normal operating condition. You must completely familiarize yourself with each model heater by reading and complying with the safety instructions, labels, Owner's Manual, etc., that is provided with each heater.

- b. To be a qualified gas installation person, you must have sufficient training and experience to handle all aspects of installing, repairing and altering gas lines, including selecting and installing the proper equipment, and selecting proper pipe and tank size to be used. This must be done in accordance with all local, state and national codes as well as the manufacturer's requirements.
- c. Norseman 200, Workman 225, Workman 100 NG: In the Commonwealth of Massachusetts, these products must be installed by a gas fitter licensed by the Commonwealth of Massachusetts.

2. All installations and applications of L.B. White heaters must meet all relevant local, state and national codes. Included are L.P. gas, natural gas, electrical, and safety codes. Your local fuel gas supplier, a local licensed electrician, the local fire department or similar government agencies, or your insurance agent can help you determine code requirements.

In the absence of local codes, refer to:

- ANSI/NFPA 58, latest edition, Standard for Storage and Handling of Liquefied Petroleum Gas
- ANSI Z223.1/NFPA 54, National Fuel Gas Code
- CSA B149.1, Natural Gas and Propane Installation Code.

3. Not for use with duct work.

4. We cannot anticipate every use which may be made of our heater. Check with your local fire safety authority if you have questions about applications.

5. Other standards govern the use of fuel gases and heat producing products in specific applications. Your local authority can advise you about these.

6. Use only compressed air, soft brush or dry cloth to clean the interior of the heater and it's components.

7. Always use approved pipe thread compound suitable for use with propane gas on the threaded connections.
8. Do not block air intakes or discharge outlets of the heater. Doing so may cause improper combustion or damage to heater components leading to property damage.
9. The hose assembly shall be visually inspected on a daily basis after heater relocation and when the heater is in use. If it is evident there is excessive abrasion or wear, or if the hose is cut, it must be replaced prior to the heater being put into operation. The hose assembly shall be protected building materials, and contact with hot surfaces during use. The replacement hose assembly shall be that specified by the manufacturer. See parts list.
10. Check for gas leaks and proper function upon heater installation or when relocating. Refer to leak check instructions within installation section of this manual.
11. This heater should be inspected for proper operation by a qualified service person before each use and at least annually.
12. Always turn off the gas supply to the heater when not using the heater.
13. If gas flow is interrupted and flame goes out, do not relight the heater until you are sure that all gas that may have accumulated has cleaned away. In any event, do not relight the heater for at least 5 minutes.
14. Minimum propane gas supply cylinder size to be used shall be 100 pounds. When using a cylinder supply system, the system must be arranged to provide vapor withdrawal from the operating cylinder.
15. When the heater is to be stored indoors, the connection between the propane gas supply cylinder(s) and the heater must be disconnected and the cylinder(s) removed from the heater and stored in accordance with the Standard for Storage and Handling of Liquefied Petroleum Gases, ANSI/NFPA 58, and natural GAs and Propane installation code, CSA B149.1
16. Propane gas supply containers have left handed threads. Always use the appropriate wrench to tighten or loosen the P.O.L. fitting at the propane gas containers supply valve. Do not use pliers.



# General Installation Instructions



## WARNING

### Burn Hazard

Can cause property damage, severe injury or death.

1. To avoid dangerous accumulation of fuel gas, turn off gas supply at the appliance service valve before starting installation, and perform gas leak test after completion of installation.
2. Do not force the safety control valve's button. Use only your hand to depress the button. Never use any tools. If the button will not operate by hand, the control should be replaced by a qualified service technician. Force or attempted repair may result in fire or explosion.

1. Read all safety precautions and follow L.B. White recommendations when installing this heater. If during the installation or relocating of heater, you suspect that a part is damaged or defective, call a qualified service agency for repair or replacement.
2. Position heater properly before use. Using a level, ensure the heater is installed on a level, flat, horizontal and stable surface when hot or in operation and according to minimum clearances from combustible surfaces such as walls, floor or ceilings. Do not place combustible materials within this zone of clearance. See Specification Page 4 of this manual for minimum safe distances to combustible materials.



## WARNING

### Fire Hazard

- Temperatures at base of the Norseman 250 (model 341) may ignite combustible materials.
- Use the Norseman 250 heater on non-combustible materials to avoid a fire hazard.

- Per OSHA 1926.154: a heater not suitable for use on a combustible surface may be used on such surfaces providing the heater rests on a suitable heat shielding and insulating material, such as concrete, of at least 1 inch (2.54cm) thickness. The insulating material shall extend beyond the heater 2 feet (0.61m) or more in all directions.

### 3. L.P Gas Installation Requirements

- Ensure all L.P. gas containers are secured and protected from people, vehicular traffic and contact.
- L.P. gas containers must be located on a flat, level, and stable surface.
- L.P. gas cylinders (100 lb./45kg cylinders/tanks) must be secured from tip-over.

Contact your local authorities, L.P. gas dealers, or fire marshalls for specifics dealing with installation in your area.

4. Position the heater and its gas supply hose so as to protect heater and its gas supply hose from traffic. Protect hoses with a shielding device of suitable nature to protect the hose from traffic and movement or other construction equipment.

5. The heater is approved for indoor use only. The heater shall be installed so it is not directly exposed to water spray, rain, and /or dripping water.

6. The heater's gas pressure regulator (with pressure relief valve) must be protected from adverse weather conditions (rain, ice, snow) as well as from building materials (tar, concrete, plaster, etc.) which can affect safe operation and could result in property damage or injury.

7. Heaters used in the vicinity of combustible tarpaulins, canvas, plastics, wind barriers, or similar coverings shall be located at least 10 feet (3.05m) from the coverings. The coverings shall be securely fastened to prevent ignition or upsetting of the heater due to wind action on the covering or other material.

8. Check all connections for gas leaks using approved gas leak detectors. Gas leak testing is performed as follows:

**⚠ WARNING**

**Fire and Explosion Hazard**

- Do not use open flame (matches, torches, candles, etc.) in checking for gas leaks.
- Use only approved leak detectors.
- Failure to follow this warning can lead to fires or explosions.
- Fires or explosions can lead to property damage, personal injury or loss of life.

-- Check all pipe connections, hose connections, fittings and adapters upstream of the gas control with approved gas leak detectors.

-- In the event a gas leak is detected, check the components involved for cleanliness and proper application of pipe compound before further tightening.

-- Further tighten the gas connections as necessary to stop the leak.

-- After all connections are checked and any leaks are stopped, turn on the main burner.

-- Stand clear while the main burner ignites to prevent injury caused from hidden leaks that could cause flashback.

-- With the main burner in operation, check all connections, hose connections, fittings and joints as well as the gas control valve inlet and outlet connections with approved gas leak detectors.

-- If a leak is detected, check the components involved for cleanliness in the thread areas and proper application of pipe compound before further tightening.

-- Tighten the gas connection as necessary to stop the leak.

-- If necessary, replace the parts or components involved if the leak cannot be stopped.

-- Ensure all gas leaks have been identified and repaired before proceeding.

9. A qualified service agency must inspect the heater before each use and at least annually.

10. Light according to instructions on heater or within owner's manual.

11. Make sure the heater has the proper gas regulator for the application. A regulator must be connected to the gas supply so that gas pressure at the inlet to the gas valve is regulated within the range specified on the dataplate at all times. Contact your gas supplier, or the L.B. White Co., Inc. if you have any questions.

12. This heater is configured for use with propane vapor withdrawal only. Consult the heater's dataplate for the gas configuration of the specific heater. Do not use the heater in an propane liquid withdrawal system or application. If you are in doubt, contact the L.B. White Co., Inc.

13. Take time to understand how to operate and maintain the heater by using this Owner's Manual. Make sure you know how to shut off the gas supply to the building and also to the individual heater. Contact your fuel gas supplier if you have any questions.

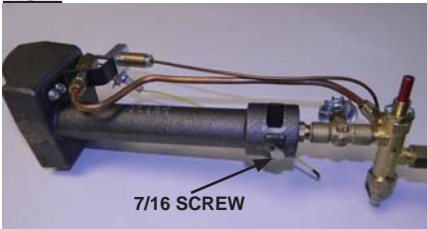
14. Any defects found in performing any of the service or maintenance procedures must be eliminated and defective parts replaced immediately. The heater must be retested by properly qualified service personnel before placing the heater back into use.

## Burner Installation

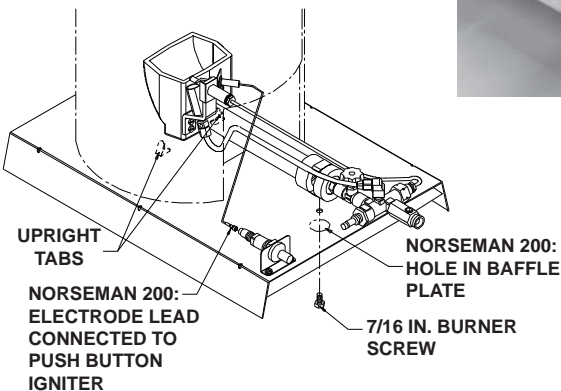
### Norseman 200 Plus and Norseman 250

1. Remove the 7/16 hex head screw from underside of pre-assembled burner. See Fig. 1.
2. Install the burner assembly into the heater's case assembly. See Fig. 2.
  - a. The burner head must be located between upright tabs in heater's base.
  - b. Align tapped hole in burner casting (previously occupied by hex head bolt) to mounting hole in base.
  - c. Using a 7/16 in. nut driver or ratchet with 7/16 in. socket, securely fasten the burner assembly to the base using the screw removed in step 1.
3. Norseman 200 heaters: Push female terminal on electrode wire securely onto male terminal of push button igniter. See Fig. 2.

**FIG. 1**



**FIG. 2**

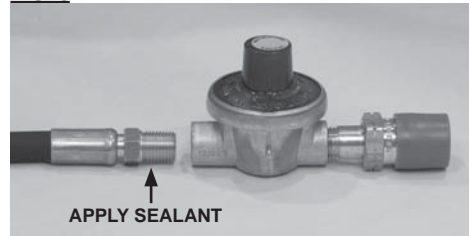


## Hose and Regulator Assembly

### Propane Gas Heaters

1. Apply a small amount of pipe thread sealant to threads of rigid hose connection. Connect this end to regulator outlet. See Fig. 3. Tighten securely. (Workman 225 shown.)
2. Connect opposite end of hose with nut to safety control valve of heater. See Fig. 4. Tighten securely. (Workman 225 Plus shown.)

**FIG. 3**



**FIG. 4**



**NOTE:**

Norseman 200 & Norseman 250 heaters use a hose with swivel nuts at both ends.

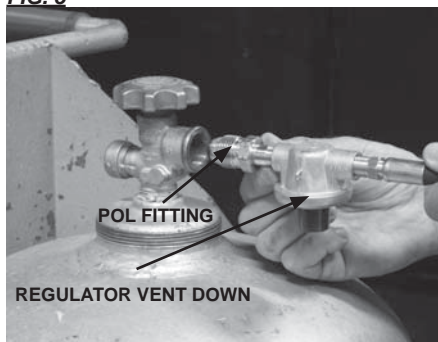
- Connect one end to safety control valve at heater.
- Connect opposite end to hose adapter at regulator outlet.

## Connecting Regulator to Gas Supply

### Propane Gas Heaters (Workman 225 Plus, Norseman 200 Plus and Norseman 250)

1. Remove protective cap from POL fitting. Do not discard cap. Position regulator as shown to protect its vent, or install protective cover over the regulator and cylinder valve.
  2. Insert POL fitting into propane supply valve. See Fig.5. Thread nut on fitting counterclockwise into propane supply valve. Tighten nut securely with a wrench.
- When storing or transporting the heater, ensure the cap is pushed onto the POL fitting to prevent damage or dirt entry into regulator.

**FIG. 5**



### Natural Gas Heaters (Workman 100 Plus Natural Gas)

- Connect the appropriate gas supply line to the inlet of the regulator located on the heater. See Fig. 6. This regulator takes an inlet pressure of 13.5 In.W.C. (3.36 kPa) maximum or a minimum inlet pressure of 7.0 inches W.C. (1.74 kPa) The regulator reduces the inlet pressure down to 5.1 In. W.C. (1.27 kPa) for operation.

**For inlet pressures exceeding 13.5 In. W.C. (3.36 kPa), an additional regulator will be needed upstream of the heater's regulator to reduce the higher pressure to the required inlet pressure.**

**FIG. 6**



# Lighting Instructions

## Workman 225 Plus

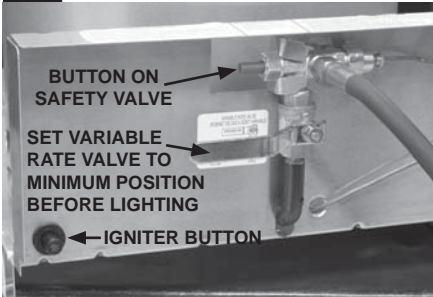
### **WARNING**

#### **Burn Hazard**

- Before lighting, ensure the variable heat valve on heater is positioned to the minimum heat output setting. See Fig. 7.
- Failure to do so will result in the main burner igniting at full heat output.
- Serious injury or death due to burns may occur.

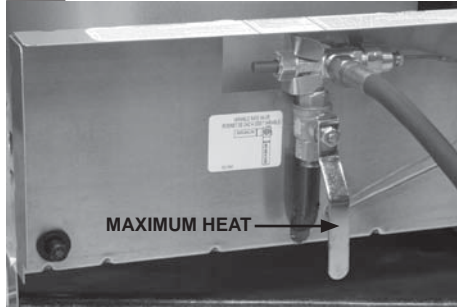
1. Slowly open the propane gas supply container valve. (This prevents lockup of the excess flow check valve internal to the regulator's POL fitting.)
2. Fully depress the button on the safety control valve while pushing the igniter button. The burner will light. See Fig. 7.

**FIG. 7**



- On new installations it may take a short time for gas to purge out any air before the burner lights.
3. Keep the valve button depressed for about 30 seconds to allow the thermocouple to warm up.
  4. Release the safety control valve button.
  5. Once the burner is lit, the variable rate valve can be positioned to any setting from minimum to maximum heat. See Fig. 8

**FIG. 8**



## Shut-Down Instructions

1. Close the propane gas supply container valve.
2. Allow the heater to burn off any fuel gas remaining in the gas supply line.
3. Position the variable rate valve to its minimum heat position.
4. Disconnect the heater from its gas supply.

## Lighting Instructions

### Norseman 200 Plus and Norseman 250

#### **WARNING**

##### **Burn Hazard**

- Before lighting, ensure the manual main burner valve is completely closed. See Fig. 9
- Failure to do so will result in the main burner igniting at full heat output.
- Serious injury or death due to burns may occur.

1. Slowly open the propane gas container valve.  
(This prevents lockup of the excess flow check valve internal to the regulator's POL fitting.)

#### 2. **Norseman 200 Plus:**

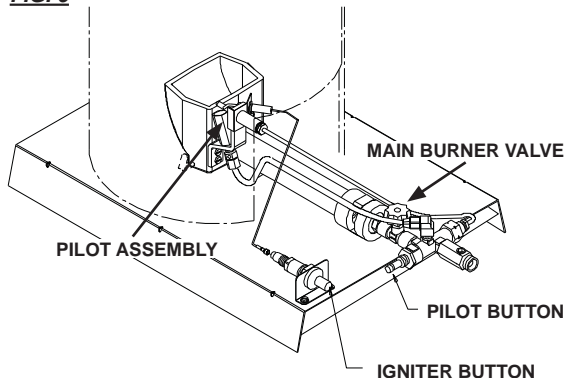
Fully depress the button on the pilot safety control valve while pushing the igniter button.

#### **Norseman 250:**

Apply a flame to the pilot assembly. Then depress the button on the safety control valve to light the pilot.

- On new installations it may take a short time for gas to purge out any air before the pilot lights and stays lit.
3. Once the pilot flame is lit, keep the pilot button depressed for about 30 seconds to allow the thermocouple to warm up.
4. Release the safety control valve button.
5. Slowly open the manual main burner valve located between the pilot safety control and burner.

**FIG. 9**



## Shut-Down Instructions

A. To properly shut heater down after normal use, or when further use is anticipated:

-- Close the manual main burner valve on heater.  
The pilot will stay lit.

B. To properly shut heater down for storage, or when further use is not anticipated:

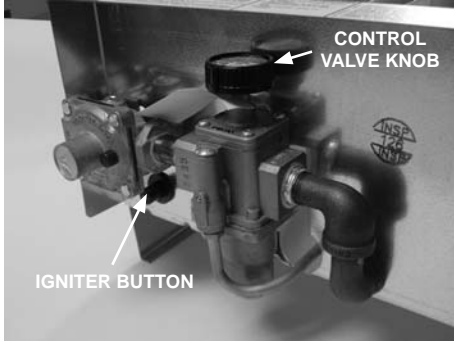
1. Close propane gas supply container valve. Allow heater to burn off remaining gas in its hose.
2. Close manual main burner valve on heater.
3. Disconnect the heater from its gas supply.

## Lighting Instructions

### Workman 100 Plus Natural Gas

1. Follow the instructions on the knob of the safety control valve knob to light:
  - Turn the knob counter- clockwise (CCW) from OFF to the PILOT position.
  - Fully depress the knob while repetitively pushing the igniter's button.
  - Keep the knob depressed in the PILOT position for about 30 seconds to allow the thermocouple to warm up.
    - On new installations it may take a short time for gas to purge out any air before the pilot lights and stays lit.
  - Release the knob on the safety control valve.
  - Turn the knob counterclockwise to ON. The main burner will light.

**FIG. 10**



## Shut-Down Instructions

- A. To properly shut heater down after normal use, or when further use is anticipated:
  - Turn the knob on the pilot safety control valve to the PILOT position. The main burner will shut off but the pilot light will remain lit.
- B. To properly shut heater down for storage, or when further use is not anticipated:
  1. Close the fuel supply valve.
  2. Allow the heater to burn off any fuel gas remaining on the gas supply line.
  3. Slightly depress the safety control valve's knob and turn the knob clockwise to OFF position.
  4. Disconnect the heater from its gas supply.

## Cleaning Instructions



### WARNING

#### Fire, Burn, and Explosion Hazard

- This heater contains mechanical components used in the gas management and safety systems.
- Such components may become inoperative or fail due to dust, dirt, wear or aging.
- Periodic cleaning and inspection as well as proper maintenance are essential to avoid serious injury or damage

1. Before cleaning, close all gas supply valves.
2. The heater should have dirt or dust removed periodically:
  - a. Before each use give the heater a general cleaning using compressed air, a soft brush, or dry rag, on its case and internal components.
  - b. At least once a year, give the heater a thorough cleaning. At this time, brush and/or blow off the burner and related components.



### WARNING

Do not use a pressure washer, water or liquid cleaning solution on any gas controls. Use of a pressure washer, water, or liquid cleaning solution on the control components can cause severe personal injury or property damage due to water and/or liquids:

\* On gas control valves causing corrosion which can result in gas leaks and fire or explosion from the leak.

Clean all components of the heater with pressurized air, a dry brush or a dry cloth.



# Maintenance Instructions

## BEFORE EACH USE:

1. Ensure the area surrounding the heater is free and clear from combustible materials, gasoline, and other flammable vapors and liquids.
2. Inspect the gas hose. Replace the gas hose immediately if nicks or cuts are found.
3. For heaters with a push button igniter, make sure the wire from the igniter to the electrode is in good condition, without any nicks or cuts. Replace the electrode (comes with wire) if defects are found.
4. Check for gas leaks using approved leak detectors.
5. Review all heater markings (i.e. warnings, start-up, shut-down, etc.) at the time of maintenance for legibility. Make sure none are cut, torn, or otherwise damaged. Any damaged markings must be replaced immediately by contacting the L.B. White Co., Inc. Dataplates, start-up and shut-down instructions and warnings are available at no cost.
6. Ensure the proper regulator is matched to the heater being used. Regulators are set to different pressures, depending on the design requirements of the heater. Mis-matching of the regulator to the improper heater can result in over or under firing of the heater, resulting in soot, high levels of carbon monoxide, or damage to the heater and surrounding area. If in doubt, contact L.B. White Co.
7. Inspect the regulator to make sure the regulator vent is not blocked. Debris, insects, insect nests, tar, snow, or ice on a regulator can block vents and cause excess pressure at the heater.

## ANNUALLY:

1. Regulators can wear out and function improperly. Have your gas supplier check the date codes on all regulators installed and check delivery pressures to the appliance to make sure that the regulator is reliable.

## Service Instructions

### **WARNING** Burn Hazard

- Heater surfaces are hot for a period of time after the heater has been shut down.
- Allow the heater to cool before performing service, maintenance, or cleaning.
- Failure to follow this warning will result in burns causing injury.

### **WARNING** Fire and Explosion Hazard

- Do not disassemble or attempt to repair any heater components or gas train components such as gas valves, or gas hoses.
- All component parts must be replaced if defects are found.
- Failure to follow this warning will result in fire or explosions, causing property damage, injury, or death.

1. Close the fuel supply valve to the heater before servicing.
2. Disconnect the thermocouple from the safety control valve when servicing either the pilot safety control valve or the burner orifice.
3. **Workman 225 Plus and Workman 100 Plus NG:** Remove the heater's barrel for access to burner related components.

**Norseman 200 Plus and Norseman 250:** Remove the 7/16 in. burner retaining screw from underside of case and pull the burner from the case when servicing burner components.

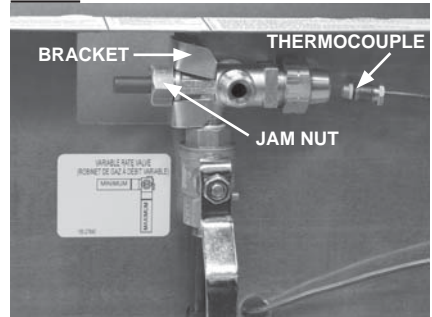
4. Disconnect the gas hose if needed for the service procedure.
5. For reassembly, reverse the respective service procedure. Ensure gas connections are tightened securely and leak checked before lighting the heater.
6. Clean the heater's orifice with compressed air or a soft, dry rag. Do not use files, drills, etc., which may enlarge the holes, causing combustion problems or burner flame extending outside of the case barrel. Replace the component if its holes cannot be cleaned properly.

## WORKMAN 225 PLUS

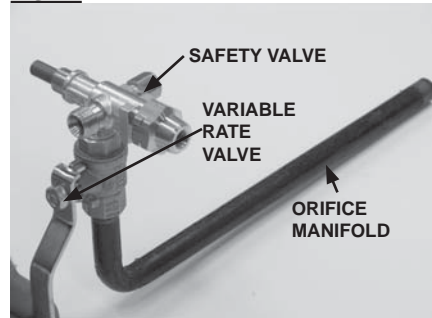
### Burner Manifold/ Orifice and Safety Control valve. See Figs. 11 and 12.

1. Straighten the mounting bracket tabs and remove thermocouple from safety control valve.
2. Remove the jam nut securing the safety control valve to its mounting bracket.
3. Pull the safety control with manifold from heater.
4. Replace or clean components as needed.

**FIG. 11**



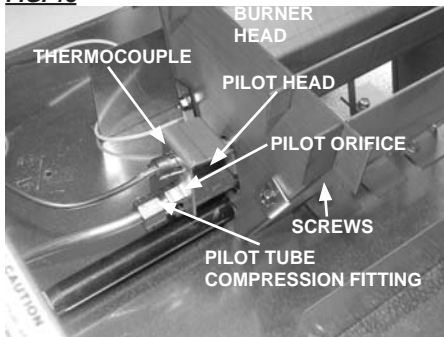
**FIG. 12**



### WORKMAN 100 PLUS NATURAL GAS Pilot Orifice

1. Remove the thermocouple from the mounting bracket and loosen the pilot line' compression fitting. Carefully reposition the pilot line away from the pilot orifice.
2. Remove the screws that secure the burner head to the heater's base. See Fig. 13.
3. Slide the burner head off of the base to expose the pilot and burner orifices.

**FIG. 13**

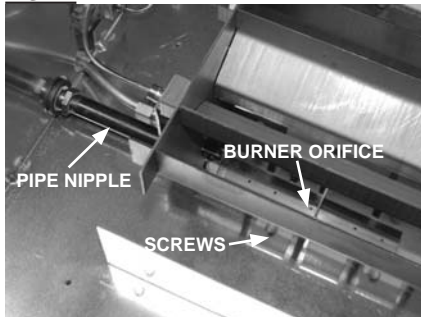


4. Once the burner head has been moved away, use appropriate wrenches to hold the pilot head in place while removing the pilot orifice.

### Burner Orifice:

-- Follow steps 1 through 3 above. Hold the pipe nipple between the safety control valve and the burner orifice with a pipe wrench while removing the burner orifice with a suitable open end or adjustable wrench. See Fig. 14 for location of pipe nipple and burner orifice.

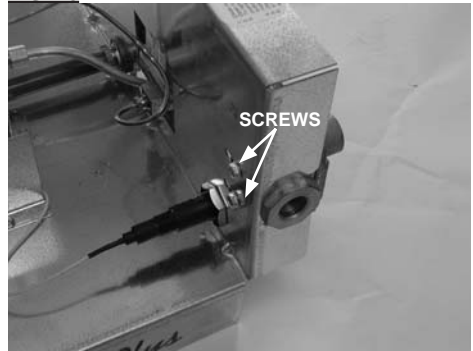
**FIG. 14**



### Safety Control Valve & Gas Regulator:

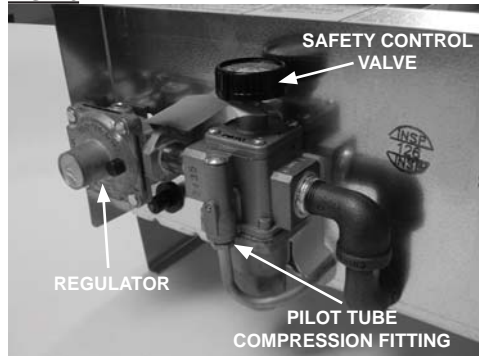
1. Remove the two hex head screws that secure the regulator to the upright panel on the heater. See Fig. 15.

**FIG. 15**



2. Loosen the pilot tube's compression fitting at the safety control valve and carefully reposition the pilot tube away from the safety control valve. See Fig. 16.

**FIG. 16**

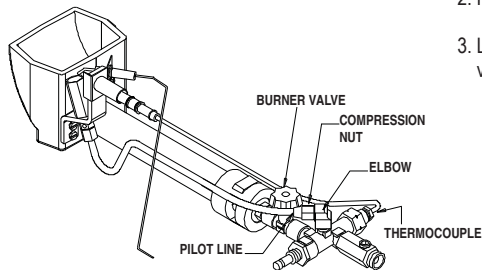


3. Loosen the thermocouple connector nut at the safety control valve.
4. Pull the complete regulator/safety control valve/burner orifice assembly from the heater. Disassemble as needed for valve replacement.

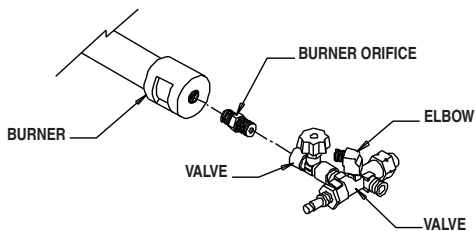
## NORSEMAN 200 PLUS AND NORSEMAN 250 Burner Orifice (See Fig. 17)

1. Disconnect compression nut from brass elbow and thermocouple from pilot control valve.
2. Carefully reposition pilot line and thermocouple away from safety control valve.
3. Disassemble the following:
  - Pilot control with manual valve from burner orifice
  - Burner orifice from burner casting.
4. Clean the burner orifice.

**FIG. 17**



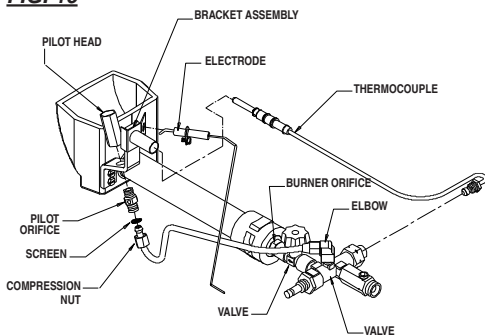
**FIG. 18**



## Pilot Orifice (See Fig. 19.)

1. Loosen compression nut at pilot orifice and carefully reposition pilot tube away from the orifice.
2. Remove pilot orifice from pilot head and screen from orifice inlet.
3. Ensure orifice hole is not plugged.

**FIG. 19**



## Safety Control Valve (See Fig. 18)

1. Remove pilot line from safety control valve.
2. Remove thermocouple at safety control.
3. Loosen safety control from manual burner valve.

## IGNITER AND ELECTRODE

### Workman 225 Plus, Norseman 200 Plus, and Workman 100 Plus NG

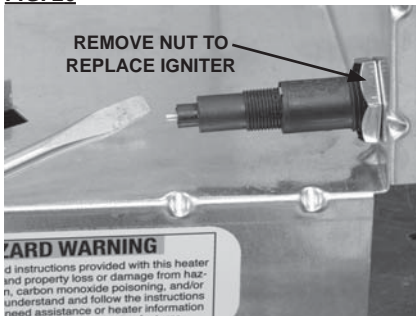
Servicing of the igniter and electrode is needed when a spark is not observed at the electrode when pushing the igniter button. This may happen with hard use over a long period of time, or due to dust and dirt accumulation.

If you do not see a spark being generated at the electrode check the following areas:

#### A. Igniter

1. Remove the wire from the push button igniter.
2. Position a screwdriver tip about 1/8 in. from igniter. See Fig. 20.
3. Holding the screwdriver by its handle, push the igniter's button several times. If spark is not seen, replace the igniter. If spark is observed, proceed to electrode servicing.

**FIG. 20**



#### B. Electrode

1. Ensure the wire between the electrode and the igniter is securely connected.
2. Verify that the electrode's insulator body is not cracked and that the electrode rod does not move within its the body. See Fig. 21. If it does, replace the electrode.
3. Check the wire for nicks, cuts, or mars. Nicks or cuts will prevent a spark from being generated at the electrode tip. Replace the electrode if necessary. The electrode ships with the wire.
4. Electrode tip gap can vary depending on model of heater. Ensure proper position.

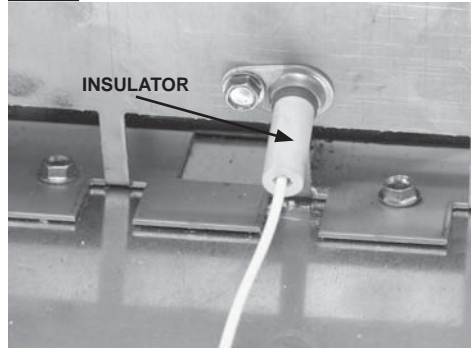
**Workman 225 Plus:** See Fig. 22

**Workman 100 Plus Natural Gas:** See Fig. 23

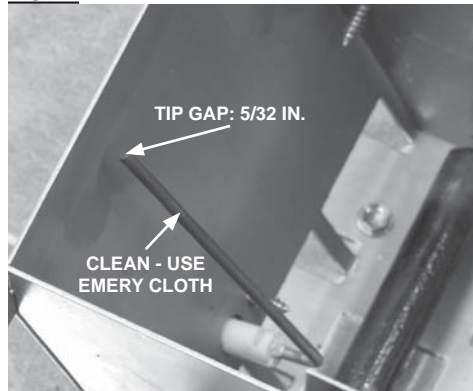
**Norseman 200 Plus:** See Fig. 24, page 22.

Clean the electrode with emery cloth or steel wool.

**FIG. 21**



**FIG. 22**



**FIG. 23**

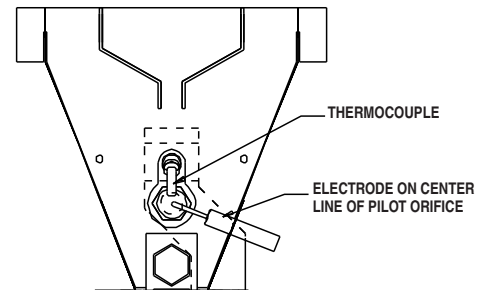
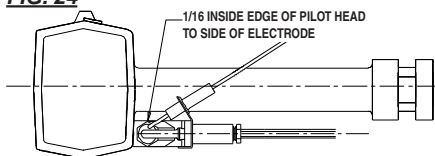


FIG. 24

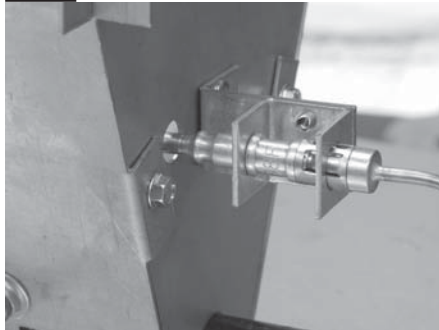


### THERMOCOUPLE - ALL MODELS

The thermocouple may need replacement if the burner goes out after allowing the thermocouple to heat up for an extended period of time.

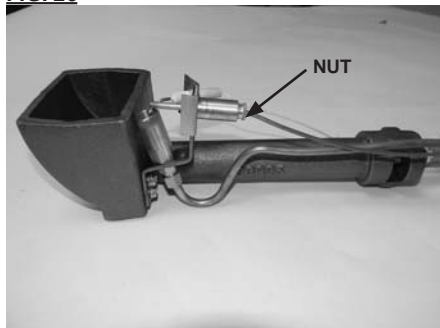
1. **Workman 225 Plus and Workman 100 Plus Natural Gas:** Pull back on the thermocouple to disengage its mounting clip from the support bracket. See Fig. 25, Workman 225 Plus shown.

FIG. 25



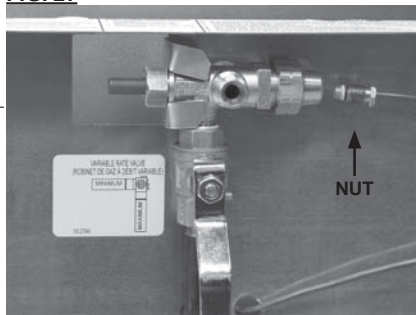
2. **Norseman 200 Plus and Norseman 250:** Use a wrench and loosen the attachment nut at the pilot assembly. See Fig 26, Norseman 200 Plus shown.

FIG. 26



3. Loosen the thermocouple connector nut which is threaded into the safety control valve. See Fig. 27, Workman 225 Plus shown. Remove the thermocouple.

FIG. 27



- For thermocouples using a mounting clip, ensure the thermocouple is completely pushed into its bracket when replacing. Failure to do so may cause burner outage.
- When connecting the thermocouple to the safety control valve, thread the thermocouple finger tight to the valve, then snug it in with a wrench.

To determine if the thermocouple is defective:

Connect an ohm meter between the ends of the thermocouple.

- A good thermocouple will show some level of resistance from end to end.
- A defective thermocouple will show an open circuit on the ohm meter

## GAS PRESSURE CHECKS

- This procedure is to be done once a year prior to the heating season, anytime the heater is moved from one job location to the next, or after servicing the heater.

## MATERIALS REQUIRED

See the list of materials required as follows, depending on the heater to be checked. Secure these materials through local purchase.

### Quantity Description

1	High Pressure Gas Gauge capable of reading up to 30 PSIG (Use for Workman 225, Norseman 200, and Norseman 250 heaters) OR Low pressure gauge capable of reading up to 35 inches water column (Use for Workman 100 Plus natural gas ONLY)
1	1/8 in. black iron street ell. (Required for Workman 225 Plus heaters ONLY)
1	1/4 in. x 2 in. pipe nipple (Required for Norseman 250 heaters ONLY.)
1	1/4 in. black iron tee (Required for Norseman 250 heaters ONLY)

### A. PREPARATION- ALL HEATERS

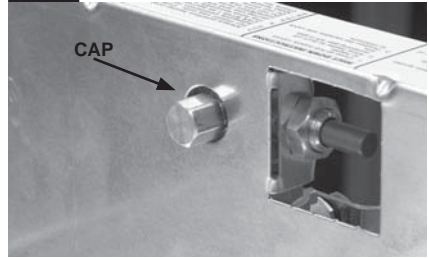
1. Close fuel supply valve at propane gas supply container.
2. Allow heater to burn off gas remaining in it's gas supply line.
3. Allow heater to cool.
4. **Workman 225 Plus:** Position the variable heat valve to its lowest setting.  
**Norseman 200 Plus and Norseman 250:** Close the manual main burner valve.  
**Workman 100 Plus Natural Gas:** Position the knob on the safety control valve to OFF.

### B. GAUGE INSTALLATION

#### Workman 225 Plus:

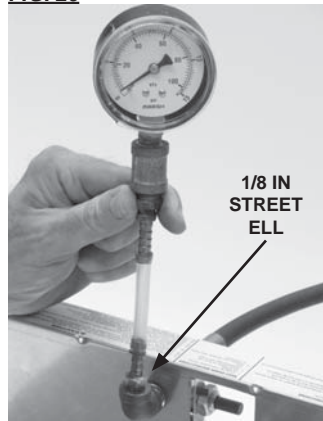
1. Using an wrench, remove the cap from the safety control valve as shown in Fig. 28.

FIG. 28



2. Install a 1/8 in. street ell and pressure gauge at this point. See Fig. 29.

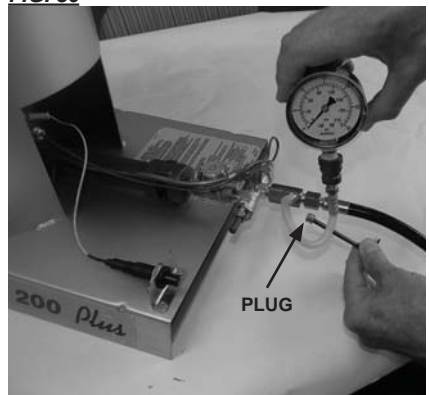
FIG. 29



#### Norseman 200 Plus:

1. Using a 3/16 in. allen wrench, remove the hex plug from valve inlet. See Fig. 30.

FIG. 30



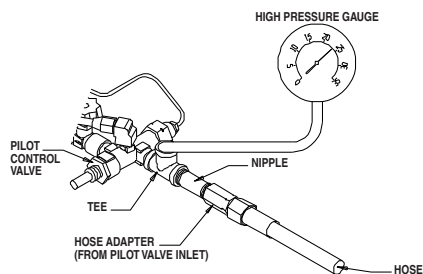


2. Attach the pressure gauge to this point.
3. Open fuel supply valve to heater.

**Norseman 250**

1. Remove hose adapter from inlet of pilot safety control valve.
2. Connect the following materials together in the order as given and tighten securely. See Fig. 31.
  - Tee to inlet of pilot safety control.
  - Nipple to tee.
  - Hose adapter (as removed earlier) to nipple.
  - Gas hose to hose adapter.
3. Connect gauge to tee.
4. Open fuel supply valve to heater.

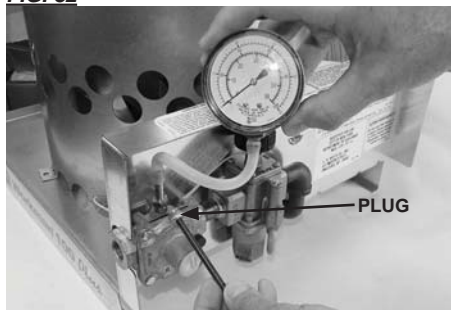
**FIG. 31**



**Workman 100 Plus Natural Gas:**

1. Using a 3/16 in. allen wrench, remove the pressure tap plug at the top on the regulator located on the heater. See Fig. 32.

**FIG. 32**



2. Attach the low pressure (0-35 in. water column) gas gauge to this location.
3. Open the fuel; supply valve to the heater.

**C. READING PRESSURES**

1. Light the heater. With the heater operating, the pressure gauge should read the pressure specified on the dataplate or in the specification section of this owner's manual.
2. Does the pressure reading at the inlet of the safety control agree with that given on the dataplate? If so, no further checking or adjustment is required. Proceed to section D.
3. If the inlet pressures do not agree with that specified on the dataplate, then check the following:
  - Improper regulator for heater.
  - Regulator out of adjustment. (Replace if necessary).
  - Blockage in gas hose.
  - Insufficient size or quantity of propane gas supply containers.

**D. COMPLETION**

1. Once the proper pressure has been confirmed, close fuel supply valves.
2. Allow heater to burn off fuel remaining in gas supply line.
3. **Norseman 250:** Remove gauge, hose adapter, nipple, and tee. Reconnect hose adapter to inlet of safety control valve and hose to hose adapter. **Workman 225 Plus:** Remove gauge and street ell. Reconnect cap to safety control valve. **Norseman 200 Plus, Workman 100 Plus Natural Gas:** Install pressure tap plug on heaters.
4. Tighten all connections securely. Open the fuel supply valve and check for gas leaks with appropriate leak detectors.
5. Light the heater and check for proper operation.



# Troubleshooting

<b>PROBLEM</b>	<b>CAUSE</b>	<b>CURE</b>
1. Burner or pilot will not light.	<ul style="list-style-type: none"> <li>* Propane gas container is empty.</li> <li>* Fuel supply valves closed.</li> <li>* Excess flow valve in P.O.L. fitting on propane regulator is closed.</li> <li>* Safety control button not fully pushed in.</li> <li>* Burner or pilot orifice is plugged.</li> <li>* Restriction in gas hose.</li> <li>* Air in gas line.</li> <li>* Safety control valve is defective.</li> <li>* Defective spark igniter or electrode.</li> </ul>	<ul style="list-style-type: none"> <li>* Fill container.</li> <li>* Open fuel supply valves.</li> <li>* Close propane container valve. Wait 5 minutes and open container's valve slowly.</li> <li>* Push in button completely.</li> <li>* Clean or replace orifice.</li> <li>* Remove hose from heater and blow out with compressed air or replace if necessary.</li> <li>* Push in safety control valve's pilot button (normally 15 -20 seconds is sufficient) on control of gas valve to purge air from line (usually necessary at time of installation).</li> </ul> <p><b>NOTE: Heaters with push button Piezo Igniter:</b> Make sure you are pushing the Piezo igniter button during this time to prevent gas accumulation.</p> <ul style="list-style-type: none"> <li>* Replace safety control valve.</li> <li>* Refer to the igniter and electrode service instruction section for problems associated with these parts.</li> </ul>
2. Burner or pilot lights but will not stay lit when safety control button is released.	<ul style="list-style-type: none"> <li>* Restriction in gas hose.</li> <li>* Insufficient time allowed for thermocouple to heat up.</li> <li>* Loose thermocouple.</li> <li>* Defective thermocouple.</li> <li>* Orifice is plugged</li> <li>* Defective safety control valve.</li> <li>* Improper gas pressure</li> </ul>	<ul style="list-style-type: none"> <li>* See remedy for same cause in Problem #1</li> <li>* Hold in control button for 30 seconds to allow proper warm up.</li> <li>* Tighten thermocouple at gas control. Make sure it is securely pushed into its bracket. Tighten finger tight and snug the contact nut with an appropriate wrench.</li> <li>* Replace the thermocouple</li> <li>* See remedy for same in Problem #1</li> <li>* Replace safety control valve.</li> <li>* Set pressure according to pressure on dataplate.</li> </ul>
3. Burner flame lifting off burner.	<ul style="list-style-type: none"> <li>* Fuel pressure set too high.</li> <li>* Blockages in burner orifice or at primary air inlets of burner.</li> </ul>	<ul style="list-style-type: none"> <li>* Set pressure according to pressure on dataplate</li> <li>* Clean area with soft brush, dry cloth, or compressed air.</li> </ul>
4. Heater not delivering maximum heat output.	<ul style="list-style-type: none"> <li>* Gas supply valves not fully open.</li> <li>* Burner orifice plugged.</li> <li>* Low fuel supply pressure.</li> <li>* WORKMAN 225 PLUS: Variable rate valve not positioned to maximum</li> <li>* NORSEMAN 200 OR NORSEMAN 250: Main burner valve not fully open.</li> </ul>	<ul style="list-style-type: none"> <li>* Open valves completely.</li> <li>* Clean burner orifice with compressed air or replace.</li> <li>* Consult propane gas supplier. Cylinder or tank needs replacement or refill. Regulator needs adjustment. Check for use of proper regulation and fuel gas.</li> <li>* Position the valve to maximum</li> <li>* Open the manual main burner valve completely.</li> </ul>
5. Electrode does not provide spark	<ul style="list-style-type: none"> <li>* Improper spark gap.</li> <li>* Defective electrode or electrode lead.</li> <li>* Defective push button igniter.</li> </ul>	<ul style="list-style-type: none"> <li>* Set spark gap to instructions.</li> <li>* Replace electrode.</li> <li>* Replace igniter</li> </ul>

## Heater Component Function

### **BARREL w/ TOP (CASE)**

Upright sheet metal case component. Acts as a chimney to distribute heat to surrounding area.

### **BASE**

Sheet metal case platform used to support and stabilize burner and barrel assemblies.

### **BURNER**

Component at which combustion of fuel gases takes place.

### **BURNER ORIFICE**

Metering device used to feed gas to burner at a specific rate, with the appropriate pressure.

### **ELECTRODE**

Ignites gas by spark. Receives spark voltage from piezo igniter.

### **GAS HOSE**

Flexible connector used to convey gas from supply line or cylinder to heater.

### **PIEZO IGNITER**

Generates ignition voltage when igniter button is pushed. This voltage is sent to electrode to provide spark.

### **PILOT LIGHT ORIFICE**

A metering device used to supply gas for the dual purpose of igniting the main burner and heating the thermocouple.

### **PILOT TUBE**

Formed copper tube used to convey gas from the safety control valve to the pilot light orifice.

### **REGULATOR**

The heart of any gas supply installation. Used to deliver a working pressure to the appliance under varying conditions in tank pressure.

### **SAFETY CONTROL VALVE**

A gas control valve which is held open by electrical power supplied by the thermocouple and which closes automatically to shut off the flow of gas to the main burner when flame is extinguished or is too small to heat the thermocouple.

### **THERMOCOUPLE**

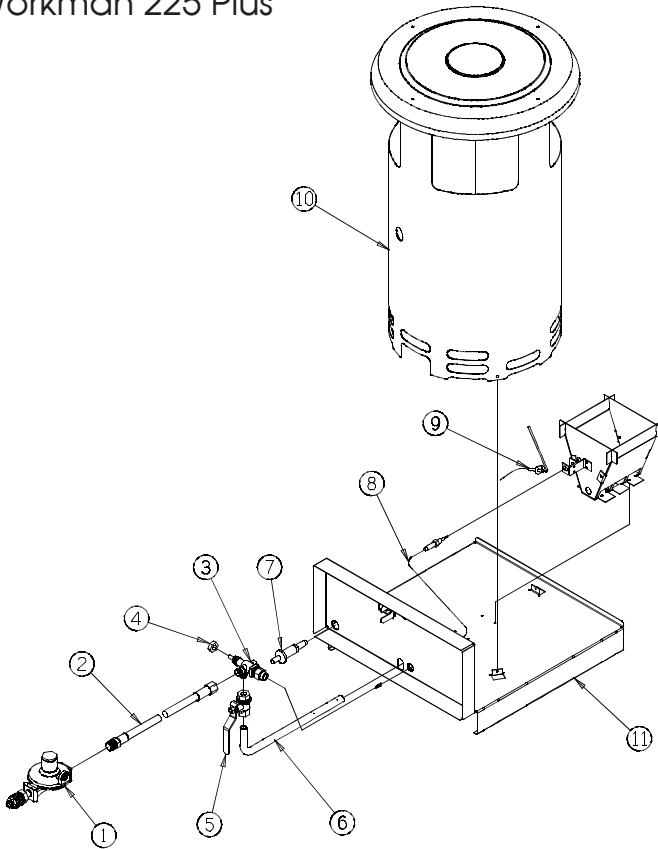
A thermoelectric device that converts heat directly into electrical energy. Works in conjunction with electromagnet in gas control valve thereby assisting in maintaining gas supply for the pilot light.

### **VARIABLE RATE VALVE**

A manually adjusted valve that allows the user to operate the heater from its lowest to highest heat output, or anywhere in-between.

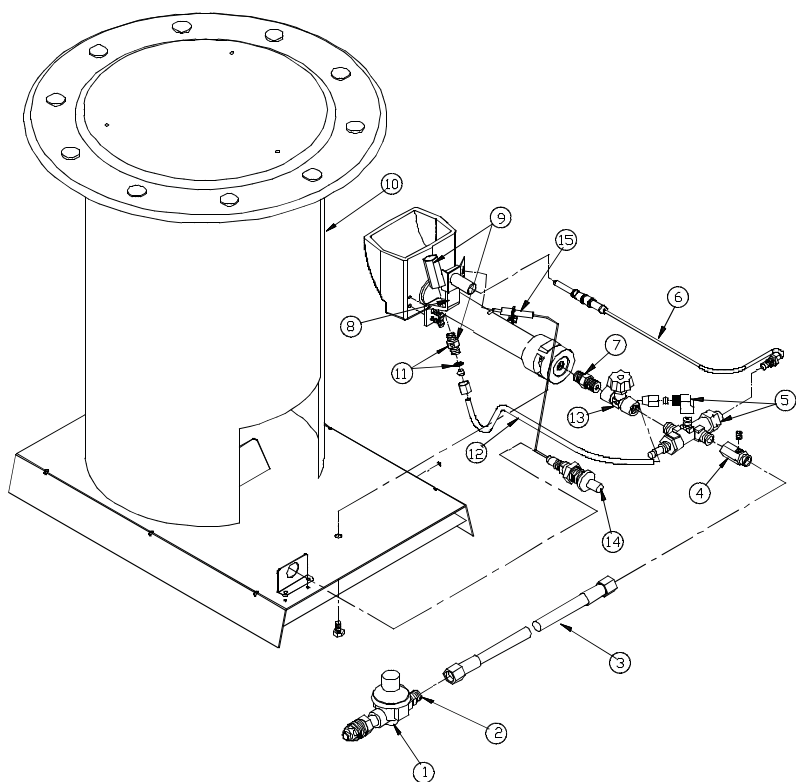
# Service Parts Identification Schematic

## Workman 225 Plus



Item	Description	Part Number
1	Regulator w/POL Fitting	550-23463
2	Hose, 1/4 in. / 15 ft. (4.6 m)	550-20708
3	Valve, Safety Control	572506
4	Nut, Jam	572587
5	Valve, Variable Rate	572507
6	Orifice Manifold	572508
7	Igniter, Piezo	570434
8	Thermocouple	571030
9	Electrode	572509
10	Barrel w/Top	572505
11	Base	572510

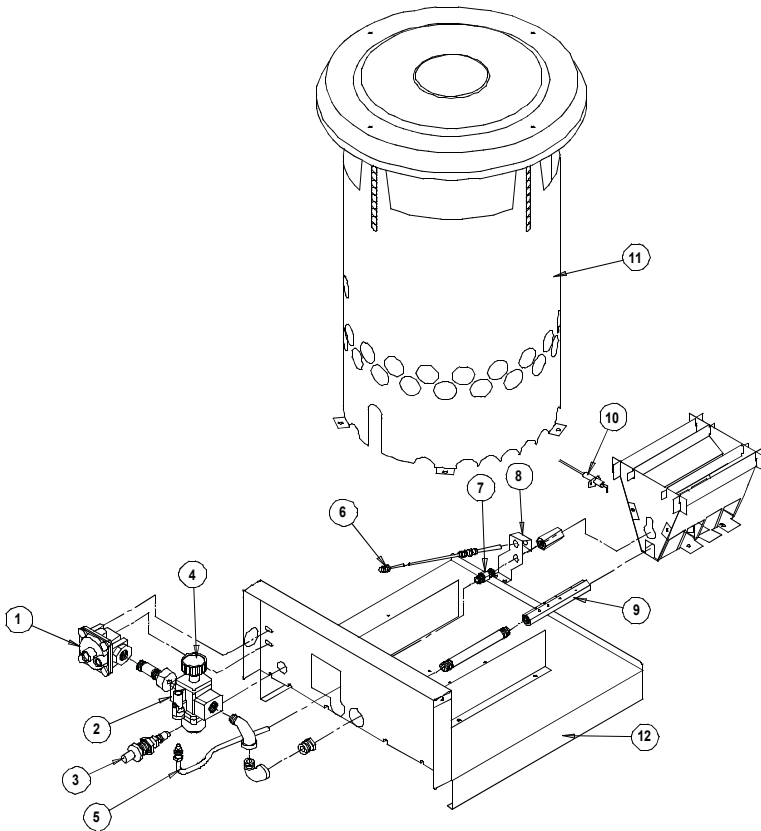
## Service Parts Identification Schematic Norseman 200 Plus and Norseman 250



Item	Description	Part Number
1	Regulator w/POL and Hose Adapter	550-21788
2	Adapter, Hose	500-25790
3	Hose, 1/4 in. x 15 ft. (4.6m)	550-20500
4	Adapter, Hose, w/ Pressure Tap Plug	500-23633
5	Valve, Pilot Safety	500-20356
6	Thermocouple	571823
7	Orifice Burner (Norseman 200 Plus)	571582
	(Norseman 250)	571573
8	Bracket, Pilot (Norseman 200)	571584
	(Norseman 250)	571574

9	Head, Pilot w Orifice	571048
10	Case, Assembly w Labels (Norseman 200 Plus)	500-23373
	(Norseman 250)	500-22338
11	Orifice, Pilot w/Screen	571577
12	Tube, Pilot w/Nuts & Sleeves	520529
13	Valve, Manual Burner	570963
14	Igniter (Norseman 200 Plus)	570434
15	Electrode w/Wire (Norseman 200 Plus)	571068

## Service Parts Identification Schematic Workman 100 Plus Natural Gas



Item	Description	Part Number
1	Regulator, Natural Gas	571528
2	Valve, Pilot Safety Control	573264
3	Igniter w/Nut	570434
4	Knob	573265
5	Tube, Pilot w/Nuts and Sleeves	571515
6	Thermocouple	573713
7	Orifice, Pilot	571557
8	Bracket	571022
9	Orifice, Burner	571580
10	Electrode	571068
11	Barrel w/Top	571505
12	Base	571592



# Warranty Policy

## HEATER

L.B. White Co., Inc. warrants that the component parts of its heater are free from defects in material and workmanship, when properly installed, operated, and maintained in accordance with the Installation and Maintenance Instructions, safety guides and labels contained with each unit. If, within 24 months from the date of purchase by the end user, any component is found to be defective, L.B. White Co., Inc. will at its option, repair or replace the defective part or heater, with a new part or heater, F.O.B., Onalaska, Wisconsin. Registering your product online with L.B.White will automatically qualify a unit and its component parts for warranty consideration. If a product has not been registered with L.B.White, a copy of the bill of sale will be required to establish warranty qualification. If neither is available, the warranty period will be 24 months from date of shipment from L.B. White.

## PARTS

L.B. White Co., Inc. warrants that replacement parts purchased from the company and used on the appropriate L. B. White equipment are free from defects both in material and workmanship for 24 months from the date of purchase by the end user. Warranty is automatic if a component is found defective within 24 months of the date code marked on the part. If the defect occurs more than 24 months later than the date code but within 24 months from the date of purchase by the end user, a copy of a bill of sale will be required to establish warranty qualification.

The warranty set forth above is the exclusive warranty provided by L.B. White, and all other warranties, including any implied warranties or merchantability or fitness for a particular purpose, are expressly disclaimed. In the event any implied warranty is not hereby effectively disclaimed due to operation of law,

such implied warranty is limited in duration to the duration of the applicable warranty stated above. The remedies set forth above are the sole and exclusive remedies available hereunder. L.B. White will not be liable for any incidental or consequential damages directly or indirectly related to the sale, handling or use of the equipment, and in any event L.B. White's liability in connection with the equipment, including for claims based on negligence or strict liability, is limited to the purchase price.

Some states do not allow limitations on how long an implied warranty lasts, so the above limitation may not apply to you. Some states do not allow the exclusion or limitation of incidental or consequential damages, so the above limitation or exclusion may not apply to you. This warranty gives you specific legal rights, and you may also have other rights which vary from state to state.

To register your product and ensure full warranty, go to [http://www.lbwhite.com/customer\\_care\\_center/product-registration/](http://www.lbwhite.com/customer_care_center/product-registration/). Please have the serial number(s) and model(s) handy for the products you are registering.

## Service

Contact your local L.B. White dealer for replacement parts and service. You may also call the L.B. White Co., Inc. at 1-800-345-7200, for assistance, or email us at [customerservice@lbwhite.com](mailto:customerservice@lbwhite.com).

Be sure that you have your heater model number and configuration number when calling.



**WORLD PROVIDER - INNOVATIVE  
HEATING SOLUTIONS**

411 Mason Street, Onalaska, WI 54650  
800-345-7200 • 608-783-5691  
608-783-6115 (fax)

**[www.lbwhite.com](http://www.lbwhite.com)**



**L.B. WHITE****Calefactores  
de convección****verticales**

Workman Estándar

Norseman para Servicio Pesado

<b>320</b>	200.000 Btu/h*/58.6kW	Recuperación
<b>341</b>	250.000 Btu/h*/73.3kW	del vapor de
<b>CV225</b>	225.000 Btu/h*/65.9kW	propano
<b>CV100</b>	100.000 Btu/h*/29.3kW	Gas natural

Para ver este manual en línea, visite [www.lbwhite.com](http://www.lbwhite.com)**Atención**

Los calefactores de los modelos 320, CV225 y CV100 han sido probados y evaluados por CSA Group de conformidad con la norma ANSI Z83.7 • CSA 2.14 y están clasificados y aprobados como calefactores de convección verticales con encendido directo para usar en edificios en construcción en pisos combustibles. Los calefactores del modelo 341 han sido probados y evaluados por L.B. White y no están aprobados para usar en pisos combustibles. Todos los calefactores están diseñados para la calefacción transitoria portátil de edificios en construcción, en renovación o en reparación. Si considera usar este producto para cualquier aplicación no contemplada en sus usos previstos, por favor contáctese con su proveedor de gas combustible o con L.B. White Co., Inc.

**En el presente manual se brindan instrucciones para todos los calefactores de convección verticales fabricados por L.B. White. La información relacionada con un modelo o una configuración de gas en particular está identificada. La información se aplica a todos los modelos a menos que se indique lo contrario.**

[www.lbwhite.com](http://www.lbwhite.com)

**CONSULTE LAS  
INSTRUCCIONES  
DE ARMADO  
EN EL INTERIOR**



*\*Modelos específicos para EE. UU. o Canadá. Consulte la placa de datos del calefactor.*

**¡Felicitaciones!**

Usted acaba de comprar el mejor calefactor de convección.

Su nuevo calefactor L.B. White incorpora los beneficios del fabricante de productos de calefacción más experimentado que emplea tecnología de avanzada.

En L.B. White, le agradecemos la confianza depositada en nuestros productos y serán bien recibidos los comentarios y sugerencias que pueda tener... llámenos sin cargo al 1-800-345-7200.

**ESCANEE ESTE  
CÓDIGO**

con su teléfono inteligente o visite <http://goo.gl/nvneR> para ver los videos de mantenimiento para calefactores L.B. White.\*

*\* Necesita una aplicación como QR Droid para Android o para iPhone*

**PROVEEDOR MUNDIAL - SOLUCIONES DE CALEFACCIÓN INNOVADORAS**411 Mason Street, Onalaska, WI 54650, Estados Unidos • 800-345-7200 • 608-783-5691 • 608-783-6115 (fax) • [www.lbwhite.com](http://www.lbwhite.com)

# ÍNDICE

Especificaciones del calefactor .....	4
Información general.....	5
Precauciones de seguridad .....	6
Instrucciones de instalación	
Información general .....	9
Instalación del quemador, Norseman 200 Plus y Norseman 250 .....	11
Conjunto de manguera y regulador - Calefactores a gas propano .....	11
Conexión del regulador al suministro de gas	
Calefactores a gas propano .....	12
Calefactores a gas natural.....	12
Instrucciones de encendido y apagado	
Workman 225 Plus .....	13
Norseman 200 Plus y Norseman 250.....	14
Workman 100 Plus Gas Natural .....	15
Instrucciones de limpieza .....	16
Instrucciones de mantenimiento.....	17
Instrucciones de servicio .....	18
General .....	18
Workman 225 Plus.....	18
Orificio del quemador y válvula de control de seguridad.....	18
Workman 100 Plus Gas Natural.....	19
Orificio del piloto .....	19
Orificio del quemador .....	19
Válvula de control de seguridad y regulador de gas .....	19
Norseman 200 Plus y Norseman 250 .....	20
Orificio del quemador .....	20
Orificio del piloto .....	20
Válvula de control de seguridad .....	20
Encendedor y electrodo (Workman 225 Plus, Norseman 200 Plus y Workman 100 Plus).....	21
Termocupla (todos los modelos) .....	22
Verificaciones de la presión de gas .....	23
Resolución de problemas.....	25
Función de los componentes del calefactor .....	26
Identificación de piezas	
Esquema de partes y lista de partes	
Workman 225 Plus .....	27
Norseman 200 Plus y Norseman 250.....	28/29
Workman 100 Plus Gas Natural .....	30/31
Política de garantía, piezas de repuesto y mantenimiento.....	32

**ADVERTENCIA GENERAL**

- SI NO SE CONTEMPLAN LAS PRECAUCIONES E INSTRUCCIONES SUMINISTRADAS CON ESTE CALEFACTOR, SE PUEDE PROVOCAR:
  - LA MUERTE
  - QUEMADURAS O LESIONES GRAVES
  - DAÑOS O PÉRDIDAS MATERIALES POR INCENDIO O EXPLOSIÓN
  - ASFIXIA DEBIDO A LA FALTA DE UN SUMINISTRO DE AIRE ADECUADO O ENVENENAMIENTO POR MONÓXIDO DE CARBONO
- LEA DETENIDAMENTE ESTE MANUAL DEL USUARIO ANTES DE INSTALAR O DE USAR ESTE PRODUCTO.
- ESTE CALEFACTOR DEBE SER UTILIZADO O MANTENIDO EXCLUSIVAMENTE POR PERSONAS QUE PUEDAN LEER, COMPRENDER Y SEGUIR LAS INSTRUCCIONES.
- GUARDE ESTE MANUAL DEL USUARIO PARA CONSULTAR Y USAR EN EL FUTURO.
- LOS MANUALES DEL USUARIO Y LAS ETIQUETAS DE REPUESTO ESTÁN DISPONIBLES SIN COSTO. CONSULTE EL SITIO WEB O CONTÁCTESE CON L.B. WHITE AL 1-800-345-7200 PARA SOLICITAR AYUDA.

**ADVERTENCIA**

- DEBERÁ PROVEERSE UNA PRESIÓN DE SUMINISTRO DE GAS APROPIADA A LA ENTRADA DEL CALEFACTOR.
- CONSULTE LA PLACA DE DATOS PARA OBTENER INFORMACIÓN SOBRE LA PRESIÓN DE SUMINISTRO DE GAS ADECUADA.
- LA PRESIÓN DE GAS QUE SUPERE LA PRESIÓN DE ENTRADA MÁXIMA ESPECIFICADA EN LA ENTRADA DEL CALEFACTOR PUEDE PROVOCAR INCENDIOS O EXPLOSIONES.
- LOS INCENDIOS O LAS EXPLOSIONES PUEDEN CAUSAR LESIONES GRAVES, LA MUERTE O DAÑOS AL EDIFICIO.
- LA PRESIÓN DE GAS POR DEBAJO DE LA PRESIÓN DE ENTRADA MÍNIMA ESPECIFICADA EN LA ENTRADA DEL CALEFACTOR PUEDE OCASIONAR UNA COMBUSTIÓN INADECUADA.
- UNA COMBUSTIÓN INADECUADA PUEDE CAUSAR ASFIXIA O ENVENENAMIENTO POR MONÓXIDO DE CARBONO, Y ASÍ OCASIONAR LESIONES GRAVES O LA MUERTE.

**ADVERTENCIA  
PELIGRO DE INCENDIO Y EXPLOSIÓN**

- NO LO USE EN UNA CASA O EN VEHÍCULOS RECREATIVOS.
- LA INSTALACIÓN DE ESTE CALEFACTOR EN UNA CASA O EN UN VEHÍCULO RECREATIVO PUEDE RESULTAR EN UN INCENDIO O UNA EXPLOSIÓN.
- LOS INCENDIOS O EXPLOSIONES PUEDEN OCASIONAR DAÑOS MATERIALES O LA MUERTE.

**ADVERTENCIA****PELIGRO DE INCENDIO, QUEMADURAS, INHALACIÓN Y EXPLOSIÓN**

- MANTENGA LOS COMBUSTIBLES SÓLIDOS A UNA DISTANCIA PRUDENTE DEL CALEFACTOR.
- LOS COMBUSTIBLES SÓLIDOS INCLUYEN PRODUCTOS DE MADERA, PAPEL O PLÁSTICO, MATERIALES DE CONSTRUCCIÓN Y POLVO.
- NO USE EL CALEFACTOR EN ESPACIOS QUE CONTENGAN O PUEDAN CONTENER COMBUSTIBLES VOLÁTILES O EN SUSPENSIÓN EN EL AIRE.
- LOS COMBUSTIBLES VOLÁTILES O EN SUSPENSIÓN EN EL AIRE INCLUYEN GASOLINA, SOLVENTES, DILUYENTE DE PINTURA, PARTÍCULAS DE POLVO, O SUSTANCIAS QUÍMICAS DESCONOCIDAS.
- NO SEGUIR ESTAS INSTRUCCIONES PUEDE PROVOCAR UN INCENDIO O UNA EXPLOSIÓN.
- LOS INCENDIOS O LAS EXPLOSIONES PUEDEN PROVOCAR DAÑOS MATERIALES, LESIONES O LA MUERTE.

**PARA SU  
SEGURIDAD**

No almacene ni use gasolina u otros vapores y líquidos inflamables cerca de este o de cualquier otro artefacto.

**PARA SU  
SEGURIDAD**

Si siente olor a gas:

1. Abra las ventanas.
2. No toque los interruptores eléctricos.
3. Apague toda llama al descubierta.
4. Llame inmediatamente a su proveedor de gas.

**ADVERTENCIA**

RESIDENTES DE CALIFORNIA:

Cuando está en funcionamiento, este calefactor libera químicos, incluido el monóxido de carbono, los cuales el estado de California considera que causan malformaciones congénitas y otros daños reproductivos. Para obtener más información, diríjase a [www.P65Warnings.ca.gov](http://www.P65Warnings.ca.gov)

## Especificaciones

Descripción		Modelo			
		320	341	CV225	CV100
Tipo de combustible		Gas propano	Gas propano	Gas propano	Gas natural
Entrada (Btuh/kW)	MÁX.	200.000/58,6	250.000/73,3	225.000/65,9	100.000/29,3
	MÍN.	N/C	N/C	45.000/13,2	N/C
Presión de suministro de gas de entrada aceptable en la conexión de gas del calefactor (ver nota al pie 1)	MÁX.	23/158,6	23/158,6	10,2/70,3	13,5/3,36
	MÍN.	23/158,6	23/158,6	10,2/70,3	7,0/1,74
Presión del colector del quemador (ver nota al pie 1)		23/158,6	23/158,6	10,0/68,9	5,1/1,27
Consumo de combustible por hora (ver nota al pie 2)	MÁX.	9,28/4,21	11,6/5,26	10,44/4,73	100/2,83
	MÍN.	N/C	N/C	2,08/0,94	N/C
Dimensiones (pulgadas/cm) LxAxAlt		18x13x24/ 46x33x61	18x13x24/ 46x33x61	17x15x26/ 43x38x66	16,5x15x25/ 42x38x64
Distancias prudentes mínimas del calefactor a los materiales combustibles más cercanos (pies/metros)	ARRIBA	5 pies 10 pulg. / 1,77	8,0/2,43	5 pies 10 pulg. / 1,77	5,0/1,52
	LADOS	4,0/1,2			3,0/0,91
	PROPANO	EE. UU.: 6/1,83 Canadá: 10/3,05			N/C

Nota al pie 1: Presiones de gas:

Modelos 320, 341 y CV225: expresadas en PSIG/kPa.  
Modelo CV100: expresadas en pulgadas de columna de agua / kPa

Nota al pie 2: Consumo de combustible:

Modelos 320, 341 y CV225: expresado en libras/kilogramos por hora  
Modelo CV100: expresado en pies cúbicos/metros cúbicos por hora.

## Información general

Cuando llame para solicitar asistencia técnica, o para obtener cualquier otra información específica, siempre tenga disponible el número de modelo, el número de la configuración y el número de serie. Esta información se encuentra en la placa de datos.

Este manual le brindará instrucciones sobre el funcionamiento y el cuidado de su unidad. Pida a su instalador que revise con usted este manual para que usted pueda entender perfectamente el calefactor y su funcionamiento.

Póngase en contacto con su distribuidor de L.B. White local o con L.B. White Co., Inc. para obtener ayuda, o si tiene preguntas sobre el uso del equipo o sobre su aplicación.

L.B. White Co., Inc. tiene una política de mejoramiento continuo del producto. Se reserva el derecho de cambiar especificaciones y diseño sin previo aviso.

## Precauciones de seguridad



### ADVERTENCIA

#### Peligro de asfixia

- No use este calefactor para calefaccionar lugares donde vivan seres humanos, garajes, talleres u otros espacios cerrados similares.
- No lo use en áreas sin ventilación.
- El flujo de aire de ventilación y combustión no debe obstruirse.
- Se deberá proveer aire de ventilación apropiado para mantener los requisitos de aire de combustión del calefactor que se está usando.
- La falta de una cantidad de aire de ventilación apropiada resultará en combustión inadecuada.
- La combustión incorrecta puede producir envenenamiento por monóxido de carbono y lesiones graves o la muerte.  
Los síntomas del envenenamiento por monóxido de carbono pueden incluir dolores de cabeza, mareos y dificultad para respirar.
- Se deberá suministrar aire para ventilación adecuado para la combustión conforme a las normas OSHA 29 CFR 1926.154, Dispositivos de calefacción temporales, ANSI A10.10, Requisitos de seguridad para dispositivos de calefacción temporales y portátiles, o bien al código de instalación de artefactos de gas natural y propano, CAN/CSA B149.1 según corresponda.

## Olor a gas combustible

Al gas propano y al gas natural se les ha agregado odorantes artificiales específicamente para la detección de fugas de gas combustible.

Si se produce una fuga de gas, debería ser capaz de oler el gas combustible. ¡ESA ES LA SEÑAL PARA ACTUAR DE INMEDIATO!

- No haga nada que pueda encender el gas combustible. No mueva ningún interruptor eléctrico. No desenchufe ningún cable de corriente ni alargue. No encienda fósforos ni ninguna otra fuente de fuego. No use su teléfono.
- Haga que todos salgan del edificio y que se alejen del área inmediatamente.
- Cierre todas las válvulas de suministro de combustible.
- El gas propano es más pesado que el aire y podría depositarse en áreas bajas. Cuando usted tenga razón para sospechar que existe una fuga de gas propano, manténgase alejado de todas las áreas bajas.
- Use el teléfono de su vecino, y llame a su proveedor de gas combustible y a su departamento de bomberos. No vuelva a entrar al edificio o al área.
- Permanezca fuera del edificio y alejado del área hasta que la misma haya sido declarada segura por los bomberos y por su proveedor de gas combustible.
- FINALMENTE, deje que el técnico de mantenimiento experto en gas combustible y los bomberos revisen para identificar la pérdida de gas. Haga que ellos ventilen el edificio y el área antes de que usted vuelva a entrar. Técnicos de mantenimiento adecuadamente capacitados deben reparar la fuga, revisar para detectar otras fugas, y volver a encender el calefactor por usted.

## El olor se disipa - No se detecta olor

- Algunas personas no pueden oler bien. Algunas personas no pueden percibir el olor del químico artificial agregado al gas propano o natural. Usted debe determinar si es capaz de sentir el odorante que se agrega a estos gases combustibles.
- Aprenda a reconocer el olor del gas propano y del gas natural. Los vendedores locales de gas propano y su proveedor local de gas natural (empresa de servicio público) estarán más que contentos de proporcionarle un folleto del tipo "raspe y huele". Uselo para familiarizarse con el olor del gas combustible.
- Fumar puede disminuir su capacidad para oler. Estar en contacto con un olor durante un cierto tiempo también podría afectar su sensibilidad a ese olor en particular.
- El odorante existente en el gas propano y el gas natural es incoloro y la intensidad de ese olor puede dispersarse bajo algunas circunstancias.
- Si hay una fuga subterránea, el paso del gas a través del suelo puede filtrar el odorante.
- El olor del gas propano puede diferir en intensidad en distintos niveles. Dado que el gas propano es más pesado que el aire, podría haber más olor en niveles más bajos.
- Siempre tome en serio la más mínima presencia de olor a gas. Si aún detecta algún tipo de olor a gas, no importa lo poco que sea, trátelo como si fuera una fuga seria. Actúe de inmediato tal como se explicó anteriormente.

## ¡Atención - Puntos importantes para recordar!



### **ADVERTENCIA** Peligro de quemaduras

- Altas temperaturas de superficie y de descarga.
- No toque el calefactor ni infrinja la distancia de seguridad mínima indicada en la placa de datos o el manual del usuario.
- Tenga mucho cuidado al encender el calefactor o ajustar los niveles de calor.
- No tener en cuenta esta advertencia puede causar quemaduras o llamas en la vestimenta.
- Las quemaduras causan lesiones graves o la muerte.

- El gas propano tiene un olor característico. Aprenda a reconocer este olor. (Consulte las secciones previas: "Olor a gas combustible" y "El olor se disipa").
- Si usted no ha sido capacitado apropiadamente en la reparación y el mantenimiento de calefactores que emplean gas propano, entonces no intente encender el calefactor, realizar mantenimiento o reparaciones, o hacer ajustes al sistema de combustible del calefactor a gas propano.
- Aunque usted no esté adecuadamente capacitado para el mantenimiento y la reparación del calefactor, SIEMPRE esté bien consciente del olor del gas propano y del gas natural.
- Una prueba de detección activa alrededor del calefactor o en las juntas de este; es decir manguera, conexiones, etc., es una buena práctica de seguridad. Si huele aunque sea una cantidad muy pequeña de gas, **LLAME INMEDIATAMENTE A SU PROVEEDOR DE GAS COMBUSTIBLE.**  
**¡NO ESPERE!**

1. No intente instalar, reparar o arreglar este calefactor o la línea de suministro de gas a menos que haya tenido una capacitación continua por expertos y tenga conocimientos sobre calefactores a gas.

Los requisitos para realizar el mantenimiento y la instalación de este equipo son los siguientes:

- a. Para ser una persona calificada en mantenimiento de calefactores a gas, debe contar con suficiente capacitación y experiencia para manejar todos los aspectos de la instalación, reparación y arreglo de la instalación del calefactor a gas. Esto incluye la tarea de instalación, resolución de problemas, reemplazo de piezas defectuosas y prueba del calefactor. Debe

poder colocar el calefactor en una condición continua de funcionamiento normal y seguro. Debe familiarizarse completamente con cada modelo de calefactor mediante la lectura y el cumplimiento de instrucciones de seguridad, etiquetas, manual del usuario, etc. que se proveen con cada calefactor.

- b. Para ser una persona calificada para hacer instalaciones de gas, usted debe contar con suficiente capacitación y experiencia para manejar todos los aspectos de la instalación, reparación y modificación de líneas de gas, incluidas la selección e instalación del equipo apropiado, y la selección del tamaño adecuado de tubería y tanque que se utilizará. Esto debe realizarse conforme a los códigos locales, estatales y nacionales, además de los requisitos del fabricante.
- c. Norseman 200, Workman 225, Workman 100 NG: En el estado de Massachusetts, estos productos debe instalarlos un instalador de gas autorizado por dicho estado.
2. Todas las instalaciones y aplicaciones de los calefactores de L.B. White deben cumplir con todos los códigos locales, estatales y nacionales. Incluidos los códigos de electricidad, de gas natural y gas PL, y de seguridad Su proveedor local de gas combustible, un electricista local autorizado, el departamento de bomberos local u organismos gubernamentales similares, o su agente de seguros pueden ayudarlo a determinar cuáles son los requisitos de los códigos.

En ausencia de códigos locales, consulte:

- ANSI/NFPA 58, última edición, Norma para el almacenamiento y manipulación de gases licuados de petróleo
- ANSI Z223.1/NFPA 54, Código nacional de gas combustible
- CSA B149.1 Código de instalación de gas natural y propano

3. No se deben utilizar con conductos.
4. No podemos anticipar todos los usos que se le pueden dar a nuestros calefactores. Consulte a la autoridad local de seguridad contra incendios si tiene preguntas sobre las aplicaciones.
5. Existen otras normas que rigen el uso de gases combustibles y productos generadores de calor en aplicaciones específicas. Su autoridad local puede informarle al respecto.
6. Use solamente aire comprimido, un cepillo suave o un paño seco para limpiar el interior del calefactor y sus componentes.

7. Siempre use un compuesto para roscas de tubería aprobado que sea adecuado para el uso con gas propano en las conexiones roscadas.
8. No bloquee las entradas de aire ni las salidas de descarga del calefactor. Si lo hace, podría provocar una combustión inadecuada o daños en los componentes del calefactor, lo que produciría daños materiales.
9. Debe revisarse visualmente el conjunto de la manguera todos los días después de la reubicación del calefactor y cuando esté en uso. Si es evidente una abrasión o desgaste excesivo, o si la manguera está cortada, debe reemplazarse antes de que se ponga el calefactor a funcionar. El conjunto de la manguera debe protegerse de los materiales de construcción y del contacto con superficies calientes durante el uso. El conjunto de manguera de repuesto debe ser el que especifique el fabricante. Vea la lista de piezas.
10. Verifique fugas de gas y el funcionamiento adecuado tras la instalación y cuando se realice la reubicación. Consulte las instrucciones para la verificación de fugas en la sección sobre instalación del presente manual.
11. Este calefactor debe ser inspeccionado por una persona calificada en mantenimiento para determinar que su funcionamiento es correcto antes de cada uso y por lo menos con frecuencia anual.
12. Siempre apague el suministro de gas al calefactor cuando no se use.
13. Si se interrumpe el flujo de gas y se apaga la llama, no vuelva a encender el calefactor hasta estar seguro de que todo el gas que se pudo haber acumulado se haya ido. En cualquier caso, espere por lo menos 5 minutos para volver a encender el calefactor.
14. El tamaño mínimo de cilindro de suministro de gas propano que se debe utilizar es de 100 libras. Cuando use un sistema de suministro con cilindro, el sistema se debe configurar para brindar recuperación de vapor del cilindro en funcionamiento.
15. Cuando se desee guardar el calefactor en interiores, se debe desconectar la conexión entre los cilindros de suministro de gas propano y el calefactor, y se debe extraer los cilindros del calefactor y almacenarlos de conformidad con la Norma para el almacenamiento y la manipulación de gases licuados de petróleo, ANSI/NFPA 58 y el Código de instalación de gas natural y propano, CSA B149.1.
16. Los contenedores de suministro de gas propano tienen roscas hacia la izquierda. Utilice siempre la llave correcta para ajustar o aflojar el adaptador POL en la válvula de suministro del contenedor de gas propano. No use alicates.



## Instrucciones generales de instalación

### **ADVERTENCIA** **Peligro de quemaduras**

Puede causar daños materiales, lesiones graves o la muerte.

1. A fin de evitar la acumulación peligrosa de gas combustible, apague el suministro de gas en la válvula de servicio del artefacto antes de comenzar la instalación y lleve a cabo una prueba de fugas de gas después de realizada la instalación.
2. No fuerce el botón de la válvula de control de seguridad. Use solamente la mano para presionar el botón. Nunca use herramientas. Si el botón no funciona manualmente, el control debe ser reemplazado por un técnico de servicio calificado. El uso de fuerza o un intento de reparación puede provocar un incendio o una explosión.

1. Lea todas las precauciones de seguridad y siga las recomendaciones de L.B. White para instalar este calefactor. Si durante la instalación o la reubicación del calefactor sospecha que una pieza está dañada o defectuosa, llame a un taller de mantenimiento calificado para que la repare o reemplace.
2. Posicione el calefactor correctamente antes de usarlo. Con un nivel, asegúrese de que el calefactor esté instalado en una superficie horizontal, plana, nivelada y estable cuando esté caliente o en funcionamiento, y de conformidad con las distancias mínimas de superficies combustibles, como paredes, pisos o techos. No coloque materiales combustibles en esta zona de distancia de seguridad. Consulte las distancias de seguridad mínimas de los materiales combustibles en la página de especificaciones 4 del presente manual.

### **ADVERTENCIA** **Peligro de incendio**

- Las temperaturas en la base del Norseman 250 (modelo 341) pueden encender los materiales combustibles.
  - Use el calefactor Norseman 250 sobre materiales no combustibles para prevenir el riesgo de incendio.
- De conformidad con OSHA 1926.154: un calefactor no apropiado para usar sobre una superficie combustible se puede utilizar en ese tipo de superficie siempre que se coloque sobre un material aislante y protector del calor adecuado, como hormigón, de un espesor de 1 pulgada (2,54 cm) como mínimo. El material aislante debe extenderse más allá del calefactor 2 pies (0,61 m) o más en todas las direcciones.

### 3. Requisitos para la instalación con gas PL

- Asegúrese de que todos los contenedores de gas PL estén protegidos de las personas, el tránsito vehicular y el contacto.
- Los contenedores de gas PL se deben encontrar en una superficie horizontal, plana, nivelada y estable.
- Los cilindros de gas PL (100 lb/45 kg) deben estar protegidos de caídas.

Consulte a las autoridades locales, los distribuidores de gas PL o los bomberos para conocer detalles sobre la instalación en su zona.

### 4. Posicione el calefactor y la manguera de suministro de gas de modo de protegerlos del tránsito. Proteja las mangueras con un dispositivo apropiado para protegerlas del tránsito y el movimiento, o de otros equipos de construcción.

### 5. El calefactor está aprobado para uso en interiores solamente. Se debe instalar de modo que no esté expuesto directamente a rocío de agua, lluvia o goteo de agua.

### 6. El regulador de presión de gas del calefactor (con la válvula de descarga de presión) debe protegerse de las condiciones climáticas adversas (lluvia, hielo, nieve) como así también de los materiales de construcción (asfalto, hormigón, yeso, etc.) que podrían afectar el funcionamiento seguro y podrían producir daños materiales o lesiones.

### 7. Los calefactores que se utilicen cerca de lonas, telas, plásticos, barreras contra el viento o protecciones similares deben ubicarse al menos a 10 pies (3,05 metros) de dichas protecciones. Las protecciones se deben sujetar firmemente a fin de evitar que se prendan fuego o alteren el funcionamiento del calefactor por la acción del viento sobre la protección u otros materiales.

8. Verifique todas las conexiones en busca de fugas de gas mediante detectores de fugas de gas aprobados. La prueba de fugas de gas se realiza de la siguiente manera:

**⚠ ADVERTENCIA**  
**Peligro de incendio y explosión**

- No utilice llama al descubierto (fósforos, sopletes, velas, etc.) para comprobar si hay fugas de gas.
- Use únicamente detectores de fugas de gas aprobados.
- No seguir esta advertencia puede provocar incendios o explosiones.
- Los incendios o las explosiones pueden producir daños materiales, lesiones o la muerte.

-- Compruebe todas las conexiones de tuberías, conexiones de manguera, conectores y adaptadores contracorriente del control de gas con detectores de fugas de gas aprobados.

-- En caso de que se detecte una fuga de gas, verifique el estado de limpieza de los componentes involucrados y la aplicación adecuada del compuesto de tubería antes de ajustar más.

-- Ajuste las conexiones de gas según sea necesario para detener la fuga.

-- Luego de verificar todas las conexiones y detener las fugas, encienda el quemador principal.

-- Manténgase lejos mientras se enciende el quemador principal para evitar lesiones causadas por fugas escondidas que podrían provocar reignición.

-- Con el quemador principal funcionando, verifique todas las conexiones, conexiones de mangueras, conectores y juntas además de la entrada de la válvula de control de gas y las conexiones de salida con detectores de fugas de gas aprobados.

-- En caso de que se detecte una fuga de gas, verifique el estado de limpieza de las roscas de los componentes involucrados y la aplicación adecuada del compuesto de tubería antes de ajustar más.

-- Ajuste la conexión de gas según sea necesario para detener la fuga.

-- Si fuera necesario, reemplace las piezas o componentes pertinentes si no puede detenerse la fuga.

-- Asegúrese de que todas las fugas sean identificadas y reparadas antes de proceder.

9. Un taller de mantenimiento calificado debe inspeccionar el calefactor antes de cada uso y por lo menos con frecuencia anual.

10. Encienda según las instrucciones que se encuentran en el calefactor o en el manual del usuario.

11. Compruebe que el calefactor cuente con el regulador de gas adecuado para la aplicación. Se debe conectar un regulador al suministro de gas de modo que la presión de gas en la entrada a la válvula de gas esté regulada dentro del rango especificado en la placa de datos en todo momento. Comuníquese con su proveedor de gas o con L.B. White Co., Inc. si tiene alguna pregunta.

12. Este calefactor está configurado para usar con recuperación del vapor de propano exclusivamente. Consulte la configuración de gas del calefactor específico en la placa de datos. No use el calefactor en un sistema o aplicación de recuperación de líquido de propano. En caso de duda, comuníquese con L.B. White Co., Inc.

13. Tómese el tiempo para aprender a operar y mantener el calefactor con el manual del usuario. Asegúrese de que conoce cómo cerrar el suministro de gas al edificio y también al calefactor individual. Contáctese con su proveedor de gas combustible si tiene alguna duda.

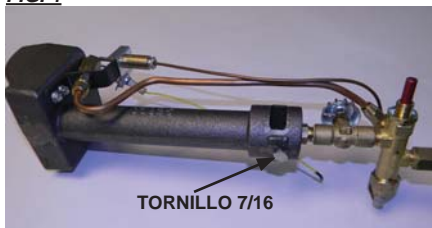
14. Cualquier defecto que halle en la realización de alguno de los procedimientos de mantenimiento debe eliminarse y las partes defectuosas deben reemplazarse de inmediato. El calefactor debe ser probado nuevamente por personal de servicio calificado antes de volver a ponerlo en uso.

## Instalación del quemador

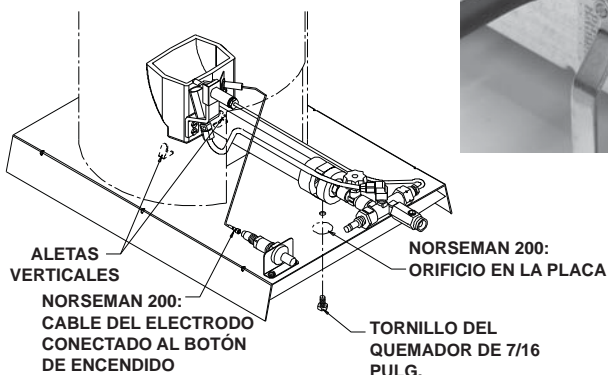
### Norseman 200 Plus y Norseman 250

1. Extraiga el tornillo de cabeza hexagonal 7/16 de la parte inferior del quemador prearmado. Vea la Fig. 1.
  2. Instale el conjunto del quemador dentro del conjunto de la caja del calefactor. Vea la Fig. 2.
  - a. El cabezal del quemador debe estar ubicado entre las aletas verticales en la base del calefactor.
  - b. Alinee el orificio roscado de la pieza fundida del quemador (anteriormente ocupado por el perno de cabeza hexagonal) con el orificio de montaje de la base.
  - c. Con una llave para tuercas de 7/16 pulg. o llave de trinquete de 7/16 pulg., ajuste el conjunto del quemador a la base con el tornillo que extrajo en el paso 1.
3. Calefactores Norseman 200: Empuje el terminal hembra del cable del electrodo sobre el terminal macho del botón de encendido. Vea la Fig. 2.

**FIG. 1**



**FIG. 2**



## Conjunto de manguera y regulador

### Calefactores a gas propano

1. Aplique una pequeña cantidad de sellador para roscas de tubos en las roscas de la conexión de manguera rígida. Conecte este extremo a la salida del regulador. Vea la Fig. 3. Ajuste bien. Se muestra Workman 225.
2. Conecte el extremo opuesto de la manguera con una tuerca a la válvula de control de seguridad del calefactor. Vea la Fig. 4. Ajuste bien. (Se muestra Workman 225 Plus).

**FIG. 3**



**FIG. 4**



#### NOTA:

Los calefactores Norseman 200 y Norseman 250 usan una manguera con tuercas basculantes en ambos extremos.

- Conecte un extremo a la válvula de control de seguridad del calefactor.
- Conecte el extremo opuesto al adaptador de manguera de la salida del regulador.

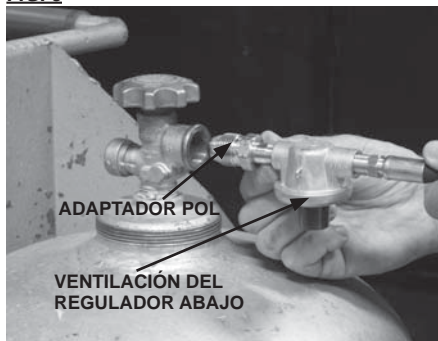
## Conexión del regulador al suministro de gas

### Calefactores a gas propano (Workman 225 Plus, Norseman 200 Plus y Norseman 250)

1. Quite la tapa protectora del adaptador POL. No desarte la tapa. Posicione el regulador como se muestra para proteger la ventilación, o coloque una tapa de protección sobre el regulador y la válvula del cilindro.
2. Inserte el adaptador POL en la válvula de suministro de propano. Vea la Fig. 5. Enrosca la tuerca en el adaptador en el sentido contrario a las agujas del reloj en la válvula de suministro de propano. Ajuste la tuerca con una llave.

-- Cuando almacene o transporte el calefactor, asegúrese de que la tapa se empuje sobre el adaptador POL para prevenir daños e impedir el ingreso de suciedad al regulador.

**FIG. 5**



### Calefactores a gas natural (Workman 100 Plus Gas Natural)

-- Conecte la línea de suministro de gas apropiada a la entrada del regulador ubicada en el calefactor. Vea la Fig. 6. Este regulador toma una presión de entrada de 13,5 pulg. de columna de agua (3,36 kPa) máxima o una presión de entrada mínima de 7,0 pulg. de columna de agua (1,74 kPa). El regulador reduce la presión de entrada a 5,1 pulg. de columna de agua (1,27 kPa) para el funcionamiento.

**Para presiones de entrada superiores a 13,5 pulg. de columna de agua (3,36 kPa), se necesitará un regulador adicional aguas arriba del regulador del calefactor para reducir la presión a la presión de entrada requerida.**

**FIG. 6**



## Instrucciones de encendido

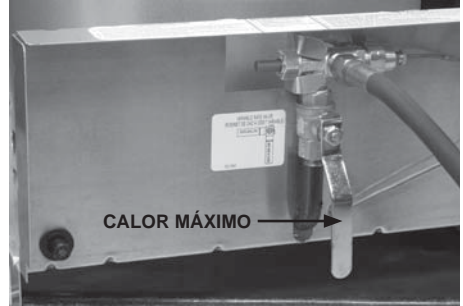
### Workman 225 Plus



#### **ADVERTENCIA** **Peligro de quemaduras**

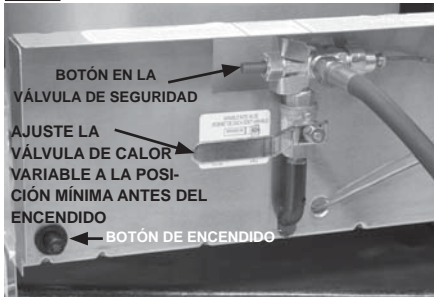
- Antes del encendido, asegúrese de que la válvula de calor variable del calefactor esté posicionada en la potencia calorífica mínima. Vea la Fig. 7.
- De lo contrario, el quemador principal se encenderá a la potencia calorífica máxima.
- Se pueden producir lesiones graves o la muerte por quemaduras.

**FIG. 8**



1. Abra lentamente la válvula del contenedor de suministro de gas propano. (Esto previene el bloqueo de la válvula de control de flujo excesivo interna del adaptador POL del regulador).
2. Presione completamente el botón de la válvula de control de seguridad mientras presiona el botón de encendido. El quemador se encenderá. Vea la Fig. 7.

**FIG. 7**



- En las instalaciones nuevas, puede llevar un tiempo breve que el gas purgue todo el aire antes de que se encienda el quemador.
3. Mantenga el botón de la válvula presionado por aproximadamente 30 segundos para permitir que la termocupla se caliente.
  4. Suelte el botón de la válvula de control de seguridad.
  5. Cuando el quemador esté encendido, la válvula de calor variable se puede posicionar en cualquier ajuste, de calor mínimo a máximo. Vea la Fig. 8.

## Instrucciones de apagado

1. Cierre la válvula del contenedor de suministro de gas propano.
2. Permita que el calefactor quemé el gas combustible que queda en la línea de suministro de gas.
3. Posicione la válvula de calor variable en la posición de calor mínimo.
4. Desconecte el calefactor de su suministro de gas.

## Instrucciones de encendido

### Norseman 200 Plus y Norseman 250

#### **⚠ ADVERTENCIA** Peligro de quemaduras

- Antes del encendido, asegúrese de que la válvula manual del quemador principal esté completamente cerrada. Vea la Fig. 9.
- De lo contrario, el quemador principal se encenderá a la potencia calorífica máxima.
- Se pueden producir lesiones graves o la muerte por quemaduras.

1. Abra lentamente la válvula del contenedor de suministro de gas propano.  
(Esto previene el bloqueo de la válvula de control de flujo excesivo interna del adaptador POL del regulador).

#### 2. Norseman 200 Plus:

Presione completamente el botón de la válvula de control de seguridad del piloto mientras presiona el botón de encendido.

#### Norseman 250:

Aplique una llama al conjunto del piloto. Luego presione el botón de la válvula de control de seguridad para encender el piloto.

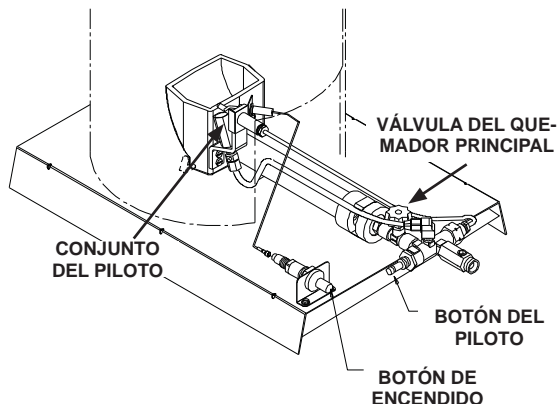
- En las instalaciones nuevas, puede llevar un tiempo breve que el gas purgue todo el aire antes de que el piloto se encienda y se mantenga encendido.

3. Cuando se haya encendido la llama del piloto, mantenga el botón del piloto presionado por aproximadamente 30 segundos para permitir que la termocupla se caliente.

4. Suelte el botón de la válvula de control de seguridad.

5. Abra lentamente la válvula manual del quemador principal entre el quemador y el control de seguridad del piloto.

**FIG. 9**



## Instrucciones de apagado

A. Para apagar el calefactor correctamente después del uso normal, o cuando se espera que se siga utilizando:

-- Cierre la válvula manual del quemador principal del calefactor.  
El piloto se mantendrá encendido.

B. Para apagar el calefactor correctamente para almacenamiento, o cuando no se espera que se siga utilizando:

1. Cierre la válvula del contenedor de suministro de gas propano. Permita que el calefactor queme el gas que queda en la manguera.

2. Cierre la válvula manual del quemador principal del calefactor.

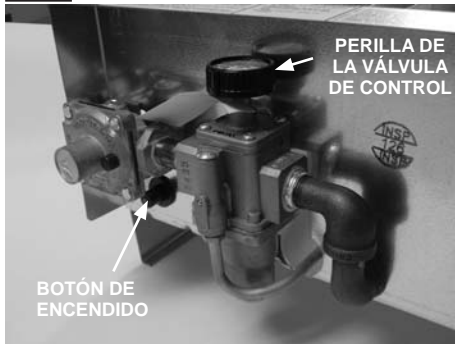
3. Desconecte el calefactor de su suministro de gas.

## Instrucciones de encendido

### Workman 100 Plus Gas Natural

1. Siga las instrucciones en la perilla de la válvula de control de seguridad para encender:
    - Gire la perilla en el sentido contrario a las agujas del reloj de la posición OFF a PILOT.
    - Presione completamente la perilla mientras presiona de manera repetida el botón de encendido.
- Mantenga la perilla presionada en la posición PILOT por aproximadamente 30 segundos para permitir que la termocupla se caliente.
- En las instalaciones nuevas, puede llevar un tiempo breve que el gas purgue todo el aire antes de que el piloto se encienda y se mantenga encendido.
- Suelte la perilla de la válvula de control de seguridad.
  - Gire la perilla en el sentido contrario a las agujas del reloj a la posición ON. El quemador principal se encenderá.

**FIG. 10**



## Instrucciones de apagado

- A. Para apagar el calefactor correctamente después del uso normal, o cuando se espera que se siga utilizando:
  - Gire la perilla de la válvula de control de seguridad del piloto a la posición PILOT. El quemador principal se apagará, pero la llama del piloto permanecerá encendida.
- B. Para apagar el calefactor correctamente para almacenamiento, o cuando no se espera que se siga utilizando:
  1. Cierre la válvula de suministro de combustible.
  2. Permita que el calefactor quemé el gas combustible que queda en la línea de suministro de gas.
  3. Presione levemente la perilla de la válvula de control de seguridad y gírela en el sentido de las agujas del reloj a la posición OFF.
  4. Desconecte el calefactor de su suministro de gas.

## Instrucciones de limpieza

### ADVERTENCIA

#### **Peligro de incendio, quemaduras y explosión**

- Este calefactor contiene componentes mecánicos en los sistemas de gestión del gas y seguridad.
- Tales componentes pueden dejar de funcionar o fallar debido a la acumulación de polvo, suciedad, desgaste y antigüedad.
- La limpieza e inspección periódicas, así como un mantenimiento adecuado, son fundamentales para prevenir lesiones graves o daños materiales.

1. Antes de limpiar, cierre todas las válvulas de suministro de gas.
2. Se debe quitar el polvo o la suciedad del calefactor periódicamente:
  - a. Antes de cada uso, realice una limpieza general del calefactor aplicando aire comprimido, un cepillo suave o un paño seco a la caja y los componentes internos.
  - b. Realice una limpieza profunda del calefactor por lo menos una vez al año. Cuando la haga, limpie el quemador y los componentes relacionados con un cepillo o mediante soplado.

### ADVERTENCIA

No use una lavadora a presión, agua ni una solución limpiadora en ningún control de gas. El uso de una lavadora a presión, agua y una solución de limpieza líquida en los componentes de control puede causar lesiones graves o daños materiales a causa del agua y/o los líquidos:

\* En las válvulas de control de gas, pueden causar corrosión, que a su vez puede ocasionar fugas de gas e incendios o explosiones por las fugas.

Limpie todos los componentes del calefactor con aire a presión, un cepillo seco o un paño seco.



# Instrucciones de mantenimiento

## ANTES DE CADA USO:

1. Asegúrese de que el área cercana al calefactor esté libre de materiales combustibles, gasolina, y otros líquidos y vapores inflamables.
2. Inspeccione la manguera de gas. Si encuentra mellas o cortes, reemplácela de inmediato.
3. En el caso de calefactores con botón de encendido, asegúrese de que el cable del encendedor al electrodo esté en buen estado, sin mellas ni cortes. Si encuentra algún defecto, reemplace el electrodo (viene con cable).
4. Verifique si hay fugas de gas con un detector de fugas aprobado.
5. Verifique la legibilidad de todas las indicaciones del calefactor (es decir, advertencias, puesta en marcha, apagado, etc.) en el momento del mantenimiento. Asegúrese de que no estén cortadas, rasgadas ni de otro modo dañadas. Comuníquese de inmediato con L.B. White Co., Inc. para reemplazar las marcas dañadas. Las placa de datos, las advertencias y las instrucciones de encendido y apagado se entregan sin costo.
6. Asegúrese de que el regulador sea apropiado para el calefactor utilizado. Los reguladores se ajustan a distintas presiones según los requisitos de diseño del calefactor. Si el regulador no es apropiado, el calefactor puede sufrir una combustión demasiado alta o demasiado baja, y producir hollín, altos niveles de monóxido de carbono o daños al calefactor y el área circundante. En caso de duda, comuníquese con L.B. White Co.
7. Inspeccione el regulador para asegurarse de que la ventilación esté libre de obstrucciones. Los residuos, insectos, nidos de insectos, el asfalto, la nieve o el hielo depositados o acumulados en un regulador pueden obstruir las ventilaciones y causar presión excesiva en el calefactor.

## ANUALMENTE:

1. Los reguladores se pueden desgastar y pueden no funcionar adecuadamente. Pida a su proveedor de gas que verifique los códigos de fecha que figuran en todos los reguladores instalados y las presiones que llegan al artefacto para asegurarse de que el regulador sea confiable.

## Instrucciones de servicio

### **ADVERTENCIA** Peligro de quemaduras

- Las superficies del calefactor quedan calientes durante un tiempo luego de que se apaga.
- Deje que el calefactor se enfríe antes de realizar tareas de mantenimiento o limpieza.
- No tener en cuenta esta advertencia podría causar quemaduras.

### **ADVERTENCIA** Peligro de incendio y explosión

- No desarme ni intente reparar ningún componente del calefactor ni los componentes del tren de gas, tales como válvulas o mangueras.
- Todas las piezas componentes deben reemplazarse si se hallasen defectuosas.
- No seguir esta advertencia puede ocasionar incendios o explosiones que produzcan daños materiales, lesiones o la muerte.

1. Cierre la válvula de suministro de combustible al calefactor antes de realizar el mantenimiento.
2. Desconecte la termocupla de la válvula de control de seguridad cuando realice servicio en la válvula de control de seguridad del piloto o el orificio del quemador.
3. **Workman 225 Plus y Workman 100 Plus NG:** Quite el barril del calefactor para acceder a los componentes relacionados con el quemador.

#### **Norseman 200 Plus y Norseman 250:**

Extraiga el tornillo de sujeción del quemador de 7/16 pulg. de la parte inferior de la caja y quite el quemador de la caja cuando realice el servicio de sus componentes.

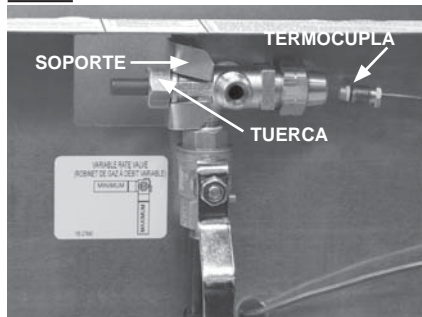
4. Desconecte la manguera de gas si es necesario para el procedimiento de servicio.
5. Para volver a armar, invierta el procedimiento de mantenimiento respectivo. Asegúrese de ajustar bien las conexiones de gas y detectar cualquier fuga antes de encender el calefactor.
6. Limpie el orificio del calefactor con aire comprimido o un paño suave y seco. No use limas, taladros, etc., ya que pueden agrandar los orificios y causar problemas de combustión o llamas del quemador que sobrepasen el barril de la caja. Reemplace el componente si los orificios no pueden limpiarse adecuadamente.

### WORKMAN 225 PLUS

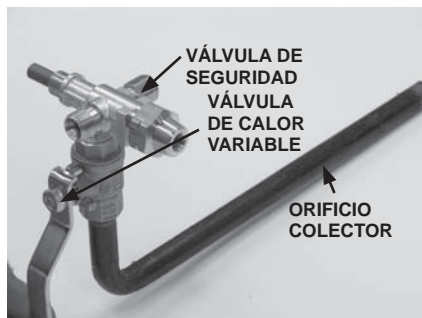
#### Orificio/colector del quemador y válvula de control de seguridad. Vea las Fig. 11 y 12.

1. Enderece las aletas del soporte de montaje y extraiga la termocupla de la válvula de control de seguridad.
2. Quite la tuerca que ajusta la válvula de control de seguridad a su soporte de montaje.
3. Extraiga el control de seguridad con el colector del calefactor.
4. Reemplace o limpie los componentes según sea necesario.

**FIG. 11**

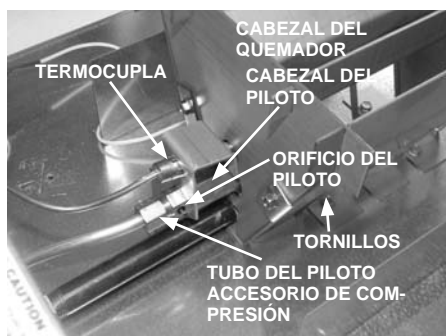


**FIG. 12**



**WORKMAN 100 PLUS GAS NATURAL****Orificio del piloto**

1. Quite la termocupla del soporte de montaje y afloje el accesorio de compresión de la línea del piloto. Vuelva a posicionar la línea del piloto lejos del orificio del piloto con cuidado.
2. Extraiga los tornillos que fijan el cabezal del quemador a la base del calefactor. Vea la Fig. 13.
3. Deslice el cabezal del quemador fuera de la base para exponer los orificios del piloto y el quemador.

**FIG. 13**

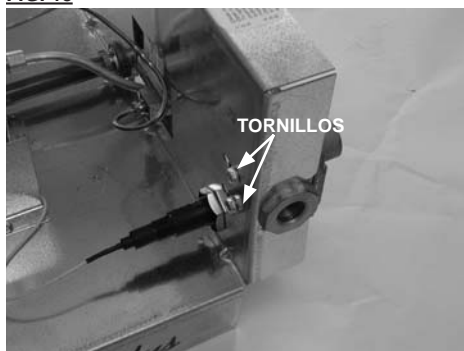
4. Cuando haya hecho a un lado el cabezal del quemador, use llaves apropiadas para sostener el cabezal del piloto en su lugar mientras extrae el orificio del piloto.

**Orificio del quemador:**

-- Siga los pasos del 1 al 3 anteriores. Sostenga el niple de tubo entre la válvula de control de seguridad y el orificio del quemador con una llave de tubo mientras extrae el orificio del quemador con una llave fija o ajustable apropiada. Vea la ubicación del niple de tubo y el orificio del quemador en la Fig. 14.

**FIG. 14****Válvula de control de seguridad y regulador de gas:**

1. Extraiga los dos tornillos de cabeza hexagonal que fijan el regulador al panel vertical en el calefactor. Vea la Fig. 15.

**FIG. 15**

2. Afloje el accesorio de compresión del tubo del piloto en la válvula de control de seguridad y vuelva a posicionar el tubo del piloto lejos de la válvula de control de seguridad con cuidado. Vea la Fig. 16.

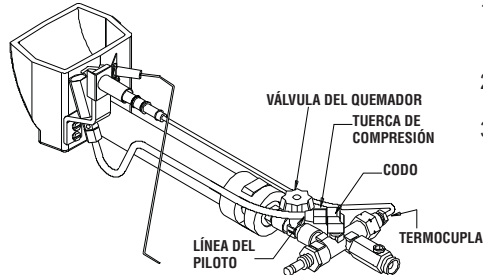
**FIG. 16**

3. Afloje la tuerca del conector de la termocupla en la válvula de control de seguridad.
4. Extraiga del calefactor el conjunto completo de regulador/válvula de control de seguridad/orificio del quemador. Desarme lo que sea necesario para reemplazar la válvula.

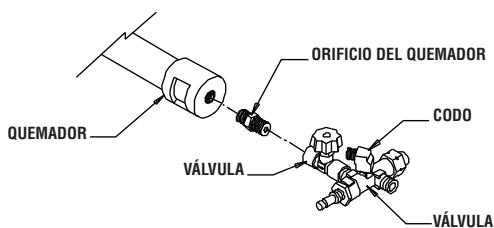
### NORSEMAN 200 PLUS Y NORSEMAN 250 Orificio del quemador (vea la Fig. 17)

1. Desconecte la tuerca de compresión del codo de latón y la termocupla de la válvula de control del piloto.
2. Vuelva a posicionar la línea del piloto y la termocupla lejos de la válvula de control de seguridad con cuidado.
3. Desarme lo siguiente:
  - Control del piloto con válvula manual del orificio del quemador.
  - Orificio del quemador de la pieza fundida del quemador.
4. Limpie el orificio del quemador.

**FIG. 17**



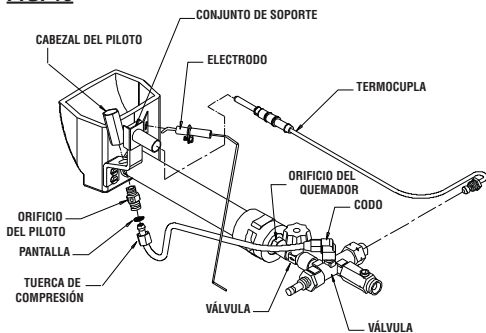
**FIG. 18**



### Orificio del piloto (vea la Fig. 19)

1. Afloje la tuerca de compresión en el orificio del piloto y vuelva a posicionar el tubo del piloto lejos del orificio con cuidado.
2. Quite el orificio del piloto del cabezal del piloto, y la pantalla de la entrada del orificio.
3. Asegúrese de que el orificio no esté obstruido.

**FIG. 19**



### Válvula de control de seguridad (vea la Fig. 18)

1. Quite la línea del piloto de la válvula de control de seguridad.
2. Quite la termocupla en el control de seguridad.
3. Afloje el control de seguridad de la válvula manual del quemador.

**ENCENDEDOR Y ELECTRODO****Workman 225 Plus, Norseman 200 Plus y Workman 100 Plus NG**

El servicio del encendedor y el electrodo es necesario cuando no se observa chispa en el electrodo al presionar el botón de encendido. Esto puede deberse a un uso intensivo durante un período largo o a la acumulación de polvo y suciedad.

Si no ve que se genera una chispa en el electrodo, verifique lo siguiente:

**A. Encendedor**

1. Extraiga el cable del botón de encendido.
2. Coloque la punta de un destornillador aproximadamente a 1/8 pulg. del encendedor. Vea la Fig. 20.
3. Sosteniendo el destornillador por el mango, presione el botón de encendido varias veces. Si no se ve una chispa, reemplace el encendedor. Si se ve una chispa, proceda al servicio del electrodo.

**FIG. 20****B. Electrodo**

1. Asegúrese de que el cable entre el electrodo y el encendedor esté bien conectado.
2. Verifique que el cuerpo aislante del electrodo no esté agrietado y que la varilla del electrodo no se mueva dentro del cuerpo. Vea la Fig. 21. De lo contrario, reemplace el electrodo.
3. Verifique que el cable no tenga mellas, cortes ni daños. Las mellas o los cortes impedirán la generación de chispa en la punta del electrodo. Reemplace el electrodo si fuera necesario. El electrodo se entrega con el cable.
4. La brecha de la punta del electrodo puede ser distinta según el modelo de calefactor. Compruebe que la posición sea correcta.

**Workman 225 Plus:** Vea la Fig. 22.

**Workman 100 Plus Gas Natural:** Vea la Fig. 23

**Norseman 200 Plus:** Vea la Fig. 24, página 22.

Limpie el electrodo con tela de lija o virulana.

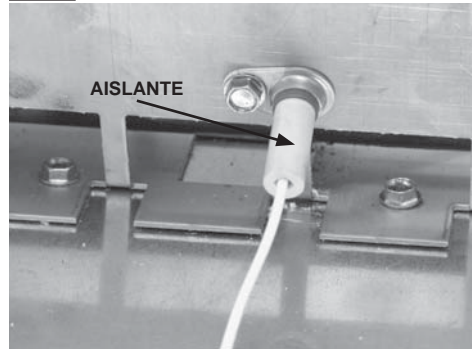
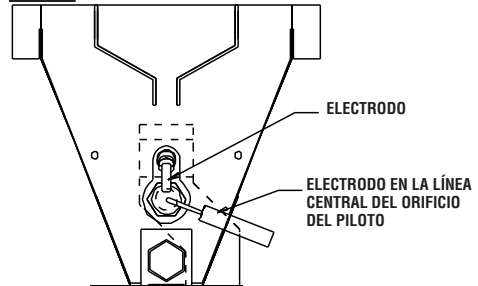
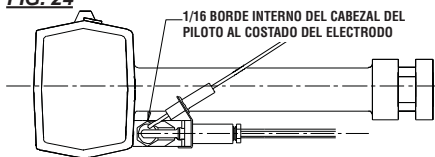
**FIG. 21****FIG. 22****FIG. 23**

FIG. 24



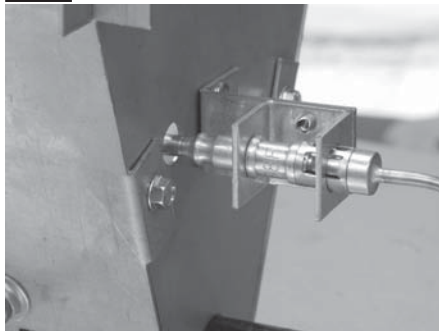
### TERMOCUPLA - TODOS LOS MODELOS

Puede ser necesario reemplazar la termocupla si el quemador se apaga después de dejar que la termocupla se caliente durante un tiempo prolongado.

#### 1. Workman 225 Plus y Workman 100 Plus

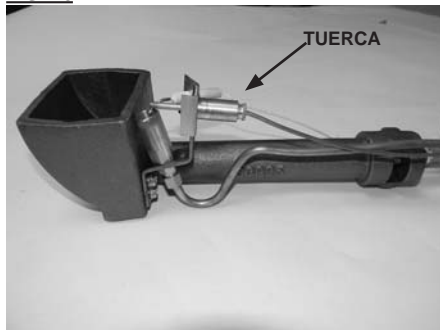
**Gas Natural:** Tire de la termocupla para desenganchar el clip de montaje del soporte. Vea la Fig. 25; se muestra Workman 225 Plus.

FIG. 25



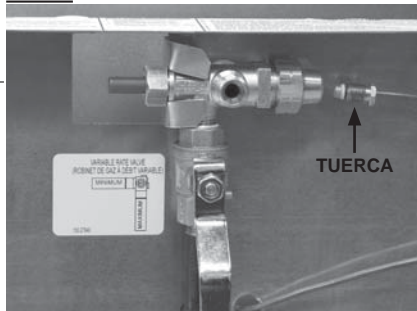
2. **Norseman 200 Plus y Norseman 250:** Use una llave y afloje la tuerca de sujeción en el conjunto del piloto. Vea la Fig. 26; se muestra Norseman 200 Plus.

FIG. 26



3. Afloje la tuerca del conector de la termocupla que está enroscada en la válvula de control de seguridad. Vea la Fig. 27; se muestra Workman 225 Plus. Quite la termocupla.

FIG. 27



- En el caso de termocuplas que emplean un clip de montaje, asegúrese de que la termocupla esté completamente presionada dentro del soporte al reemplazar. De lo contrario, se producirá un corte del quemador.
- Al conectar la termocupla a la válvula de control de seguridad, enrósquela manualmente y luego ajústela en su lugar con una llave.

Para determinar si la termocupla es defectuosa:

Conecte un ohmímetro entre los extremos de la termocupla.

- Una termocupla en buen estado presentará cierto nivel de resistencia de extremo a extremo.
- Una termocupla defectuosa presentará un circuito abierto en el ohmímetro.

## VERIFICACIONES DE LA PRESIÓN DE GAS

- Este procedimiento se debe realizar una vez al año antes de la temporada de calefacción, cada vez que el calefactor se traslade de una obra a la siguiente, o después de realizar el servicio del calefactor.

### MATERIALES NECESARIOS

Consulte a continuación la lista de materiales que se requieren según el calefactor. Adquiera estos materiales a nivel local.

#### Cantidad Descripción

- |   |  |
|---|--|
| 1 | Manómetro para gas de alta presión con capacidad para leer hasta 30 PSIG (para calefactores Workman 225, Norseman 200 y Norseman 250)                      |
| O | Manómetro para gas de baja presión con capacidad para leer hasta 35 pulgadas de columna de agua (SOLAMENTE para calefactores Workman 100 Plus Gas Natural) |
| 1 | Codo de hierro negro de 1/8 pulg. (SOLAMENTE para calefactores Workman 225 Plus)   |
| 1 | Niple de tubo de 1/4 pulg. x 2 pulg. (SOLAMENTE para calefactores Norseman 250)  |
| 1 | Conector en T de hierro negro de 1/4 pulg. (SOLAMENTE para calefactores Norseman 250)  |

#### A. PREPARACIÓN - TODOS LOS CALEFACTORES

1. Cierre la válvula de suministro de combustible en el contenedor de suministro de gas propano.
2. Permita que el calefactor quemé el gas que quede en la línea de suministro de gas.
3. Deje que el calefactor se enfríe.

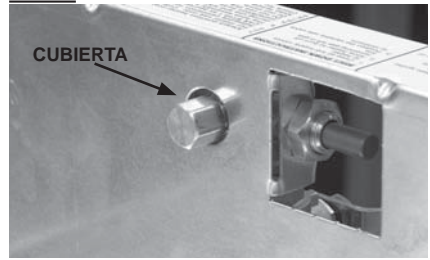
4. **Workman 225 Plus:** Posicione la válvula de calor variable en el ajuste más bajo.  
**Norseman 200 Plus y Norseman 250:** Cierre la válvula manual del quemador principal.  
**Workman 100 Plus Gas Natural:** Posicione la perilla de la válvula de control de seguridad en OFF.

#### B. INSTALACIÓN DE LOS MANÓMETROS

##### Workman 225 Plus:

1. Con una llave, quite la tapa de la válvula de control de seguridad como se muestra en la Fig. 28.

FIG. 28



2. Coloque un codo de 1/8 pulg. y manómetro en este punto. Vea la Fig. 29.

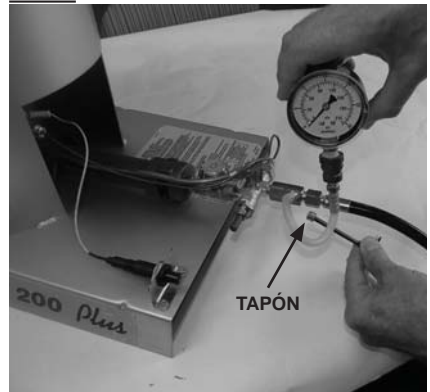
FIG. 29



##### Norseman 200 Plus:

1. Con una llave allen de 3/16 pulg., extraiga el tornillo hexagonal de la entrada de la válvula. Vea la Fig. 30.

FIG. 30



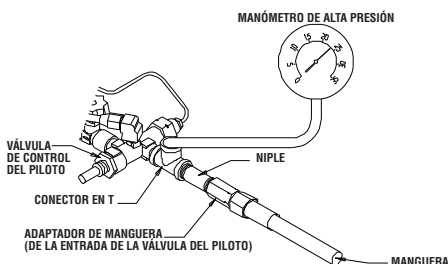


2. Conecte el manómetro en este punto.
3. Abra la válvula de suministro de combustible al calefactor.

**Norseman 250**

1. Quite el adaptador de manguera de la entrada de la válvula de control de seguridad del piloto.
2. Conecte los siguientes materiales entre sí en el orden indicado y ajústelos bien. Vea la Fig. 31.
  - El conector en T a la entrada de la válvula de control de seguridad del piloto.
  - El niple al conector en T.
  - Adaptador de manguera (que se quitó anteriormente) al niple.
  - Manguera de gas al adaptador de manguera.
3. Conecte el manómetro al conector en T.
4. Abra la válvula de suministro de combustible al calefactor.

**FIG. 31**



**Workman 100 Plus Gas Natural:**

1. Con una llave allen de 3/16 pulg., quite el tapón de presión de la parte superior del regulador que se encuentra en el calefactor. Vea la Fig. 32.

**FIG. 32**



2. Conecte aquí el manómetro para gas de baja presión (0-35 pulg. de columna de agua).
3. Abra la válvula de suministro de combustible al calefactor.

**C. LECTURA DE PRESIONES**

1. Encienda el calefactor. Con el calefactor funcionando, el manómetro debería decir la presión especificada en la placa de datos o en la sección de especificaciones del presente manual.
2. ¿La lectura de presión en la entrada del control de seguridad concuerda con la que se especifica en la placa de datos? Si así fuera, entonces no se necesitan más verificaciones ni ajustes. Siga a la sección D.
3. Si las presiones de entrada no concuerdan con las que se especifican en la placa de datos, entonces verifique lo siguiente:
  - Regulador inapropiado para el calefactor.
  - Regulador mal ajustado. (Reemplace si fuera necesario).
  - Bloqueo en la manguera de gas.
  - Tamaño o cantidad insuficiente de los contenedores de suministro de gas propano.

**D. FINALIZACIÓN**

1. Una vez que se haya confirmado la presión adecuada, cierre las válvulas de suministro de combustible.
2. Permita que el calefactor quemé el combustible que quede en la línea de suministro de gas.
3. **Norseman 250:** Quite el manómetro, el adaptador de manguera, el niple y el conector en T. Vuelva a conectar el adaptador de manguera a la entrada de la válvula de control de seguridad, y la manguera al adaptador de manguera.
 

**Workman 225 Plus:** Quite el manómetro y el codo. Vuelva a colocar la tapa en la válvula de control de seguridad.

**Norseman 200 Plus, Workman 100 Plus Gas Natural:** Coloque el tapón de presión en el calefactor.
4. Ajuste bien todas las conexiones. Abra la válvula de suministro de combustible y verifique que no haya fugas de gas con detectores de fuga apropiados.
5. Encienda el calefactor y verifique que funcione adecuadamente.



# Resolución de problemas

<b>PROBLEMA</b>	<b>CAUSA</b>	<b>SOLUCIÓN</b>
1. El quemador o el piloto no se enciende.	<ul style="list-style-type: none"> <li>* El contenedor de gas propano está vacío.</li> <li>* Las válvulas de suministro de combustible están cerradas.</li> <li>* La válvula de control de flujo excesivo del adaptador POL del regulador de propano está cerrada.</li> <li>* El botón de control de seguridad no está completamente presionado.</li> <li>* El orificio del quemador o del piloto está obstruido.</li> <li>* Restricción en la manguera de gas.</li> </ul>	<ul style="list-style-type: none"> <li>* Llene el contenedor.</li> <li>* Abra las válvulas de suministro de combustible.</li> <li>* Cierre la válvula del contenedor de propano. Espere 5 minutos y abra la válvula del contenedor lentamente.</li> <li>* Presione el botón por completo.</li> <li>* Limpie o reemplace el orificio.</li> <li>* Extraiga la manguera del calefactor y límpiela con aire comprimido o reemplácela si fuera necesario.</li> <li>* Presione el botón del piloto de la válvula de control de seguridad (15-20 segundos suelen ser suficientes) en el control de la válvula de gas para purgar el aire de la línea (generalmente es necesario al momento de la instalación).</li> </ul>
	<ul style="list-style-type: none"> <li>* Aire en la línea de gas.</li> </ul>	<p><b>NOTA: Calefactores con botón de encendido piezoeléctrico:</b> Asegúrese de presionar el botón de encendido piezoeléctrico durante este tiempo para prevenir la acumulación de gas.</p>
	<ul style="list-style-type: none"> <li>* La válvula de control de seguridad es defectuosa.</li> <li>* El encendedor o el electrodo es defectuoso.</li> </ul>	<ul style="list-style-type: none"> <li>* Reemplace la válvula de control de seguridad.</li> <li>* Consulte la sección sobre el servicio del encendedor y el electrodo si surgen problemas con estas partes.</li> </ul>
2. El quemador o el piloto se enciende, pero no permanece encendido cuando se suelta el botón de control de seguridad.	<ul style="list-style-type: none"> <li>* Restricción en la manguera de gas.</li> <li>* Tiempo insuficiente para que se caliente la termocupla.</li> <li>* Termocupla floja.</li> </ul>	<ul style="list-style-type: none"> <li>* Consulte la solución para la misma causa en el problema n.º 1.</li> <li>* Presione el botón de control durante 30 segundos para permitir un calentamiento adecuado.</li> <li>* Ajuste la termocupla en el control de gas. Asegúrese de que esté bien presionado en su soporte. Ajuste manualmente y apriete la tuerca de contacto con una llave apropiada.</li> </ul>
	<ul style="list-style-type: none"> <li>* Termocupla defectuosa.</li> <li>* El orificio está obstruido.</li> </ul>	<ul style="list-style-type: none"> <li>* Reemplace la termocupla.</li> <li>* Consulte la solución para la misma causa en el problema n.º 1.</li> </ul>
	<ul style="list-style-type: none"> <li>* Válvula de control de seguridad defectuosa.</li> <li>* Presión de gas inapropiada.</li> </ul>	<ul style="list-style-type: none"> <li>* Reemplace la válvula de control de seguridad.</li> <li>* Ajuste la presión que se indica en la placa de datos.</li> </ul>
3. La llama del quemador es más alta que el quemador.	<ul style="list-style-type: none"> <li>* Presión de combustible ajustada demasiado alta.</li> <li>* Bloqueos en el orificio del quemador o en las entradas de aire primarias del quemador.</li> </ul>	<ul style="list-style-type: none"> <li>* Ajuste la presión que se indica en la placa de datos.</li> <li>* Limpie la zona con aire comprimido, un cepillo suave o un paño seco.</li> </ul>
4. El calefactor no entrega la potencia calorífica máxima.	<ul style="list-style-type: none"> <li>* Válvulas de suministro de gas no abiertas del todo.</li> <li>* El orificio del quemador está obstruido.</li> </ul>	<ul style="list-style-type: none"> <li>* Abra las válvulas por completo.</li> <li>* Limpie el orificio del quemador con aire comprimido o reemplácelo.</li> </ul>
	<ul style="list-style-type: none"> <li>* Presión de suministro de combustible baja.</li> </ul>	<ul style="list-style-type: none"> <li>* Consulte al proveedor de gas propano. Es necesario reemplazar o rellenar el cilindro o tanque. Es necesario ajustar el regulador. Verifique que se use el gas combustible y la regulación correctos.</li> </ul>
	<ul style="list-style-type: none"> <li>* WORKMAN 225 PLUS: Válvula de calor variable no posicionada en el máximo.</li> </ul>	<ul style="list-style-type: none"> <li>* Posicione la válvula al máximo.</li> </ul>
	<ul style="list-style-type: none"> <li>* NORSEMAN 200 O NORSEMAN 250: Válvula del quemador principal no abierta del todo.</li> </ul>	<ul style="list-style-type: none"> <li>* Abra completamente la válvula manual del quemador principal.</li> </ul>
5. El electrodo no brinda chispa.	<ul style="list-style-type: none"> <li>* Brecha de chispa inapropiada.</li> <li>* Electrodo o cable de electrodo defectuoso.</li> <li>* Botón de encendido defectuoso.</li> </ul>	<ul style="list-style-type: none"> <li>* Ajuste la brecha de chispa según las instrucciones.</li> <li>* Reemplace el electrodo.</li> <li>* Reemplace el encendedor.</li> </ul>

## Función de los componentes del calefactor

### **BARRIL c/ PARTE SUPERIOR (CAJA)**

Componente de la caja de lámina metálica vertical. Funciona como una chimenea para distribuir el calor a la zona circundante.

### **BASE**

Plataforma de la caja de lámina metálica que se utiliza para sostener y estabilizar los conjuntos del barril y el quemador.

### **QUEMADOR**

Componente en el cual se produce la combustión de gases combustibles.

### **ORIFICIO DEL QUEMADOR**

Dispositivo de medición utilizado para suministrar gas al quemador con un flujo específico, con la presión apropiada.

### **ELECTRODO**

Enciende el gas mediante chispa. Recibe voltaje de chispa del encendedor piezoeléctrico.

### **MANGUERA DE GAS**

Conector flexible utilizado para conducir gas desde el cilindro o la línea de suministro al calefactor.

### **ENCENDEDOR PIEZOELÉCTRICO**

Genera voltaje de encendido cuando se presiona el botón de encendido. Este voltaje se envía al electrodo para brindar chispa.

### **ORIFICIO DE LLAMA DEL PILOTO**

Un dispositivo de medición que se utiliza para suministrar gas con el doble propósito de encender el quemador principal y calentar la termocupla.

### **TUBO DEL PILOTO**

Un tubo moldeado de cobre utilizado para transmitir el gas desde la válvula de control de seguridad al orificio de la llama del piloto.

### **REGULADOR**

El corazón de cualquier instalación de suministro de gas. Se utiliza para entregar una presión de trabajo al dispositivo bajo diversas condiciones de presión del tanque.

### **VÁLVULA DE CONTROL DE SEGURIDAD**

Una válvula de control de gas que se mantiene abierta por la corriente eléctrica suministrada por la termocupla y que se cierra automáticamente para cerrar el flujo de gas al quemador principal cuando se extingue la llama o cuando es demasiado reducida para calentar la termocupla.

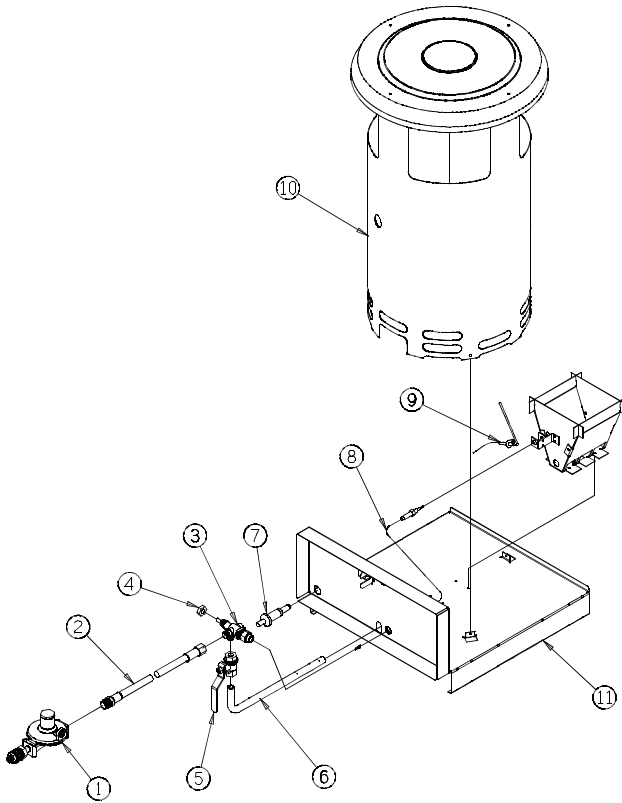
### **TERMOCUPLA**

Un dispositivo termoelectrónico que convierte la energía térmica directamente en energía eléctrica. Trabaja en conjunto con el electroimán en la válvula de control de gas, y así ayuda a mantener el suministro de gas para la llama del piloto.

### **VÁLVULA DE CALOR VARIABLE**

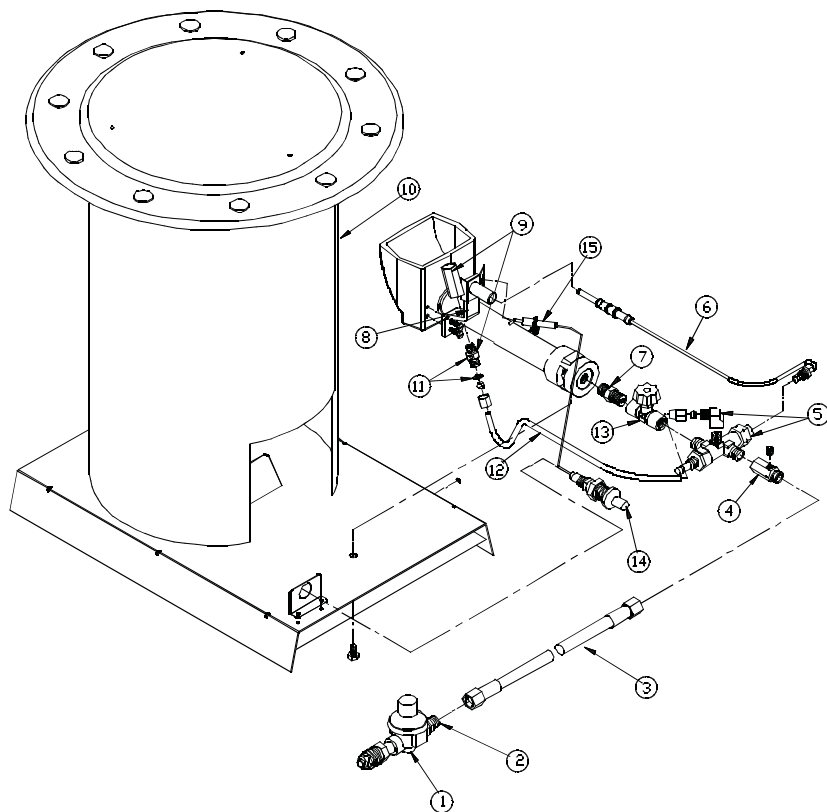
Una válvula de ajuste manual que le permite al usuario operar el calefactor a la potencia calorífica más baja o más alta, o en cualquier punto intermedio.

# Diagrama de identificación de piezas de mantenimiento Workman 225 Plus



Ítem	Descripción	Pieza número
1	Regulador c/adaptador POL	550-23463
2	Manguera, 1/4 pulg. / 15 pies (4.6 m)	550-20708
3	Válvula de control de seguridad	572506
4	Tuerca	572587
5	Válvula de calor variable	572507
6	Orificio del colector	572508
7	Encendedor piezoeléctrico	570434
8	Termocupla	571030
9	Electrodo	572509
10	Barril c/parte superior	572505
11	Base	572510

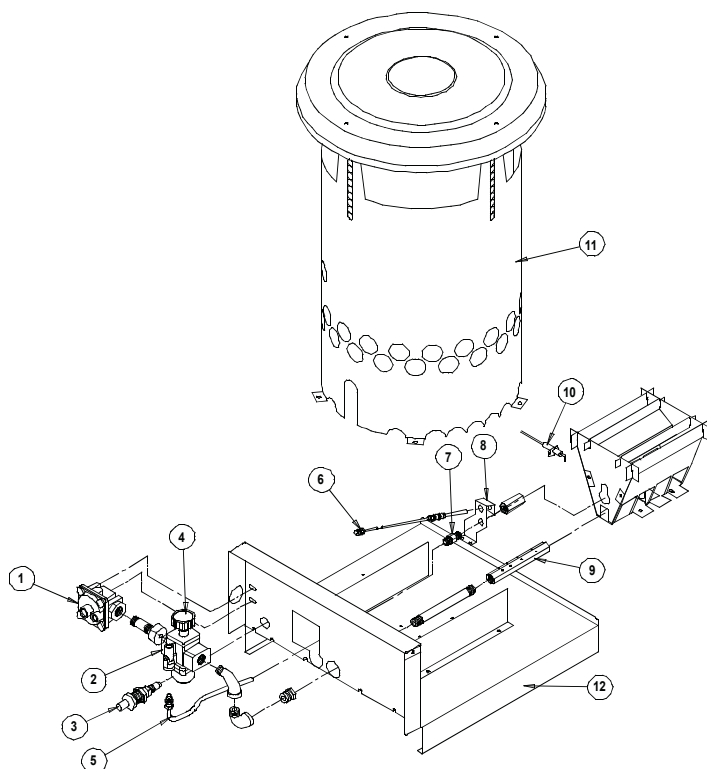
## Diagrama de identificación de piezas de mantenimiento Norseman 200 Plus y Norseman 250



Ítem	Descripción	Pieza número
1	Regulador c/adaptador de manguera y POL	550-21788
2	Adaptador de manguera	500-25790
3	Manguera, 1/4 pulg. x 15 (4.6m) pies	550-20500
4	Adaptador de manguera c/tapón de presión	500-23633
5	Válvula de seguridad del piloto	500-20356
6	Termocupla	571823
7	Orificio del quemador (Norseman 200 Plus)	571582
	(Norseman 250)	571573
8	Soporte del piloto (Norseman 200)	571584
	(Norseman 250)	571574
9	Cabezal del piloto con orificio del piloto	571048

10	Conjunto de caja c/etiquetas (Norseman 200 Plus)	500-23373
	(Norseman 250)	500-22338
11	Orificio del piloto c/pantalla	571577
12	Tubo del piloto c/tuercas y manguitos	520529
13	Válvula manual del quemador	570963
14	Encendedor (Norseman 200 Plus)	570434
15	Electrodo c/cable (Norseman 200 Plus)	571068

## Diagrama de identificación de piezas de mantenimiento Workman 100 Plus Gas Natural



Ítem	Descripción	Pieza número
1	Regulador, gas natural	571528
2	Válvula de control de seguridad del piloto	573264
3	Encendedor c/tuerca	570434
4	Perilla de la válvula	573265
5	Tubo del piloto c/tuercas y manguitos	571515
6	Termocupla	573713
7	Orificio del piloto	571557
8	Soporte	571022
9	Orificio del quemador	571580
10	Electrodo	571068
11	Barril c/parte superior	571505
12	Base	571592



# Política de garantía

## **CALEFACTOR**

L.B. White Co., Inc. garantiza que las piezas de su calefactor no tendrán defectos materiales ni de mano de obra si se instalan, se hacen funcionar y se someten a mantenimiento correctamente conforme a las Instrucciones de instalación y mantenimiento, las guías de seguridad, y las etiquetas de cada unidad. Si, dentro de los 24 meses de la fecha de compra por el usuario final, se encuentra que algún componente está defectuoso, L.B. White Co., Inc., según su criterio, reparará o reemplazará la pieza defectuosa o el calefactor con una pieza o calefactor nuevos, FOB, Onalaska, Wisconsin.

Al registrar su producto en línea con L.B. White habilitará automáticamente una unidad y sus piezas componentes para la garantía. Si un producto no ha sido registrado con L.B. White, se requerirá una copia de la factura de venta para establecer una calificación de garantía. Si nada de lo anterior está disponible, el período de garantía será de 24 meses desde la fecha del envío por parte de L.B. White.

## **PIEZAS**

L.B. White Co., Inc. garantiza que las piezas de repuesto compradas a la compañía y usadas en el correspondiente equipo L.B. White están libres de defectos tanto de materiales como de mano de obra durante 24 meses desde la fecha de compra por el usuario final. La garantía es automática si se encuentra que un componente tiene defectos dentro de los 24 meses del código de fecha marcado en la pieza. Si el defecto ocurre más de 24 meses después del código de fecha pero dentro de los 24 meses de la fecha de compra por el usuario final, se solicitará una copia de la factura de venta para que quede habilitada la garantía.

La garantía descrita arriba es la garantía exclusiva otorgada por L.B. White, y todas otras garantías, incluida cualquier garantía implícita o comerciabilidad o idoneidad para un propósito en particular, son expresamente denegadas. En el caso de una garantía implícita que no quede efectivamente excluida en el presente documento por efecto de la ley, tal garantía implícita estará limitada a la duración de la correspondiente garantía antes mencionada. Los recursos establecidos arriba son los únicos y exclusivos recursos disponibles conforme a

la presente. L.B. White no será responsable por ninguno de los daños y perjuicios incidentales o emergentes directa o indirectamente relacionados con la venta, manipulación o uso del equipo, y en todo caso la responsabilidad de L.B. White con respecto al equipo, incluidos reclamos basados en negligencia o responsabilidad estricta, está limitada al precio de compra.

Algunos estados no permiten limitaciones en relación a cuánto tiempo dura una garantía implícita; por lo tanto, la limitación de arriba podría no aplicarse a usted. Algunos estados no permiten la exclusión o limitación de daños y perjuicios incidentales o emergentes; por lo tanto, la limitación o exclusión de arriba podría no aplicarse a usted. Esta garantía le otorga derechos legales específicos, y usted también podría tener otros derechos que varían de estado a estado.

Para registrar su producto y asegurarse la garantía completa, visite:

[http://www.lbwhite.com/customer\\_care\\_center/product-registration/](http://www.lbwhite.com/customer_care_center/product-registration/). Por favor, tenga a mano el número o los números de serie y modelo(s) de los productos que está registrando.

## Mantenimiento

Póngase en contacto con su distribuidor de L.B. White local para obtener repuestos y mantenimiento. También puede llamar a L.B. White Co., Inc. al 1-800-345-7200, para obtener asistencia, o enviar un correo electrónico a [customerservice@lbwhite.com](mailto:customerservice@lbwhite.com).

Cuando llame, asegúrese de contar con el número de modelo del calefactor y el número de configuración.



## **PROVEEDOR MUNDIAL - SOLUCIONES DE CALEFACCIÓN INNOVADORAS**

411 Mason Street, Onalaska, WI 54650

800-345-7200 • 608-783-5691

608-783-6115 (fax)

**[www.lbwhite.com](http://www.lbwhite.com)**



# L.B.WHITE

## Convection

® Fournaises verticales  
Workman à service standard  
Norseman à service intensif

<b>320</b>	200,000 Btu/h*/58.6kW	Soufflage
<b>341</b>	250,000 Btu/h*/73.3kW	de vapeur
<b>CV225</b>	225,000 Btu/h*/65.9kW	de gaz propane
<b>CV100</b>	100,000 Btu/h*/29.3kW	Gaz naturel

Consulter ce manuel en ligne à l'adresse [www.lbwhite.com](http://www.lbwhite.com)

### Attention

Les modèles 320, CV255 et CV100 ont été testés et évalués par l'Association canadienne de normalisation conformément à la norme ANSI Z83.7 • CSA 2.14. Ils sont listés et approuvés en tant que fournaies verticales à convection à combustion directe pour une utilisation dans le domaine de la construction et sur des planchers combustibles. Les modèles 341 ont été testés et évalués par L.B.White et ne sont pas approuvés pour une utilisation sur des planchers combustibles. Toutes nos fournaies doivent être considérées comme des dispositifs de chauffage portables et temporaires à utiliser dans des bâtiments en construction, transformation ou réparation. Si vous envisagez d'utiliser ce produit pour une application autre que son utilisation prévue, communiquer au préalable avec votre fournisseur de gaz combustible ou avec L.B. White Co., Inc.

**Ce manuel fournit des instructions pour toutes les fournaies verticales de construction fabriquées par L.B. White. Les renseignements concernant les modèles spéciaux ou les configurations de gaz particulières sont inclus. Sauf indication contraire, les renseignements s'appliquent à tous les modèles.**

[www.lbwhite.com](http://www.lbwhite.com)



\* Modèles spécifiques pour les États-Unis ou le Canada. Se reporter à la plaque signalétique de la fournaie.



### Félicitations!

Vous avez acheté la meilleure fournaie à convection disponible sur le marché.

Votre nouvelle fournaie L.B. White intègre les avantages du fabricant de produits de chauffage le plus expérimenté qui utilise une technologie de pointe.

L'équipe de L.B. White vous remercie de la confiance que vous accordez à nos produits et indique qu'elle est ouverte à vos suggestions ou vos commentaires, pour se faire, communiquez avec nous au 1 800 345-7200.



### NUMÉRISER CECI

avec votre téléphone intelligent ou visiter le site <http://goo.gl/nvneR> pour y voir des vidéos d'entretien pour les fournaies L.B.White\*.

\* Nécessite une application comme QR Droid pour Android ou iPhone

CONSULTER LES  
INSTRUCTIONS  
D'ASSEMBLAGE  
À L'INTÉRIEUR

## TABLE DES MATIÈRES

Spécifications de la fournaise.....	4
Renseignements généraux.....	5
Consignes de sécurité.....	6
Instructions d'installation	
Généralité.....	9
Installation du brûleur, Norseman 200 Plus et Norseman 250.....	11
Ensemble du tuyau et du régulateur fournaises au propane.....	11
Raccordement du régulateur à l'approvisionnement en gaz	
Fournaises fonctionnant au propane.....	12
Fournaises au gaz naturel.....	12
Instructions d'allumage et d'arrêt	
Workman 225 Plus.....	13
Norseman 200 Plus et Norseman 250.....	14
Workman 100 Plus au gaz naturel.....	15
Instructions de nettoyage.....	16
Instructions d'entretien.....	17
Instructions de service.....	18
Général.....	18
Workman 225 Plus.....	18
Orifice du brûleur et robinet de sûreté.....	18
Workman 100 Plus au gaz naturel.....	19
Orifice de la veilleuse.....	19
Orifice du brûleur.....	19
Robinet de sûreté et régulateur de gaz.....	19
Norseman 200 Plus et Norseman 250.....	20
Orifice du brûleur.....	20
Orifice de la veilleuse.....	20
Robinet de sûreté.....	20
Allumeur et électrode (Workman 225 Plus, Norseman 200 Plus, et Workman 100 Plus).....	21
Thermocouples (tous les modèles).....	22
Vérifications de la pression du gaz.....	23
Astuces de dépannage.....	25
Fonction des composants de la fournaise.....	26
Identification des pièces	
Schémas des pièces et liste des pièces	
Workman 225 Plus.....	27
Norseman 200 Plus et Norseman 250.....	28/29
Workman 100 Plus au gaz naturel.....	30/31
Politique de garantie, pièces de rechange et service courant.....	32

## MISES EN GARDE GÉNÉRALES

LE NON-RESPECT DES MISES EN GARDE ET DES INSTRUCTIONS FOURNIES AVEC CE RADIATEUR PEUT ENTRAÎNER LA MORT, DE GRAVES BLESSURES ET DES PERTES MATÉRIELLES OU DES DOMMAGES À LA PROPRIÉTÉ RÉSULTANT D'UN INCENDIE, D'UNE EXPLOSION, DE BRÛLURES, D'ASPHYXIE, D'EMPOISONNEMENT AU MONOXYDE DE CARBONE ET/OU D'UN CHOC ÉLECTRIQUE. SEULES LES PERSONNES APTES À COMPRENDRE ET À SUIVRE LES INSTRUCTIONS DEVRAIENT SE SERVIR DE CE RADIATEUR OU LE RÉPARER. SI VOUS AVEZ BESOIN D'AIDE OU D'INFORMATIONS CONCERNANT CE RADIATEUR, SOIT UNE NOTICE D'INSTRUCTIONS, UNE ÉTIQUETTE, ETC., PRIÈRE DE COMMUNIQUER AVEC LE FABRICANT LES MANUELS DU PROPRIÉTAIRE ET LES ÉTIQUETTES DE REMPLACEMENT SONT DISPONIBLES SANS FRAIS. CONSULTEZ LE SITE, OU POUR OBTENIR DE L'ASSISTANCE, COMMUNIQUER AVEC LB WHITE AU 1-800-345-7200.

## AVERTISSEMENT

- UNE PRESSION D'ALIMENTATION EN GAZ ADÉQUATE DOIT ÊTRE FOURNIE À L'ENTRÉE DE LA FOURNAISE.
- REPORTEZ-VOUS À LA PLAQUE DE DONNÉES POUR CONNAÎTRE LA PRESSION D'ALIMENTATION EN GAZ.
- UNE PRESSION DE GAZ SUPÉRIEURE À LA PRESSION D'ENTRÉE MAXIMALE PRÉCISÉE À L'ENTRÉE DE LA FOURNAISE PEUT PROVOQUER DES INCENDIES OU DES EXPLOSIONS.
- DES INCENDIES OU DES EXPLOSIONS PEUVENT ENTRAÎNER DES BLESSURES GRAVES VOIRE MORTELLES, OU DES DOMMAGES MOBILIERS.
- UNE PRESSION DE GAZ INFÉRIEURE À LA PRESSION D'ENTRÉE MINIMALE PRÉCISÉE À L'ENTRÉE DE LA FOURNAISE PEUT PROVOQUER UNE MAUVAISE COMBUSTION.
- UNE MAUVAISE COMBUSTION PEUT MENER À L'ASPHYXIE OU À L'EMPOISONNEMENT AU MONOXYDE DE CARBONE ET DES BLESSURES GRAVES VOIRE MORTELLES.

## AVERTISSEMENT

### DANGER D'INCENDIE ET D'EXPLOSION

- NE PAS UTILISER DANS UNE MAISON OU UN VÉHICULE DE CAMPING.
- L'INSTALLATION DE CETTE FOURNAISE DANS UNE MAISON OU UN VÉHICULE RÉCRÉATIF PEUT PROVOQUER UN INCENDIE OU UNE EXPLOSION.
- LES INCENDIES ET LES EXPLOSIONS PEUVENT CAUSER DES DOMMAGES MATÉRIELS ET LA MORT.

## AVERTISSEMENT

### RISQUE D'INCENDIE, DE BRÛLURES, D'INHALATION ET D'EXPLOSION

GARDER LES COMBUSTIBLES SOLIDES, TELS LES MATÉRIAUX DE CONSTRUCTION, LE PAPIER ET LE CARTON, À BONNE DISTANCE DE CE RADIATEUR, COMME IL EST RECOMMANDÉ DANS LES INSTRUCTIONS. NE JAMAIS UTILISER CET APPAREIL DANS DES ENDROITS QUI CONTIENNENT OU POURRAIENT CONTENIR DES COMBUSTIBLES VOLATILES OU EN SUSPENSION DANS L'AIR TELS L'ESSENCE, LES SOLVANTS, LES DILUANTS POUR PEINTURE, LES PARTICULES DE POUSSIÈRES OU DES PRODUITS CHIMIQUES INCONNUS.

## POUR VOTRE SÉCURITÉ

Ne pas entreposer ou utiliser de l'essence ou d'autres vapeurs et liquides inflammables à proximité de cet appareil ou de tout autre appareil.

## POUR VOTRE SÉCURITÉ

Si vous sentez une odeur de gaz :

1. Ouvrir les fenêtres.
2. Ne pas toucher aux interrupteurs électriques.
3. Éteindre toute flamme nue.
4. Appeler immédiatement votre fournisseur de gaz.

## Caractéristiques

Description		Modèle			
		320	341	CV225	CV100
Type de carburant		Gaz propane	Gaz propane	Gaz propane	Gaz naturel
Entrée (BTU/h/kWh)	MAX.	200 000/58,6	250 000/73,3	225 000/65,9	100 000/29,3
	MIN.	S.o.	S.o.	45 000/13,2	S.o.
Pression maximale admissible du gaz à l'entrée de la fournaise (voir la note 1)	MAX.	23/158,6	23/158,6	10,2/70,3	13,5/3,36
	MIN.	23/158,6	23/158,6	10,2/70,3	7,0/1,74
Pression maximale d'entrée du brûleur (voir la note 1)		23/158,6	23/158,6	10,0/68,9	5,1/1,27
Consommation de carburant par heure (voir la note 2)	MAX.	9,28/4,21	11,6/5,26	10,44/4,73	100/2,83
	MIN.	S.o.	S.o.	2,08/0,94	S.o.
Dimensions (pouces/cm) L x l x H		18x13x24/ 46x33x61	18x13x24/ 46x33x61	17x15x26/ 43x38x66	16.5x15x25/ 42x38x64
Distances minimales de sécurité des plus proches matériaux combustibles (pieds/mètres)	PARTIE SUPÉRIEURE	5 pi. 10 po./1,77	8,0/2,43	5 pi. 10 po./1,77	5,0/1,52
	CÔTÉS	4,0/1,2			3,0/0,91
	PROPANE	ÉTATS-UNIS : 6/1,83 Canada : 10/3,05			S.o.

Note 1 : Pressions des gaz :

Modèles 320, 341 et CV225 : indiquées en PSI ou kPa.  
Modèle CV100: indiquées en pouces de colonne d'eau ou kPa.

Note 2 : Consommation de carburant : Modèles 320, 341 et CV225: indiquée en livres ou kilogrammes par heure.  
Modèle CV100: indiquée en pieds cubes ou mètres cubes par heure.

## Renseignements généraux

Lors d'un appel de service technique, ou pour obtenir toute autre information précise, toujours avoir le numéro de modèle, le numéro de configuration et le numéro de série sous la main. Cette information est inscrite sur la plaque signalétique.

Ce manuel vous présente le fonctionnement et l'entretien de votre appareil. Lire ce manuel avec votre installateur afin de vous assurer de bien comprendre la fournaise et son fonctionnement.

Communiquer avec votre distributeur L.B. L.B. White local ou L.B. White Co., Inc. pour obtenir de l'aide ou pour obtenir des réponses à vos questions relatives à l'utilisation de l'équipement ou de son application.

La société L.B.White Co., Inc. dispose d'une politique d'amélioration continue de ses produits. La société se réserve le droit de modifier les spécifications et la conception sans préavis.

## Précautions de sécurité



### AVERTISSEMENT

#### DANGER D'ASPHYXIE

- Ne pas utiliser cet appareil de chauffage pour chauffer des logements humains, des garages, des ateliers ou d'autres espaces confinés.
  - Ne pas utiliser dans les zones non ventilées.
  - Le débit de combustion et l'air de ventilation ne doivent pas être obstrués.
  - De l'air de ventilation adéquat doit être prévu pour soutenir les besoins en air de combustion de la fournaise étant utilisée.
  - L'absence d'une ventilation convenable se traduira par une mauvaise combustion.
  - Une mauvaise combustion peut mener à une intoxication au monoxyde de carbone, ce qui peut se traduire par des blessures graves voire mortelles.
- Parmi les symptômes de l'intoxication au monoxyde de carbone, on trouve des maux de tête, des étourdissements et des difficultés à respirer.
- De l'air de ventilation adéquat à des fins de combustion doit être fourni conformément à la norme OSHA 29 CFR 1926.154, pour les appareils de chauffage temporaires, la norme ANSI A10.10, Exigences en matière de sécurité pour les appareils de chauffage d'espace temporaires et portables, ou la norme CAN/CSA B149.1 du Code d'installation du gaz naturel et du propane, le cas échéant.

## Odeur de gaz combustible

Des odorants artificiels sont ajoutés au gaz propane et au gaz naturel précisément pour permettre la détection de fuites de gaz combustible.

Si une fuite de gaz combustible se produit, vous devriez être en mesure de la sentir. C'EST VOTRE SIGNAL DE PRENDRE IMMÉDIATEMENT DES MESURES!

- Ne rien faire qui pourrait enflammer le gaz combustible. Ne pas faire fonctionner les commutateurs électriques. Ne pas tirer sur les câbles d'alimentation ou les rallonges. Ne pas allumer d'allumettes ou toute autre source de flamme. Ne pas utiliser votre téléphone.
- Évacuer tout le bâtiment et éloigner immédiatement les gens de la zone.
- Fermer tous les robinets d'alimentation en carburant.
- Le gaz propane est plus lourd que l'air et peut se déposer au sol. Lorsque vous avez des raisons de soupçonner une fuite de propane, rester à l'écart de toutes les zones basses.
- Utiliser le téléphone de votre voisin et appeler votre fournisseur de gaz ainsi que votre service d'incendie. Ne pas entrer de nouveau dans le bâtiment ou la zone.
- Rester à l'extérieur du bâtiment et demeurer à l'écart de la zone jusqu'à ce qu'ils soient déclarés sûrs par les pompiers et par votre fournisseur de gaz combustible.
- ENFIN, laisser le technicien en gaz combustible et les pompiers vérifier d'où le gaz s'échappe. Leur demander d'aérer le bâtiment et la zone avant d'y retourner. Un technicien correctement formé doit réparer la fuite, vérifier s'il y a d'autres fuites, puis rallumer la fournaise pour vous.

## Dissipation de l'odeur - Aucune odeur détectée

- Certaines personnes ne peuvent pas bien sentir. Certaines personnes peuvent ne pas sentir l'odeur du produit chimique artificiel ajouté au gaz propane ou au gaz naturel. Vous devez déterminer si vous pouvez sentir la substance odorante se trouvant dans ces gaz combustibles.
- Apprendre à reconnaître l'odeur du gaz propane et du gaz naturel. Les revendeurs locaux de gaz propane et votre fournisseur local de gaz naturel (service public) seront plus qu'heureux de vous donner un dépliant « Grattez et sentez ». Utilisez-le pour vous familiariser avec l'odeur de gaz combustible.
- Fumer peut diminuer votre odorat. Être autour d'une odeur pendant une certaine période peut avoir une incidence sur votre sensibilité à cette odeur particulière.
- L'odorant du gaz propane et du gaz naturel est incolore et l'intensité de son odeur peut disparaître dans certaines circonstances.
- S'il y a une fuite souterraine, le mouvement du gaz dans le sol peut filtrer l'odorant.
- À des niveaux différents, l'odeur du gaz propane peut différer en intensité. Puisque le gaz propane est plus lourd que l'air, il peut y avoir plus d'odeurs à des niveaux inférieurs.
- Toujours être sensible à la moindre odeur de gaz. Si vous continuez à détecter une odeur de gaz, et ce, peu importe son importance, traitez-la comme une fuite grave. Passer immédiatement à l'action comme indiqué précédemment.

## Attention – Points capitaux à retenir!



### ATTENTION Risque de brûlure

- Hautes températures superficielle et de reflux.
- Ne pas toucher pas la fournaise ou rester au delà de la distance de sécurité indiquée sur la plaque signalétique ou dans la notice d'utilisation.
- Être extrêmement prudent lorsque de l'allumage de la fournaise ou du réglage de la température.
- Le non-respect de cet avertissement peut entraîner des brûlures ou l'inflammation des vêtements.
- Des brûlures peuvent entraîner des blessures graves ou même la mort.

\* Le gaz propane a une odeur caractéristique. Apprendre à reconnaître cette odeur. (Se reporter aux rubriques « Odeur du gaz combustible » et « Dissipation de l'odeur » ci-dessus.

■ Si vous n'avez pas reçu de formation adéquate en réparation et entretien de fournaises alimentées au gaz propane, ne tentez pas d'allumer la fournaise, d'effectuer des réparations ou de faire des ajustements à la fournaise sur un système d'alimentation en gaz propane.

■ Même si vous n'êtes pas correctement formé en entretien et réparation de fournaises, vous devez TOUJOURS connaître les odeurs de gaz propane et de gaz naturel.

■ Un test d'odeur effectué périodiquement autour de la fournaise ou à proximité de ses joints; c.-à-d. le tuyau, les raccords, etc. est une bonne mesure de sécurité à faire en tout temps. Si vous sentez une odeur, et ce peu importe son importance, communiquez IMMÉDIATEMENT AVEC VOTRE FOURNISSEUR DE GAZ COMBUSTIBLE.  
**N'ATTENDEZ PAS!**

1. Ne pas tenter d'installer, de réparer ou d'effectuer l'entretien de cette fournaise ou de la conduite d'alimentation en gaz, sauf si vous avez une formation permanente et des connaissances d'experts des fournaises au gaz.

Les qualifications requises pour procéder à l'entretien et à l'installation de cet équipement sont les suivantes :

a. Pour être un technicien en entretien et en réparation de fournaise au gaz qualifié, vous devez avoir suivi une formation et disposer de l'expérience suffisante pour gérer tous les aspects de l'installation d'une fournaise au gaz, de son entretien et de sa réparation. Cela comprend l'installation, le dépannage, le remplacement des pièces et des essais de fournaise défectueuse.

Vous devez être en mesure d'assurer que la fournaise est en état de fonctionnement normal et sûr. Vous devez vous familiariser entièrement avec chaque modèle en lisant et en respectant les consignes de sécurité, les étiquettes, le manuel du propriétaire, etc. qui sont fournis avec chaque fournaise.

b. Pour être un technicien qualifié en installation de fournaise au gaz, vous devez disposer d'une formation et d'une expérience pertinentes pour gérer tous les aspects de l'installation, de la réparation et de la modification des conduites de gaz, y compris la sélection et l'installation de l'équipement approprié, ainsi que la sélection de la dimension adéquate du tuyau et du réservoir devant être utilisés. Cela doit être fait en conformité avec tous les codes locaux, provinciaux et nationaux ainsi qu'avec les exigences du fabricant.

c. Norseman 200, Workman 225, Workman 100 NG : Dans le Commonwealth du Massachusetts, ces produits doivent être installés par un installateur de gaz agréé ayant obtenu sa licence dans le Commonwealth du Massachusetts.

2. Toutes les installations et applications des fournaises de LB White doivent répondre à l'intégralité des codes locaux, provinciaux et nationaux pertinents. Y compris les codes en matière de gaz naturel, de gaz de pétrole liquéfiés, d'électricité et de sécurité. Votre fournisseur de gaz local, un électricien agréé local, le service d'incendie local, des organismes gouvernementaux semblables ou votre agent d'assurance peuvent vous aider à déterminer ces exigences.

En l'absence de codes locaux, se reporter à :

- Dernière révision de la norme ANSI/NFPA 58 en matière de stockage et de manipulation des gaz de pétrole liquéfiés.
- Norme ANSI Z223.1/NFPA 54, National Fuel Gas Code
- Norme CSA B149.1 du Code d'installation du gaz naturel et du propane.

3. Ne pas utiliser lors d'une opération sur des conduits.

4. Nous ne pouvons prévoir chaque utilisation pouvant être faite de nos fournaises. Pour toutes questions concernant les applications, consulter votre service d'incendie local.

5. D'autres normes régissent l'utilisation des gaz combustibles et les produits qui produisent de la chaleur dans des applications précises. Votre administration locale peut vous conseiller à ce sujet.

6. Utiliser uniquement de l'air comprimé, une brosse à poils souples ou un chiffon sec pour nettoyer l'intérieur de l'appareil et ses composants.

7. Toujours utiliser du composé de tuyau fileté approuvé adapté pour une utilisation avec des raccords filetés pour le gaz propane.
8. Ne pas obstruer les entrées ou sorties d'air d'évacuation de la fournaise. Cela peut entraîner une mauvaise combustion ou endommager les composants de la fournaise se traduisant par des dommages matériels.
9. L'ensemble du tuyau doit être inspecté visuellement sur une base quotidienne après la relocation de la fournaise et lorsque l'appareil est en cours d'utilisation. S'il est évident qu'il y a une abrasion ou une usure excessive, ou si le tuyau est coupé, il doit être remplacé avant que la fournaise ne soit mise en service. En cours d'utilisation, l'ensemble du tuyau doit être protégé contre les matériaux de construction et le contact avec des surfaces chaudes. Le tuyau de rechange doit être celui précisé par le fabricant. Consulter la liste des pièces.
10. Avant de produire le repeuplement ou en cas de déplacement, vérifier la présence de fuites de gaz et le bon fonctionnement lors de l'installation ou de la relocalisation de la fournaise. Se reporter aux directives de vérification de fuites dans la section d'installation du présent manuel.
11. Avant toute utilisation et au moins une fois par année, cette fournaise doit être inspectée par un technicien qualifié pour en assurer le bon fonctionnement.
12. Ne jamais oublier de couper l'alimentation en gaz de la fournaise lorsqu'elle n'est pas utilisée.
13. Si le débit de gaz est interrompu et la flamme s'éteint, ne pas rallumer la fournaise jusqu'à être bien sûr que tout le gaz accumulé se soit dissipé. Dans tous les cas, ne pas rallumer la fournaise pendant au moins 5 minutes.
14. La taille minimale de la bonbonne d'alimentation en gaz propane doit être de 45 kg (100 livres). Si une bonbonne est utilisée comme système d'alimentation, le montage doit être conçu pour assurer l'élimination des vapeurs provenant de celle-ci lors du fonctionnement.
15. Lorsque la fournaise doit être stockée à l'intérieur, les bonbonnes d'alimentation en gaz propane doivent être débranchées, placées à l'écart du système et entreposées conformément à la norme NSI/NFPA 58 en matière de stockage et de manipulation des gaz de pétrole liquéfiés, ainsi que la norme CSA B149.1 du Code d'installation du gaz naturel et du propane, le cas échéant.
16. Les bonbonnes de gaz propane comportent des filetages à gauche. Toujours utiliser la clé appropriée pour serrer ou desserrer le raccord Prest-O-Lite du robinet d'alimentation en gaz de la bonbonne. Ne pas utiliser de pince.



# Instructions générales d'installation



## AVERTISSEMENT

### Risque de brûlure

Peut causer des dommages matériels, des blessures graves voire mortelles.

1. Pour éviter l'accumulation dangereuse de gaz combustible, couper l'alimentation en gaz du robinet de service de l'appareil avant de commencer l'installation et avant d'effectuer un test de fuite de gaz une fois l'installation terminée.
2. Ne pas forcer le bouton de contrôle du robinet de sûreté. N'utiliser que votre main pour appuyer sur le bouton. Ne jamais utiliser d'outils. Si le bouton ne peut être activé manuellement, la commande doit être remplacée par un technicien qualifié. Toute force ou tentative de réparation pourrait provoquer un incendie ou une explosion.

1. Lire toutes les précautions de sécurité et suivre les recommandations de LB White lors de l'installation de la fournaise. Si pendant l'installation ou la relocalisation de la fournaise vous pensez qu'une pièce s'est endommagée ou qu'elle est défectueuse, appeler un atelier de réparation qualifié pour qu'il effectue une réparation ou un remplacement.
2. Positionner la fournaise correctement avant utilisation. En utilisant un niveau à bulle, assurez-vous que la fournaise est bien installée sur une surface plane, horizontale et stable lorsqu'elle est en fonctionnement ou encore chaude. Des distances minimales de sécurité entre le système et les surfaces combustibles telles que les murs, le plancher ou les plafonds doivent également être respectées. Ne placer aucun matériau combustible dans cette zone de dégagement. Consulter les spécifications à la page 4 de cette notice d'utilisation pour connaître les distances minimales de sécurité entre la fournaise et les matériaux combustibles.



## AVERTISSEMENT

### Risque d'incendie

- La température atteinte par le socle du Norseman 250 (modèle 341) est assez élevée pour pouvoir enflammer des matériaux combustibles.
  - Utiliser la fournaise Norseman 250 sur des matériaux non combustibles pour éviter un risque d'incendie.
- D'après la norme OSHA 1926.154 : une fournaise ne convenant pas à une utilisation sur une surface combustible peut tout de même être utilisée sur une telle surface si elle repose sur un matériau d'isolation thermique comme une plaque de béton d'une épaisseur d'au moins 2,54 cm (1 pouce). Le matériau isolant doit couvrir une surface s'étendant d'au moins 0,61 m (2 pieds) tout autour de la fournaise.

3. Exigences en matière d'installation de gaz de pétrole liquéfiés

- Assurez-vous que toutes les bonbonnes de gaz de pétrole liquéfiés sont sécurisées et protégées contre toutes les personnes, toute la circulation des véhicules et tous les contacts potentiels.
- Les bonbonnes de gaz propane doivent être situées sur une surface plane, stable et de niveau.
- Les bonbonnes de gaz de pétrole liquéfiés (réservoirs/bonbonnes de 45 kg/100 lb) doivent être sécurisées en étant renversées.

Communiquer avec les autorités locales, les revendeurs de gaz propane, ou les commissaires des incendies pour en savoir plus concernant l'installation dans votre région

4. Placer la fournaise et son tuyau d'alimentation en gaz de manière à les protéger de quelconque interaction extérieure. Protéger les tuyaux avec des gaines prévues à cet effet contre le passage de personnes, de véhicules et l'utilisation de tout autre équipement de construction.

5. La fournaise est uniquement approuvée pour une utilisation intérieure. La fournaise doit être installée de sorte qu'elle ne soit pas directement exposée à un jet d'eau, à la pluie et/ou à des gouttes d'eau lui tombant dessus.

6. Le régulateur de pression de gaz de la fournaise (avec soupape de décharge de pression) doit être protégé contre des conditions météorologiques défavorables (pluie, glace, neige), ainsi que des matériaux de construction (goudron, béton, plâtre, etc.) qui peuvent nuire au bon fonctionnement et peuvent entraîner des dommages matériels ou des blessures.

7. Les fournaises utilisées à proximité de bâches, toiles, plastiques, pare-vents ou revêtements combustibles similaires doivent être situées à au moins 3,05 mètres (10 pieds) des revêtements. Les revêtements doivent être solidement fixés pour éviter l'inflammation ou la perturbation du bon fonctionnement de la fournaise en raison de l'action du vent sur la couverture ou d'autres matériaux.

8. Toujours vérifier s'il y a des fuites de gaz aux raccords à l'aide de détecteurs de fuites de gaz approuvés. La détection des fuites de gaz est effectuée comme suit :



### **AVERTISSEMENT** **Incendie et explosion**

- Ne pas utiliser de flamme nue (allumettes, torches, bougies, etc.) pour vérifier des fuites de gaz.
- Utiliser des détecteurs de fuites approuvés.
- Le non-respect de cet avertissement peut provoquer des incendies ou des explosions.
- Les incendies et les explosions peuvent causer des dommages matériels, des blessures voire la mort.

- Vérifier toutes les connexions des raccords et des conduites, ainsi que les raccords et les adaptateurs en amont de la commande de gaz au moyen de détecteurs de fuites de gaz approuvés.
- Si une fuite de gaz est détectée, vérifier la propreté des composants impliqués et l'application adéquate de pâte à joint avant de serrer davantage.
- Resserrer les raccords de gaz davantage que ce qui est nécessaire pour arrêter la fuite.
- Après la vérification de toutes les connexions et le colmatage de toute fuite, allumer le brûleur principal.
- Écartez-vous tandis que le brûleur principal s'allume pour prévenir les blessures causées par les fuites cachées qui pourraient entraîner un retour de flamme.
- Avec le brûleur principal en marche, vérifier toutes les connexions des raccords et des conduites, les joints ainsi que l'entrée du robinet de réglage de gaz et les connexions de sortie au moyen de détecteurs de fuites de gaz approuvés.
- Si une fuite est détectée, vérifier la propreté des filets et l'application adéquate de pâte à joint avant de serrer davantage.
- Resserrer le raccord de gaz autant que nécessaire pour arrêter la fuite.
- Le cas échéant, si la fuite ne peut être arrêtée, remplacer les pièces ou composants en cause.
- S'assurer que toutes les fuites de gaz ont été identifiées et colmatées avant de poursuivre.

9. Un atelier de réparation qualifié doit inspecter la fournaise avant chaque utilisation et au minimum annuellement.

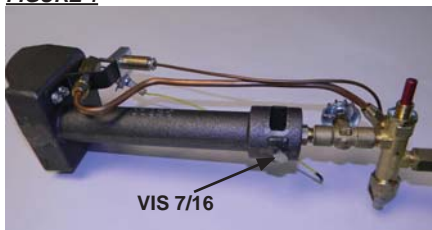
10. Allumer conformément aux instructions sur la fournaise ou dans le manuel du propriétaire.
11. S'assurer que la fournaise dispose du régulateur de gaz approprié pour l'application. Un régulateur doit être connecté à l'alimentation en gaz de sorte que la pression du gaz à l'entrée du robinet de gaz soit en tout temps régulée dans la plage précisée sur la plaque signalétique. Communiquer avec votre fournisseur de gaz ou avec L.B. White Co., Inc. pour toute question.
12. Cette fournaise est configurée pour être utilisée pour le soutirage de vapeur de gaz propane uniquement. Consulter la plaque signalétique de la fournaise pour connaître la configuration de gaz des modèles spécifiques. Ne pas utiliser la fournaise dans un système ou une application de prélèvement de liquide de gaz propane. Si vous avez des doutes, communiquer avec L.B. White Co., Inc.
13. Prendre le temps de comprendre comment utiliser et entretenir la fournaise à l'aide de ce mode d'emploi. S'assurer de savoir comment couper l'alimentation en gaz du bâtiment et également celui de la fournaise. Communiquer avec votre fournisseur de gaz combustible pour toute question.
14. Toute défaillance constatée dans l'exécution de l'une des procédures d'entretien ou de maintenance doit être corrigée et les pièces défectueuses doivent immédiatement être remplacées. La fournaise doit être testée de nouveau par le personnel de service dûment qualifié avant de la remettre en utilisation.

## Installation du brûleur

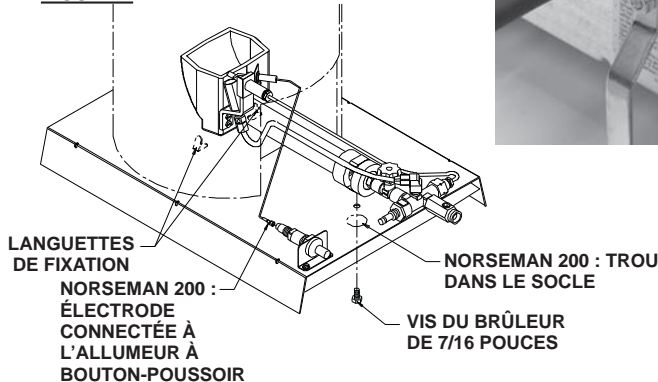
### Norseman 200 Plus et Norseman 250

1. Retirer la vis à tête hexagonale 7/16 sur le dessous du brûleur préassemblé. Consulter la Figure 1.
  2. Installer le brûleur dans l'enceinte de la fournaise. Consulter la Figure 2.
    - a. La tête du brûleur doit être placée entre les languettes de fixation sur le socle de la fournaise.
    - b. Aligner le trou taraudé du brûleur (précédemment occupé par la vis à tête hexagonale) avec le trou de montage du socle.
  3. L'utilisation d'une clé à pipe de 7/16 pouces ou d'une clé à cliquet avec une douille 7/16 pouces vous facilitera la tâche pour assembler le brûleur au socle grâce à la vis retirée lors de l'étape 1.
3. Fournaises Norseman 200 : Enclencher fermement la borne femelle de l'électrode sur la borne mâle de l'allumeur à bouton-poussoir. Consulter la Figure 2.

**FIGURE 1**



**FIGURE 2**

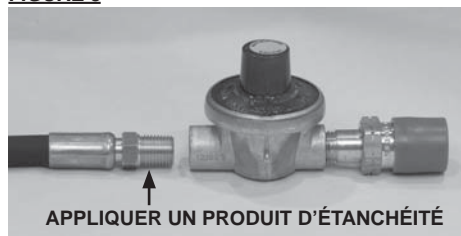


## Tuyau et régulateur Ensemble

### Fournaises au gaz propane

1. Appliquer un petit peu de produit d'étanchéité sur les filets du raccord rigide du tuyau. Raccorder cette extrémité à la sortie du régulateur. Consulter la Figure 3. Bien serrer. Le modèle Workman 225 est celui apparaissant sur la photo.
2. Raccorder l'extrémité opposée du tuyau avec l'écrin prévu à cet effet au robinet de sûreté de la fournaise. Consulter la Figure 4. Bien serrer. (Le modèle Workman 225 Plus est celui apparaissant sur la photo.)

**FIGURE 3**



**FIGURE 4**



**REMARQUE :**

Les fournaises Norseman 200 et Norseman 250 utilisent un tuyau ayant des écrous d'accouplement aux deux extrémités.

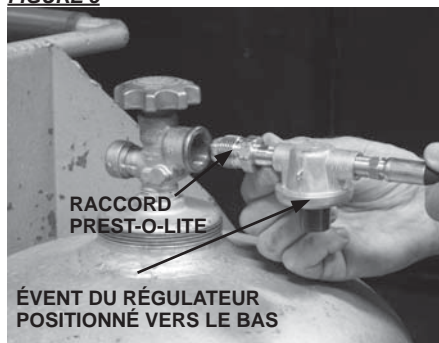
- Brancher une extrémité au robinet de sûreté de la fournaise.
- Brancher l'extrémité opposée à la sortie du régulateur de l'adaptateur de tuyau.

## Raccordement du régulateur à l'approvisionnement en gaz

### Fournaises à gaz propane (Workman 225 Plus, Norseman 200 Plus et Norseman 250)

1. Enlever le capuchon de protection du raccord Prest-O-Lite. Ne pas jeter le capuchon. Positionner le régulateur comme indiqué pour protéger son évent ou installer un capot de protection sur le régulateur et le robinet cylindrique.
  2. Insérer le raccord Prest-O-Lite sur le robinet d'alimentation en propane. Consulter la Figure 5. Visser l'écrou dans le sens antihoraire sur le robinet d'alimentation en propane. Serrer l'écrou avec une clé.
- Lors du stockage ou du transport de la fournaise, assurez-vous que le capuchon soit bien en place sur le raccord Prest-O-Lite pour éviter de l'endommager ou de laisser entrer de la poussière dans le régulateur.

**FIGURE 5**



**FIGURE 6**



### Fournaises au gaz naturel (Workman 100 Plus au gaz naturel)

- Raccorder le tuyau d'alimentation en gaz à l'entrée du régulateur situé sur la fournaise. Consulter la Figure 6. Ce régulateur fonctionne avec une pression maximale d'entrée de 3,36 kPa (13,5 pouces de colonne d'eau) et une pression minimale d'entrée de 1,74 kPa (7,0 pouces de colonne d'eau). Il réduit la pression d'entrée à 1,27 kPa (5,1 pouces de colonne d'eau) pendant le fonctionnement.

**Pour des pressions d'entrée supérieures à 3,36 kPa (13,5 pouces de colonne d'eau), un régulateur supplémentaire devra être placé en amont de celui de la fournaise pour réduire la pression d'entrée au niveau requis.**

## Instructions d'allumage

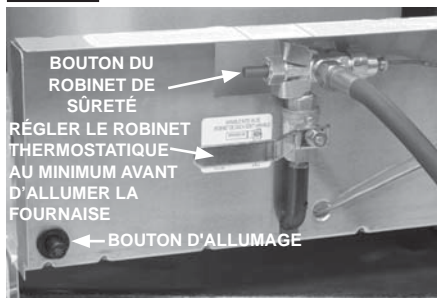
### Workman 225 Plus

#### **AVERTISSEMENT** Risque de brûlure

- Avant d'allumer la fournaise, assurez-vous que le robinet thermostatique soit bien réglé sur le minimum. Consulter la Figure 7.
- Si vous oubliez cette étape, le brûleur s'allumera tout de suite à pleine capacité.
- Cela augmentera le risque de brûlures, celles-ci pouvant entraîner des blessures graves ou même la mort.

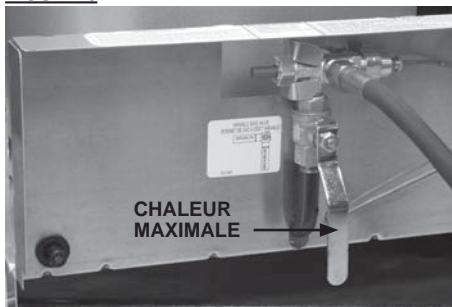
1. Ouvrir lentement le robinet d'alimentation en gaz propane de la bonbonne. (Cela empêche la fermeture du limiteur de débit intégré au raccord Prest-O-Lite du régulateur.)
2. Maintenir le bouton du robinet de sûreté enfoncé à fond et appuyer sur le bouton d'allumage. Le brûleur se mettra en marche. Consulter la Figure 7.

**FIGURE 7**



- Sur les nouvelles installations, il peut s'écouler une courte période pour que le gaz purge l'intégralité de l'air et que le brûleur s'allume.
3. Garder le bouton du robinet enfoncé pendant environ 30 secondes pour permettre au thermocouple de chauffer.
  4. Relâcher le bouton du robinet de sûreté.
  5. Une fois que le brûleur est allumé, le robinet thermostatique peut être réglé comme vous le souhaitez, entre le minimum et le maximum. Consulter la Figure 8.

**FIGURE 8**



## Instructions d'arrêt

1. Fermer le robinet d'alimentation en gaz propane de la bonbonne.
2. Laisser la fournaise brûler tout le gaz de carburant restant dans la conduite d'alimentation.
3. Régler le robinet thermostatique au minimum.
4. Débrancher l'alimentation en gaz de la fournaise.

## Instructions d'allumage

## Norseman 200 Plus et Norseman 250

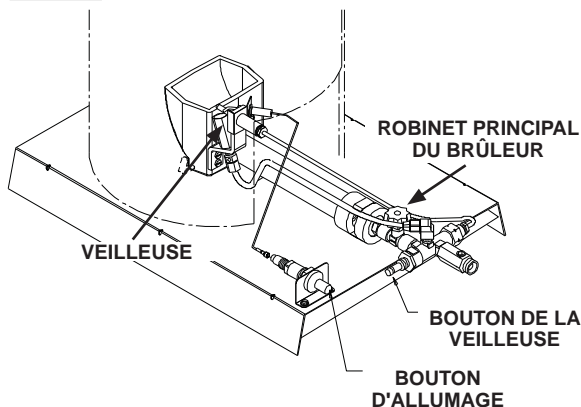
### ⚠ AVERTISSEMENT

#### Risque de brûlure

- Avant d'allumer fournaise, assurez-vous que le robinet manuel principal du brûleur soit complètement fermé. Consulter la Figure 9.
- Si vous oubliez cette étape, le brûleur s'allumera tout de suite à plein régime.
- Cela augmentera le risque de brûlures, celles-ci pouvant entraîner des blessures graves ou même la mort.

1. Ouvrir lentement le robinet d'alimentation en gaz propane de la bonbonne.  
(Cela empêche la fermeture du limiteur de débit intégré au raccord Prest-O-Lite du régulateur.)
2. **Norseman 200 Plus :**  
Maintenir le bouton du robinet de sûreté de la veilleuse enfoncé à fond et appuyer sur le bouton d'allumage.  
**Norseman 250 :**  
Approcher une flamme au-dessus de la veilleuse. Ensuite, appuyer sur le bouton du robinet de sécurité pour l'allumer.
- Sur les nouvelles installations, il peut s'écouler une courte période pour que le gaz purge l'intégralité de l'air, que la veilleuse s'allume et demeure allumée.
3. Une fois que la flamme de la veilleuse est allumée, maintenir le bouton du robinet enfoncé pendant environ 30 secondes pour permettre au thermocouple de chauffer.
4. Relâcher le bouton du robinet de sûreté.
5. Ouvrir lentement le robinet manuel principal du brûleur situé entre le robinet de sûreté de la veilleuse et le brûleur.

FIGURE 9



## Instructions d'arrêt

A. Pour correctement éteindre la fournaise après utilisation normale ou quand une utilisation ultérieure est prévue :

-- Fermer le robinet manuel principal du brûleur sur la fournaise.  
La veilleuse restera allumée.

B. Pour correctement éteindre la fournaise pour la stocker ou quand aucune utilisation ultérieure n'est prévue :

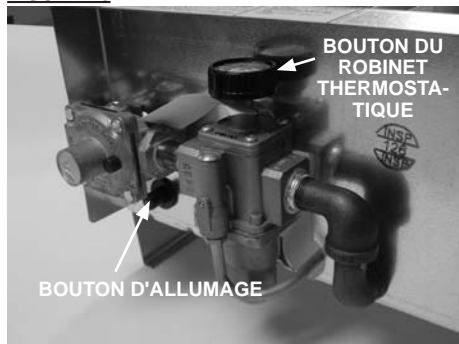
1. Fermer le robinet d'alimentation en gaz propane de la bonbonne. Laisser la fournaise brûler le gaz restant dans son tuyau.
2. Fermer le robinet manuel principal du brûleur sur la fournaise.
3. Débrancher l'alimentation en gaz de la fournaise.

## Instructions d'allumage

### Workman 100 Plus au gaz naturel

1. Suivre les instructions indiquées sur le bouton du robinet de sûreté pour allumer la fournaise :
  - Tourner le bouton dans le sens antihoraire (CCW) de OFF jusqu'à la position PILOT.
  - Maintenez le bouton enfoncé et appuyer répétitivement sur le bouton d'allumage.
- Maintenir le bouton enfoncé dans la position PILOT pendant environ 30 secondes pour permettre au thermocouple de chauffer.
- Sur les nouvelles installations, il peut s'écouler une courte période pour le gaz purge l'intégralité de l'air, que la veilleuse s'allume et demeure allumée.
- Relâcher le bouton du robinet de sécurité.
- Tourner le bouton dans le sens antihoraire sur ON. Le brûleur principal se mettra en marche.

**FIGURE 10**



## Instructions d'arrêt

- A. Pour correctement éteindre la fournaise après utilisation normale ou si une utilisation ultérieure est prévue :
  - Tourner le bouton du robinet de sécurité de la veilleuse sur la position PILOT. Le brûleur principal s'éteindra, mais la flamme restera allumée.
- B. Pour correctement éteindre la fournaise pour la stocker ou si aucune utilisation ultérieure n'est prévue :
  1. Fermer le robinet d'alimentation en carburant.
  2. Laisser la fournaise brûler tout le gaz restant dans le tuyau d'alimentation.
  3. Appuyer légèrement sur le bouton du robinet de sécurité et tournez-le dans le sens horaire jusqu'à la position OFF.
  4. Débrancher l'alimentation en gaz de la fournaise.

## Instructions de nettoyage



### **AVERTISSEMENT**

#### **Danger d'incendie, de brûlure et d'explosion**

- Cette fournaise contient des composants mécaniques utilisés dans les systèmes de gestion du gaz et de la sécurité.
- Ces composants peuvent devenir inopérants ou défaillir à cause de la poussière, de la saleté, de l'usure ou du vieillissement.
- Un nettoyage et une inspection périodiques ainsi que l'entretien adéquat sont essentiels pour éviter les blessures ou les dommages graves.

1. Avant de nettoyer la fournaise, fermer tous les robinets d'alimentation en gaz.
2. Toute saleté ou poussière doit périodiquement être enlevée de la fournaise :
  - a. Avant chaque utilisation, nettoyer de façon globale le boîtier et les composants internes de la fournaise à l'aide d'air comprimé, d'une brosse douce ou d'un chiffon sec.
  - b. Au moins une fois par an, nettoyer la fournaise en profondeur. À ce moment, brosser et dépoussiérer le brûleur et les autres composants de la fournaise.



### **AVERTISSEMENT**

Ne pas utiliser un nettoyeur haute pression, ni de l'eau ou une solution de nettoyage liquide sur les composants de contrôle de gaz. L'utilisation d'un nettoyeur haute pression, d'eau ou d'une solution de nettoyage liquide sur les composants de contrôle peut entraîner des blessures graves ou des dégâts matériels.

\* Cela pourrait créer de la corrosion sur les robinets entraînant ainsi des fuites de gaz pouvant déclencher un incendie ou une explosion.

Nettoyer tous les composants de la fournaise avec de l'air pressurisé, un pinceau sec ou un chiffon sec.



# Instructions de maintenance

## AVANT CHAQUE UTILISATION :

1. Vérifier que la zone entourant la fournaise est dégagée et libre de matériaux combustibles, d'essence ainsi que d'autres vapeurs et liquides inflammables.
2. Inspecter le tuyau de gaz. Remplacer le tuyau de gaz immédiatement si vous trouvez des entailles ou des coupures.
3. Pour les fournaises dotées d'un allumeur à bouton-poussoir, assurez-vous que le câble reliant l'allumeur à l'électrode est en bon état, sans entailles ni coupures. Remplacer l'électrode (et ses câbles de connexion) si des défaillances sont constatées.
4. Vérifier s'il y a des fuites de gaz à l'aide de détecteurs de fuites approuvés.
5. Passer en revue toutes les marques de la fournaise (par exemple, avertissements, démarrage, arrêt, etc.) au moment de l'entretien pour en assurer la lisibilité. Assurez-vous qu'aucune n'est coupée, déchirée ou endommagée. Toute inscription endommagée doit être immédiatement remplacée en communiquant avec L.B. Les plaques signalétiques, les instructions de démarrage et d'arrêt ainsi que des mises en garde sont fournies sans frais par White Co., Inc.
6. Vérifier que le régulateur est adapté à la fournaise utilisée. Les régulateurs sont configurés pour des pressions différentes, et ce, en fonction des exigences de conception de la fournaise. L'utilisation d'un régulateur inapproprié pourrait résulter en une combustion trop ou pas assez importante, ceci entraînant une accumulation de suie, des niveaux de monoxyde de carbone trop élevés et des dommages à la fournaise ou à son environnement. En cas de doute, communiquer avec L.B. White Co.
7. Inspecter le régulateur pour vous assurer que son évent n'est pas bloqué. Les débris, les insectes, les nids d'insectes, le goudron, la neige ou la glace sur un régulateur peuvent bloquer les ouvertures et provoquer une pression excessive sur la fournaise.

## ANNUELLEMENT :

1. Les régulateurs peuvent s'user et fonctionner incorrectement. Demander à votre fournisseur de gaz de vérifier les codes de date sur tous les régulateurs installés ainsi que la pression de livraison de l'appareil pour vous assurer que le régulateur est fiable.

## Instructions d'entretien courant

### **AVERTISSEMENT** Risque de brûlure

- Les surfaces de la fournaise sont chaudes pendant une certaine période après l'arrêt de la fournaise.
- Laisser la fournaise refroidir l'appareil avant d'en effectuer le service courant, la maintenance ou le nettoyage.
- Le non-respect de cet avertissement pourrait entraîner des brûlures.

### **AVERTISSEMENT** Incendie et explosion

- Ne pas démonter ou tenter de réparer les composants de la fournaise ou les composants du terminal de gaz comme les robinets ou les tuyaux de gaz.
- Tous les composants doivent être remplacés si des défauts sont constatés.
- Le non-respect de cet avertissement peut causer un incendie ou une explosion, causant des dommages matériels, des blessures voire la mort.

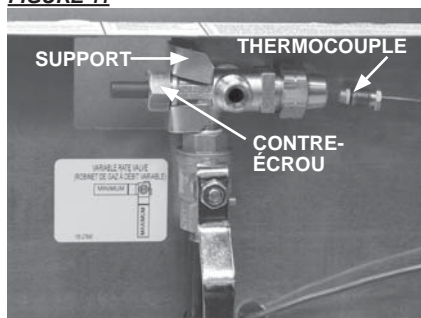
1. Avant d'effectuer l'entretien, ouvrir le robinet d'alimentation en carburant se rendant à la fournaise.
  2. Débrancher le thermocouple du robinet de sûreté lors de l'entretien (soit du robinet de sûreté de la veilleuse ou de l'orifice du brûleur).
  3. **Workman 225 Plus et Workman 100 Plus NG** : Retirer le canon de la fournaise pour pouvoir accéder aux composants du brûleur.
- Norseman 200 Plus et Norseman 250** : Retirer la vis de fixation de 7/16 pouces du brûleur se trouvant en dessous du boîtier et sortez-le de ce dernier pour réviser ses composants.
4. Débrancher le tuyau de gaz si nécessaire pendant l'entretien.
  5. Pour le remontage, inverser la procédure respective. Assurez-vous que les raccords de gaz sont bien serrés et qu'il n'y a aucune fuite avant d'allumer la fournaise.
  6. Nettoyer l'orifice de la fournaise avec de l'air comprimé ou un chiffon doux et sec. Ne pas utiliser des limes, des perceuses, etc., qui pourraient élargir les trous, provoquant ainsi des problèmes de combustion ou permettant à la flamme du brûleur de sortir de l'enceinte qui lui est réservée. Remplacer le composant si les orifices ne peuvent pas être correctement nettoyés.

### WORKMAN 225 PLUS

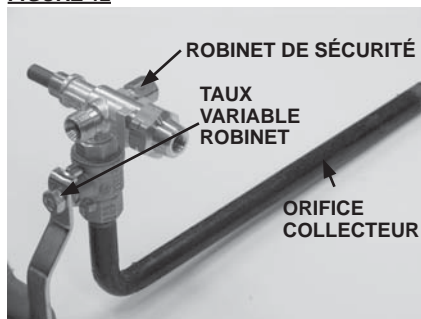
#### Admission/orifice du brûleur et robinet de sûreté Voir les Figures 11 et 12.

1. Redresser les languettes du support de montage et retirer le thermocouple du robinet de sûreté
2. Retirer le contre-écrou qui maintient le robinet de sûreté à son support de montage.
3. Tirer le bouton de sûreté comportant le collecteur de la fournaise.
4. Remplacer ou nettoyer les composants, le cas échéant.

**FIGURE 11**



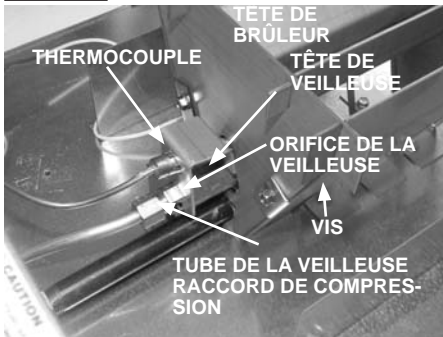
**FIGURE 12**



### WORKMAN 100 PLUS AU GAZ NATUREL Orifice de la veilleuse

1. Retirer le thermocouple du support de montage et desserrer le raccord de compression de la conduite de la veilleuse. Repositionner soigneusement la conduite de la veilleuse à l'écart de l'orifice de la veilleuse.
2. Retirer les vis qui fixent la tête du brûleur à la base de la fournaise. Consulter la Figure 13.
3. Faire glisser la tête du brûleur de la base pour exposer les orifices de la veilleuse et du brûleur.

**FIGURE 13**

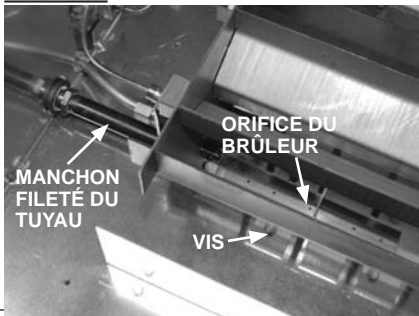


4. Une fois la tête du brûleur déplacée, utiliser les clés appropriées pour maintenir la tête de la veilleuse en place tout en retirant l'orifice de la veilleuse.

### Orifice du brûleur :

-- Suivre les étapes 1 à 3 ci-dessus. Tenir le raccord de tuyau entre le robinet de sécurité et l'orifice du brûleur avec une clé tout en retirant l'orifice du brûleur avec une clé à molette ou à extrémité ouverte appropriée. Consulter la Figure 14 pour connaître l'emplacement du manchon fileté et de l'orifice du brûleur.

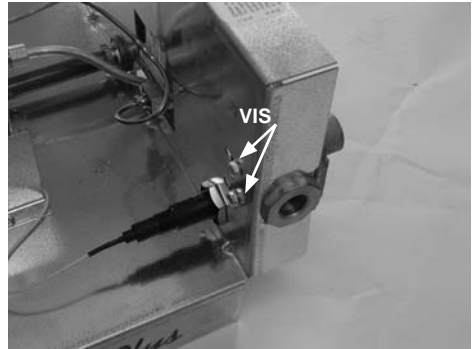
**FIGURE 14**



### Robinet de sûreté et régulateur de gaz :

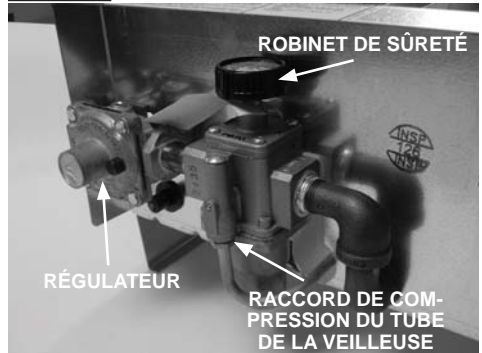
1. Retirer les deux vis à tête hexagonale qui fixent le régulateur au panneau vertical de la fournaise. Consulter la Figure 15.

**FIGURE 15**



2. Desserrer le raccord de compression du tube de la veilleuse sur le robinet de sûreté et repositionner soigneusement le tube de la veilleuse à une distance du robinet de sûreté. Consulter la Figure 16.

**FIGURE 16**

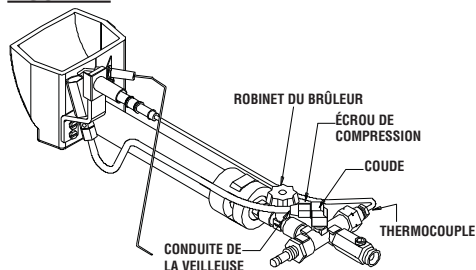


3. Desserrer l'écrou de connecteur du thermocouple au robinet de sûreté
4. Tirer l'ensemble complet du régulateur/robinet de sûreté sécurité/orifice du brûleur de la fournaise. Au besoin, démonter pour remplacer le robinet.

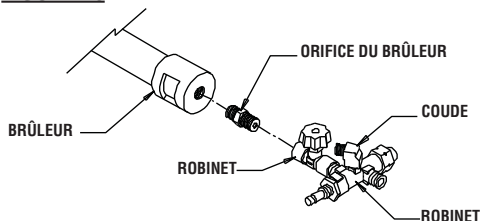
**NORSEMAN 200 PLUS ET NORSEMAN 250**  
**Orifice du brûleur (consulter la Figure 17)**

1. Déconnecter l'écrou de compression du coude en laiton et le thermocouple du robinet de commande de la veilleuse.
2. Repositionner soigneusement la conduite de la veilleuse et le thermocouple à l'écart du robinet de sûreté
3. Démontez les éléments suivants :
  - Commande de la veilleuse avec robinet manuel de l'orifice du brûleur
  - Enlever l'orifice et le boîtier intérieur du brûleur.
4. Nettoyer l'orifice du brûleur.

**FIGURE 17**



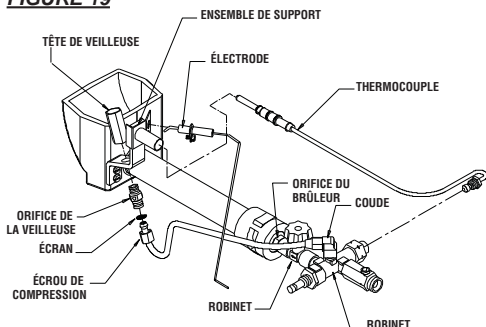
**FIGURE 18**



**Orifice de la veilleuse**  
**(consulter la Figure 19.)**

1. Desserrer l'écrou de compression à l'orifice de la veilleuse et repositionner soigneusement le tube de la veilleuse à l'écart de l'orifice.
2. Retirer l'orifice de la tête de la veilleuse et de l'écran de l'entrée de l'orifice.
3. S'assurer que le trou de l'orifice n'est pas bouché.

**FIGURE 19**



**Robinet de sûreté (consulter la Figure 18)**

1. Retirer la conduite de la veilleuse du robinet de sûreté.
2. Retirer le thermocouple au contrôle de sûreté.
3. Desserrer le contrôle de sûreté du robinet du brûleur manuel.

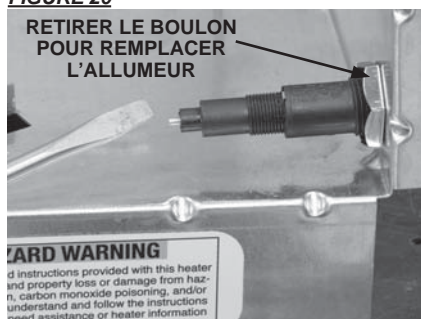
**ALLUMEUR ET ÉLECTRODE****Workman 225 Plus, Norseman 200 Plus et Workman 100 Plus NG**

L'entretien de l'allumeur et l'électrode est nécessaire quand, en appuyant sur le bouton de l'allumeur, aucune étincelle n'est visible à l'électrode. Cela peut se produire dans le cadre d'une utilisation intensive pendant une longue période, ou en raison de l'accumulation de poussière et de saleté.

Si vous ne voyez pas d'étincelle produite à l'électrode, vérifier ce qui suit :

**A. Allumeur**

1. Retirer le fil du bouton-poussoir de l'allumeur.
2. Placer la pointe d'un tournevis à environ 1/8 po de l'allumeur. Consulter la Figure 20.
3. Tenir le tournevis par son manche, pousser à plusieurs reprises sur le bouton de l'allumeur. Si aucune étincelle n'est constatée, remplacer l'ensemble de l'allumeur. Si l'étincelle est observée, passer à l'entretien de l'électrode.

**FIGURE 20****B. Électrode**

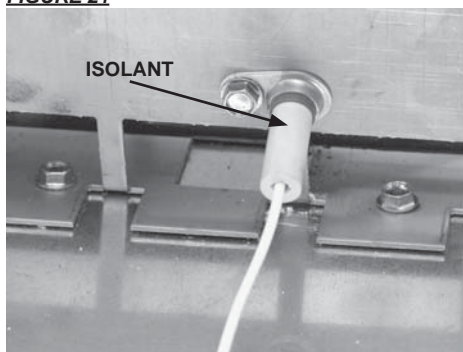
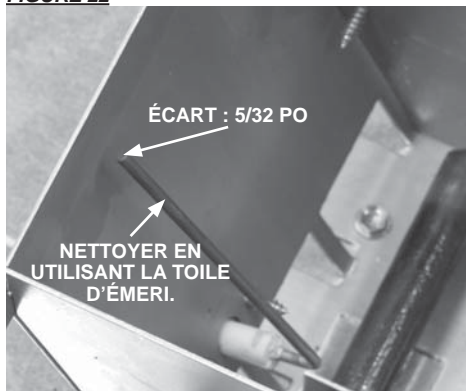
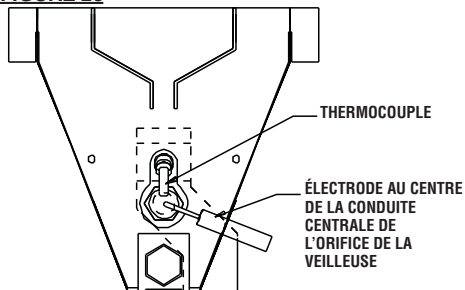
1. S'assurer que le fil entre l'électrode et l'allumeur est correctement connecté.
2. Vérifier que le corps isolant de l'électrode n'est pas fissuré et que la tige de l'électrode ne se déplace pas dans son corps. Consulter la Figure 21. Le cas échéant, remplacer l'électrode.
3. Vérifier si le fil comporte des entailles ou des coupures. Les entailles ou les coupures empêcheront une étincelle d'être générée à la pointe de l'électrode. Remplacer l'électrode le cas échéant. L'électrode est munie du fil.
4. L'écart de la pointe de l'électrode peut varier selon le modèle de fournaise. S'assurer de la bonne position adéquate.

**Workman 225 Plus :** Consulter la Figure 22.

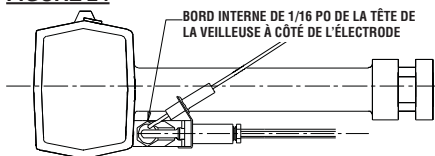
**Workman 100 Plus au gaz naturel :** Consulter la Figure 23.

**Norseman 200 Plus :** Consulter la Figure 24, page 22

Nettoyer l'électrode avec une toile d'émeri ou de la laine d'acier.

**FIGURE 21****FIGURE 22****FIGURE 23**

**FIGURE 24**

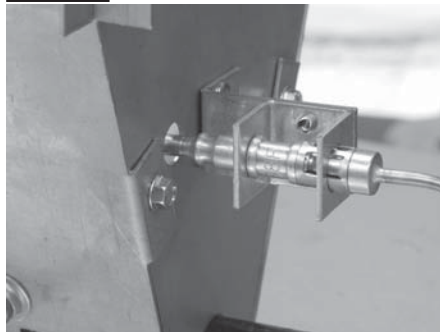


**THERMOCOUPLE – TOUS LES MODÈLES**

Le thermocouple doit être remplacé si le brûleur s'éteint après avoir laissé le thermocouple se réchauffer pendant une période de temps prolongée.

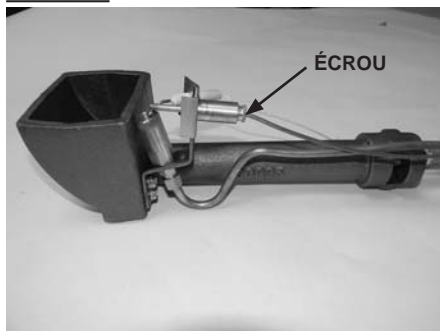
- 1. Workman 225 Plus, Workman 100 Plus au gaz naturel :** Tirer sur le thermocouple pour dégager sa pince de montage du support. Consulter la Figure 25, le modèle Workman 225 Plus est représenté.

**FIGURE 25**



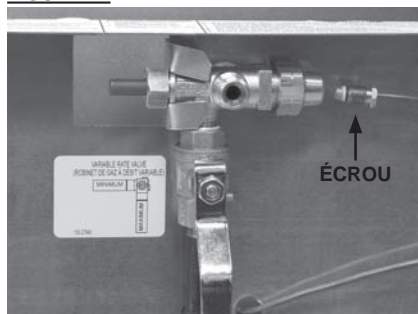
- 2. Norseman 200 Plus et Norseman 250 :** Utiliser une clé et desserrer l'écrou de fixation à l'ensemble de la veilleuse. Consulter la Figure 26, le modèle Norseman 200 Plus est représenté.

**FIGURE 26**



- 3.** Desserrer l'écrou de connecteur de thermocouple qui est vissé dans le robinet de sûreté. Consulter la Figure 27, le modèle Workman 225 Plus est représenté. Retirer le thermocouple.

**FIGURE 27**



- Pour les thermocouples utilisant une pince de montage, lors du remplacement, vérifier qu'il est complètement enfoncé dans son support. Le non-respect de cette consigne peut causer la défaillance du brûleur.
- Lors de la connexion du thermocouple au robinet de sûreté, visser d'abord manuellement le fil du thermocouple au robinet, puis le serrer avec une clé.

Pour déterminer si le thermocouple est défectueux :

Connecter un ohmmètre entre les extrémités du thermocouple.

- Un bon thermocouple indique un certain niveau de résistance de bout en bout.
- Un thermocouple défectueux affichera un circuit ouvert sur l'ohmmètre

## VÉRIFICATIONS DE LA PRESSION DU GAZ

- Cette procédure doit être effectuée une fois par an, avant la saison de chauffage, chaque fois que la fournaise est déplacée, ou après son entretien.

## MATÉRIAUX NÉCESSAIRES

Voir la liste des matériaux nécessaires comme suit, en fonction de la fournaise à vérifier. Acheter ces matériaux localement.

### Quantité Description

- |   |   |
|---|---|
| 1 | Manomètres capables de lire jusqu'à 30 lb/po <sup>2</sup> (utilisation sur les fournaises Workman 225, Norseman 200 et Norseman 250)<br>OU<br>Manomètre basse pression capable de lire jusqu'à 35 po de colonne d'eau (utiliser pour la fournaise Workman 100 Plus au gaz naturel UNIQUEMENT) |
| 1 | coude mâle-femelle en fer noir de 1/8 po. (Requis pour les fournaises Workman 225 Plus UNIQUEMENT)  |
| 1 | Manchon fileté à tuyau de 1/4 po sur 2 po (requis pour les fournaises Norseman 250 UNIQUEMENT)  |
| 1 | Té en fer noir de 1/4 po (requis pour les fournaises Norseman 250 UNIQUEMENT)   |

### A. PRÉPARATION – POUR TOUTES LES FOURNAISES

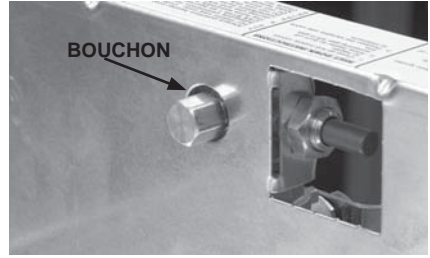
1. Fermer le robinet d'alimentation en carburant au réservoir d'alimentation de gaz propane.
2. Laisser la fournaise brûler tout le carburant restant dans la conduite d'alimentation en gaz.
3. Laisser refroidir la fournaise.
4. **Workman 225 Plus** : Positionner la soupape de chaleur variable à son réglage le plus bas.  
**Norseman 200 Plus et Norseman 250** : Fermer le robinet manuel du brûleur principal.  
**Workman 100 Plus au gaz naturel** : Positionner le bouton du robinet de sûreté en position d'arrêt (OFF).

### B. INSTALLATION DE MANOMÈTRE

#### Workman 225 Plus :

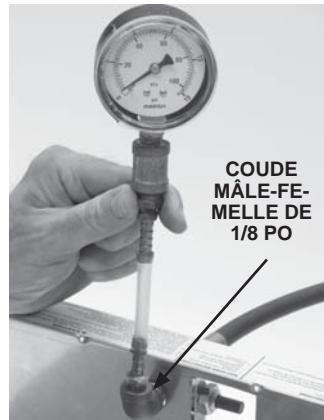
1. Avec une clé, enlever le bouchon du robinet de sûreté comme indiqué à la Figure 28.

**FIGURE 28**



2. Installer un coude mâle-femelle de 1/8 po et un manomètre à ce point. Consulter la Figure 29.

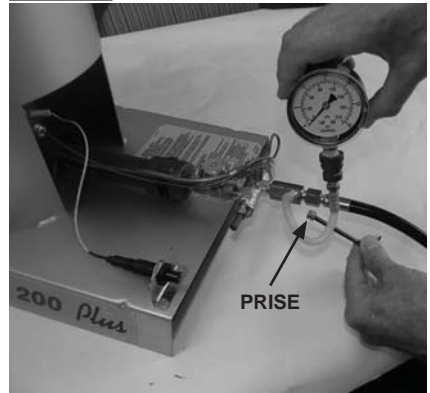
**FIGURE 29**



#### Norseman 200 Plus :

1. En utilisant une clé Allen de 3/16 po, retirer le bouchon hexagonal de l'entrée du robinet. Consulter la Figure 30.

**FIGURE 30**



2. Fixer le manomètre à ce point.



3. Ouvrir le robinet d'alimentation en carburant de la fournaise

**Norseman 250**

1. Retirer l'adaptateur du tuyau de l'entrée du robinet de sûreté des veilleuses.

2. Connecter les matières suivantes dans l'ordre indiqué et serrer fermement. Consulter la Figure 31.

-- Té et à l'entrée du contrôle de sûreté de la veilleuse.

-- Manchon fileté à té.

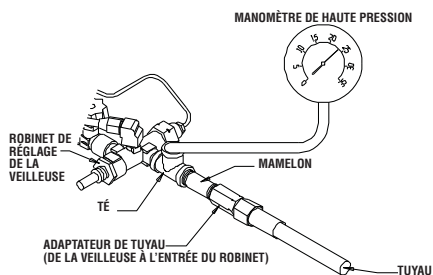
-- Adaptateur de tuyau (comme retiré plus tôt) au manchon fileté.

- Tuyau de gaz à l'adaptateur de tuyau.

3. Connecter le manomètre au té

4. Ouvrir le robinet d'alimentation en carburant de la fournaise

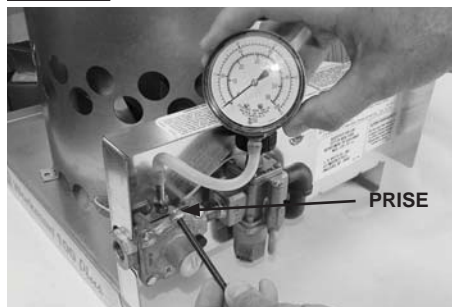
**FIGURE 31**



**Workman 100 Plus au gaz naturel :**

1. En utilisant une clé Allen de 3/16 po, retirer le bouchon de surpression au sommet du régulateur situé sur la fournaise. Consulter la Figure 32.

**FIGURE 32**



2. Fixer le manomètre de basse pression (0 à 35 po de colonne d'eau) à cet endroit.

3. Ouvrir le robinet d'alimentation en carburant se rendant à la fournaise

**C. LECTURES DE LA PRESSION**

1. Allumer la fournaise. Alors que la fournaise est en marche, les manomètres doivent lire les pressions précisées sur la plaque signalétique ou dans la section des spécifications du présent manuel du propriétaire et de la fournaise même.

2. Est-ce que la lecture de pression à l'entrée du robinet de sécurité convient avec les données de la plaque signalétique? Si la réponse est positive, aucune autre vérification ou aucun autre réglage n'est nécessaire. Passer à la section D.

3. Si les pressions d'entrée ne conviennent pas avec ce qui est précisé sur la plaque signalétique, vérifier ce qui suit :

-- Mauvais régulateur pour la fournaise.

-- Régulateur déréglé.  
(Remplacer le cas échéant.)

-- Obstruction dans le tuyau de gaz.

-- Taille ou quantité insuffisante de conteneurs d'alimentation en gaz propane.

**D. ACHÈVEMENT**

1. Une fois la pression adéquate confirmée, fermer les robinets d'approvisionnement en gaz.

2. Laisser la fournaise brûler tout carburant restant dans la conduite d'alimentation du gaz.

3. **Norseman 250** : Retirer la jauge, l'adaptateur de tuyau, le manchon fileté et le té. Reconnecter l'adaptateur de tuyau à l'entrée du robinet de sûreté et l'adaptateur tuyau à tuyau.

**Workman 225 Plus** : Retirer le manomètre et le coude mâle-femelle. Remettre le bouchon du robinet de sûreté

**Norseman 200 Plus, Workman 100 Plus au gaz naturel** : Installer le bouchon du robinet de pression sur les fournaises.

4. Serrer tous les raccords. Ouvrir le robinet d'alimentation en carburant et vérifier les fuites de gaz à l'aide de détecteurs de fuites adéquats.

5. Allumer la fournaise et en vérifier le bon fonctionnement.



# Dépannage

## PROBLÈME

## CAUSE

## SOLUTION

1. Le brûleur ou la veilleuse ne s'allume pas.

\* La bonbonne de gaz propane est vide.  
\* Les robinets d'alimentation en carburant sont fermés.

\* Remplir le récipient.  
\* Ouvrir les robinets d'approvisionnement en gaz

\* Le limiteur de débit du raccord Prest-O-Lite sur le régulateur de propane est fermé.

\* Fermer le robinet de la bonbonne de propane. Attendre 5 minutes et ouvrir lentement le robinet de la bonbonne.

\* Le bouton de sûreté n'est pas complètement enfoncé.

\* Enfoncer complètement le bouton.

\* L'orifice du brûleur ou de la veilleuse est bouché.

\* Nettoyer ou remplacer l'orifice.  
\* Retirer le tuyau de la fournaise et y souffler de l'air comprimé ou le remplacer si nécessaire.

\* Obstruction dans le tuyau de gaz.

\* Air dans la conduite de gaz.

\* Pousser le bouton du robinet de sûreté de la veilleuse (normalement 15 à 20 secondes sont suffisantes) sur le robinet de gaz pour purger l'air de la conduite (habituellement nécessaire au moment de l'installation).

**REMARQUE :** **Fornaises avec bouton-poussoir d'allumeur piézo-électrique :** S'assurer d'enfoncer le bouton d'allumage Piezo pendant ce temps pour éviter l'accumulation de gaz.

\* Le robinet de sûreté est défectueux.

\* Remplacer le robinet de sûreté.

\* Allumeur ou électrode défectueux.

\* Se reporter à la section d'instruction d'entretien de l'allumeur et des électrodes pour connaître les problèmes associés à ces pièces.

2. Le témoin de la veilleuse ou du brûleur ne reste pas allumé lorsque le bouton de commande de la sûreté est relâché.

\* Obstruction dans le tuyau de gaz.

\* Voir la solution pour la cause identique au problème n° 1

\* Période de temps insuffisante autorisée pour que le thermocouple se réchauffe.

\* Maintenir le bouton de commande enfoncé pendant 30 secondes pour permettre un échauffement adéquat.

\* Thermocouple lâche.

\* Serrer le thermocouple à la commande du gaz. S'assurer qu'il est bien enfoncé dans son support. Serrer manuellement l'écrou de contact puis bien le serrer avec une clé appropriée.

\* Thermocouple défectueux.

\* Remplacer le thermocouple

\* Orifice bouché

\* Voir la solution pour la cause identique au problème n° 1

\* Robinet de sûreté défectueux

\* Remplacer le robinet de sûreté.

\* Mauvaise pression de gaz

\* Régler la pression en fonction de la pression indiquée sur la plaque signalétique.

3. La flamme sort du brûleur

\* Réglage trop élevé de la pression du carburant.

\* Régler la pression en fonction de la pression indiquée sur la plaque signalétique

\* Blocages dans l'orifice du brûleur ou dans les entrées d'air principales du brûleur.

\* Nettoyer la zone avec une brosse à poils souples et secs, un chiffon ou de l'air comprimé.

4. La fournaise ne livre produit pas la chaleur maximale.

\* Les robinets d'alimentation en gaz ne sont pas complètement ouverts.

\* Ouvrir complètement les robinets.

\* Orifice du brûleur bouché.

\* Nettoyer l'orifice de la fournaise avec de l'air comprimé ou le remplacer.

\* Basse pression de l'alimentation en carburant.

\* Consulter le fournisseur de gaz propane. La bonbonne ou le réservoir doivent être remplacés ou rechargés. Le régulateur doit être ajusté. Vérifier la réglementation appropriée et l'utilisation de gaz combustible.

\* WORKMAN 225 PLUS : Robinet à débit variable non positionné pour le maximum

\* Positionner le robinet au maximum.

\* NORSEMAN 200 OU NORSEMAN 250 : Le robinet du brûleur principal n'est pas complètement ouvert.

\* Ouvrir complètement le robinet manuel du brûleur principal.

5. L'électrode ne fournit pas d'étincelle

\* Écartement incorrect des électrodes.

\* Régler l'écartement des électrodes selon les instructions.

\* Électrode ou conducteur d'électrode défectueux.

\* Remplacer l'électrode.

\* Bouton-poussoir de l'allumeur défectueux.

\* Remplacer l'allumeur.

## Fonction du composant de la fournaise

### BARIL AVEC COUVERCLE (BOÎTIER)

Composante du boîtier vertical. Agit comme une cheminée pour distribuer la chaleur dans la zone environnante.

### BASE

La plate-forme du boîtier métallique utilisée pour soutenir et stabiliser les ensembles du brûleur et du baril.

### BRÛLEUR

Composante à laquelle la combustion des gaz a lieu.

### ORIFICE DU BRÛLEUR

Un dispositif de dosage est utilisé pour alimenter le brûleur à gaz à un taux précis, avec la pression adéquate.

### ÉLECTRODE

Enflamme le gaz au moyen d'une étincelle. Reçoit la tension d'allumage de l'allumeur piézo-électrique.

### TUYAU DE GAZ

Connecteur flexible utilisé pour transporter du gaz entre la conduite d'alimentation de la bonbonne et la fournaise.

### ALLUMEUR PIÉZO-ÉLECTRIQUE

Génère une tension d'allumage lorsque le bouton est enfoncé. Cette tension est envoyée à l'électrode pour fournir une étincelle.

### ORIFICE DE LA VEILLEUSE

Dispositif de dosage utilisé pour fournir du gaz dans le but d'allumer le brûleur principal ainsi que le chauffage du thermocouple.

### TUBE DE LA VEILLEUSE

Un tube de cuivre formé utilisé pour transporter le gaz du robinet de réglage à l'orifice de la veilleuse.

### RÉGULATEUR

Le cœur de toute installation d'alimentation en gaz. Il est utilisé pour fournir une pression de service à la fournaise dans des conditions variables de pression du réservoir.

### ROBINET DE SÛRETÉ

Un robinet de réglage du gaz qui est maintenu ouvert par l'énergie électrique fournie par un thermocouple et qui se ferme automatiquement pour arrêter l'écoulement du gaz vers le brûleur principal lorsque la flamme est éteinte ou devient trop faible pour allumer le thermocouple.

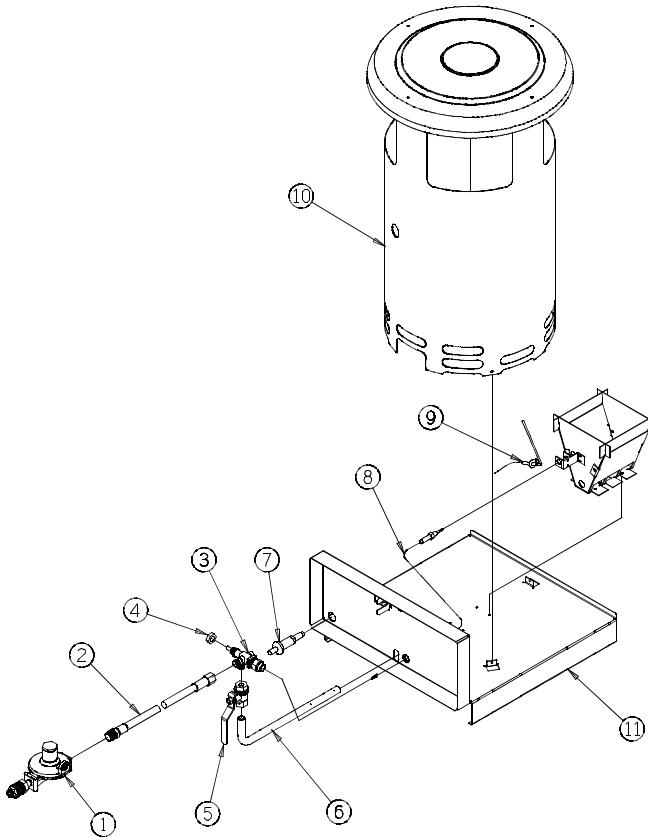
### THERMOCOUPLE

Un dispositif thermoélectrique qui transforme la chaleur directement en énergie électrique. Fonctionne en conjonction avec l'électroaimant du robinet de commande de gaz contribuant ainsi à maintenir l'alimentation en gaz de la veilleuse.

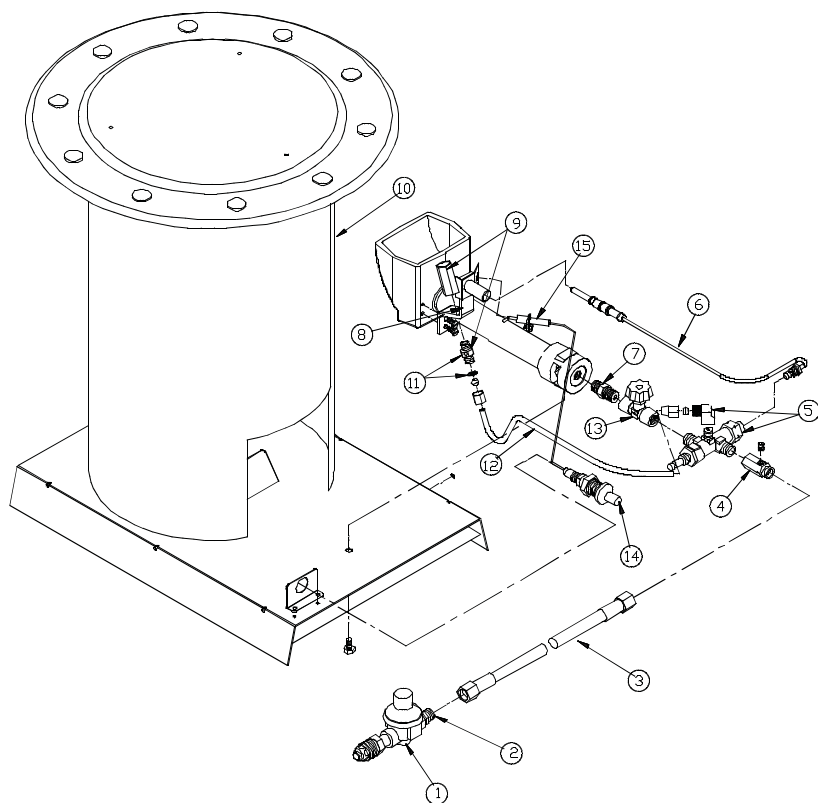
### ROBINET À DÉBIT VARIABLE

Un robinet ajusté manuellement qui permet à l'utilisateur de faire fonctionner la fournaise de sa sortie de chaleur la plus basse à la plus élevée, ou à n'importe quel réglage entre les deux.

## Schémas d'identification des pièces de rechange Workman 225 Plus



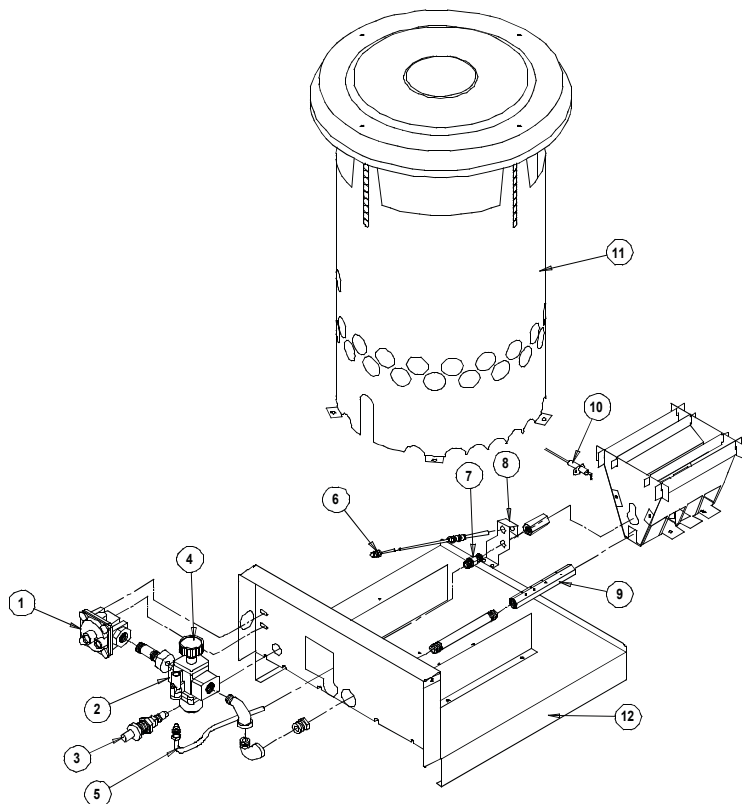
Article	Description	Número de pièce
1	Régulateur avec raccord Prest-O-Lite	550-23463
2	Tuyau, 1/4 po sur 15 pi (4.6 m)	550-20708
3	Robinet, de sûreté	572506
4	Contre-écrou	572587
5	Robinet, à taux variable	572507
6	Orifice du collecteur	572508
7	allumeur piézo-électronique	570434
8	Thermocouple	571030
9	Électrode	572509
10	Baril avec couvercle	572505
11	Base	572510

Schémas d'identification des pièces de rechange  
Norseman 200 Plus et Norseman 250

Article	Description	Numéro de pièce
1	Régulateur avec raccord Prest-O-Lite et adaptateur de tuyau	550-21788
2	Adaptateur, tuyau	500-25790
3	Tuyau, 1/4 po sur 15 pi (4.6 m)	550-20500
4	Adaptateur, tuyau, avec bouchons de surpression	500-23633
5	Robinet, sûreté de la veilleuse	500-20356
6	Thermocouple	571823
7	Orifice du brûleur (Norseman 200 Plus)	571582
	(Norseman 250)	571573
8	Support, veilleuse (Norseman 200)	571584
	(Norseman 250)	571574

9	Tête, veilleuse avec orifice ve illeuse	571048
10	Boitier, avec étiquettes (Norseman 200 Plus)	500-23373
	(Norseman 250)	500-22338
11	Orifice, veilleuse avec écran	571577
12	Tube, veilleuse avec écrous et manchons	520529
13	Robinet, brûleur manuel	570963
14	Allumeur (Norseman 200 Plus)	570434
15	Électrode avec fils (Norseman 200 Plus)	571068

## Schémas d'identification des pièces de rechange Workman 100 Plus au gaz naturel



Article	Description	Numéro de pièce
1	Régulateur, gaz naturel	571528
2	Robinet, de sûreté de la veilleuse	573264
3	Allumeur avec écrou	570434
4	Bouton de robinet	573265
5	Tube, veilleuse	571515
6	Thermocouple	573713
7	Orifice, veilleuse	571557
8	Support	571022
9	Orifice, brûleur	571580
10	Électrode	571068
11	Baril avec couvercle	571505
12	Base	571592



# Politique de garantie

## **FOURNAISE**

L.B. White Co., Inc. garantit que les éléments constitutifs de sa fourniture sont exempts de défauts de matériaux et de fabrication, lorsqu'ils sont correctement installés, utilisés et entretenus conformément aux directives d'installation et d'entretien, aux guides de sécurité et aux étiquettes apposées sur chaque unité. Si, dans les douze mois à compter de la date d'achat par l'utilisateur final, un composant est jugé défectueux, L.B. White Co., Inc., à sa discrétion, réparera ou remplacera la pièce défectueuse ou la fourniture, au moyen d'une nouvelle pièce ou une fourniture, F.O.B., Onalaska, Wisconsin. L'enregistrement de votre produit en ligne auprès de L.B. White qualifiera automatiquement un appareil et ses composants à la garantie. Si un produit n'a pas été enregistré auprès de L.B. White, une copie de l'acte de vente sera nécessaire pour établir l'admissibilité à la garantie. Si ni l'un ni l'autre n'est disponible, la période de garantie sera de douze mois à compter de la date d'expédition des locaux de L.B. White.

## **PIÈCES**

L.B. White Co., Inc. garantit que les pièces de rechange achetées à la société et utilisées sur l'équipement L.B. White approprié sont exemptes de défauts à la fois de matériel et de fabrication pendant douze mois à compter de la date d'achat par l'utilisateur final. La garantie est automatique si un composant est jugé défectueux dans les douze mois suivant le code de date indiquée sur la pièce. Si le défaut se produit plus de 24 mois plus tard que le code de date, mais dans les douze mois à compter de la date d'achat par l'utilisateur final, une copie d'une facture de vente sera nécessaire pour établir l'admissibilité à la garantie.

La garantie énoncée ci-dessus est la garantie exclusive fournie par L.B. White, et toutes les autres garanties, y compris les garanties implicites de qualité marchande ou d'adéquation à un usage particulier, sont expressément exclues. Dans le cas où une garantie implicite n'est pas expressément accordée en raison de la loi, cette garantie implicite est limitée en durée à la durée de la garantie applicable indiquée ci-dessus. Les solutions mentionnées ci-dessus représentent les seuls et exclusifs recours disponibles aux termes des présentes. L.B. White ne pourra être tenue responsable des dommages indirects ou consécutifs, directement ou indirectement liés à la vente, la manutention ou l'utilisation de l'équipement, et

dans tous les cas, la responsabilité de L.B. White en lien avec l'équipement, y compris pour les réclamations reposant sur la négligence ou la responsabilité stricte, est limitée au prix d'achat.

Certains États et certaines provinces ne permettent pas les délais de prescription quant à la durée d'une garantie implicite, ainsi le délai de prescription ci-dessus peut ne pas vous concerner.

Certains États et certaines provinces ne permettent pas l'exclusion ou la limitation des dommages indirects ou consécutifs, de sorte que la limitation ou l'exclusion ci-dessus peut ne pas vous concerner. Cette garantie vous procure des droits juridiques précis et vous pouvez également avoir d'autres droits qui varient d'une province à l'autre.

Pour enregistrer votre produit et vous assurer d'obtenir la garantie intégrale, rendez-vous à l'adresse [http://www.lbwhite.com/customer\\_care\\_center/product-registration/](http://www.lbwhite.com/customer_care_center/product-registration/). Veuillez avoir les numéros de série et les modèles sous la main des produits que vous enregistrez.

## Service courant, maintenance et entretien

Communiquer avec votre distributeur L.B. White local pour obtenir des pièces de rechange et assurer le service courant. Vous pouvez également appeler L.B. White Co., Inc. au 1 800 345-7200, pour obtenir de l'assistance ou par courriel à l'adresse [customerservice@lbwhite.com](mailto:customerservice@lbwhite.com).

Assurez-vous d'avoir votre numéro de modèle de la fourniture ainsi que le numéro de configuration sous la main lors de l'appel.



## **FOURNISSEUR MONDIAL - SOLUTIONS INNOVANTES DE CHAUFFAGE**

411 Mason Street, Onalaska, WI 54650

1 800 345-7200 • 608 783-5691

608 783-6115 (télécopieur)

**[www.lbwhite.com](http://www.lbwhite.com)**