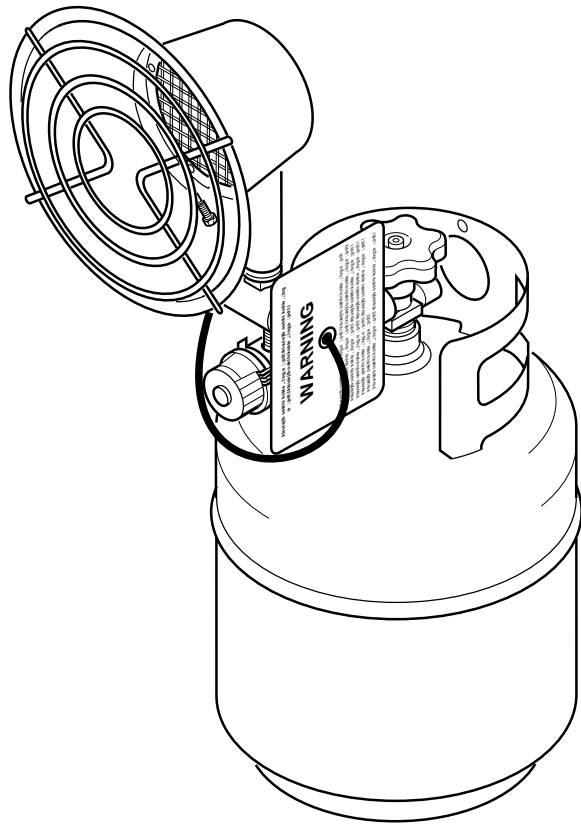


Infra-Red Tank Top Heater Owner's Manual Model HD12B



Heater Size: 8,000 – 12,000 BTU/Hr

Safety Information

Make certain you read and understand all warnings. Do not allow anyone who has not read this manual to operate this heater. Keep this manual for reference. It is your guide to safe and proper operation of this heater.

1. Read and understand this manual before assembling or using this heater. Improper use of this heater can cause serious injury.
2. For outdoor use only. Do not use inside house, camper, tent, vehicle, or any type of unvented or enclosed area.
3. Never operate heater while sleeping or unattended.
4. Minimum heater clearances from combustibles:
Top, Front, and Sides: 3 Ft.
5. Use only in well-vented areas.
6. Use only propane gas set up for vapor withdrawal.
7. Before connecting heater to the propane tank, make sure the heater regulator knob is in the "OFF" position. Always connect and light heater in areas free of open flames.
8. Before each use, check heater for leaks. Never use an open flame to check for a leak. Apply a mixture of liquid soap and water to all joints. Bubbles forming show a leak. Correct all leaks at once.
9. Locate propane tank on a stable and level surface. The heater burner must be at least two feet above the floor. Always attach heater to propane tank in an upright position. Never operate heater on its side or attach to propane tank in a horizontal position. This could lead to dangerous flare-ups or fire.
10. Keep children and animals away from heater.
11. Do not use heater below ground level. Propane is heavier than air. If a leak occurs, propane gas will sink to the lowest possible level. If you smell gas or suspect a leak, shut off the propane tank valve at once and ventilate the area. Do not strike a match or create any flame or electric spark. Find and correct the leak before attempting to light any appliance. If you cannot correct leak, do not tamper with heater. Return heater to nearest authorized service center or to address on back page of this manual, freight prepaid.
12. Do not move or handle a hot or operating heater. Do not attach or remove a hot or operating heater from the propane tank. Severe burns may result.
13. Always remove heater from propane tank after each use. Always store propane tank outdoors. Never store propane tank in an enclosed area. Never store propane tank near high heat, open flame, or where temperatures exceed 120° F.
14. Keep all connections and fittings clean. Make sure the propane tank valve outlet is clean. Check the rubber "O" ring on the heater inlet fuel connector for damage before each use. Replace if worn or damaged.

Connecting Heater To Propane Tank

Read and understand all safety information before connecting heater to propane tank.

1. Make sure heater regulator knob is in the "OFF" position.
2. Wrench tighten the fuel connector nut into the propane tank valve (see Figure 1). Turn fuel connector nut counterclockwise to tighten. Threads are left-handed. **WARNING: Attach heater in upright position as shown in Figure 1. Never attach heater in a horizontal position. This could lead to dangerous flare-ups or fire.**
3. Open propane tank valve on propane tank slowly.
4. Check all fittings for leaks. Apply a mixture of liquid soap and water to all joints. Bubbles forming show a leak. Correct all leaks at once. **WARNING: Never use an open flame to check for a leak.**
5. Always remove heater from propane tank after each use. Do not store heater while attached to propane tank.

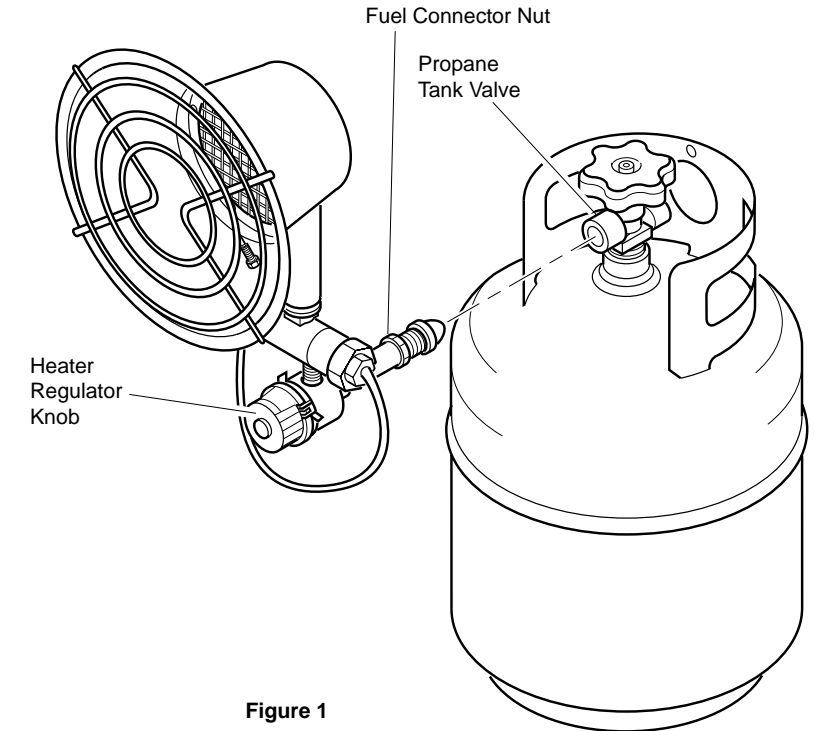
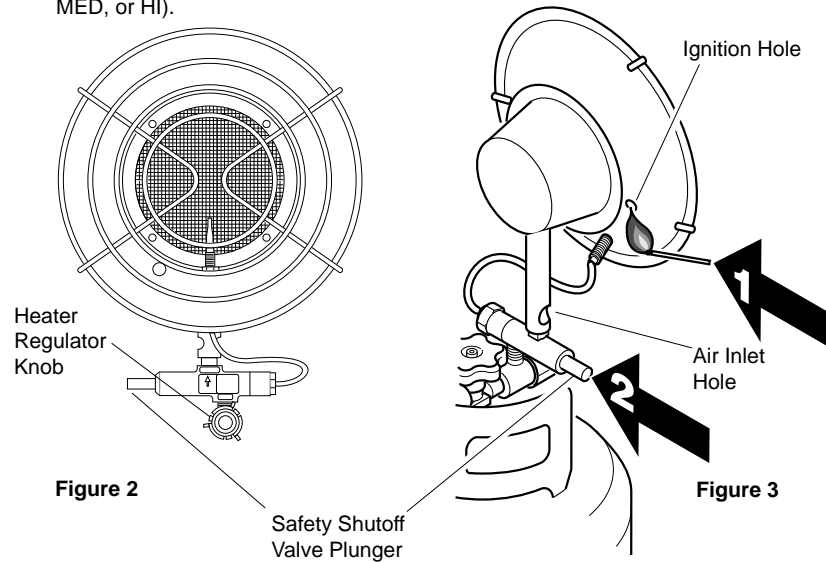


Figure 1

To Light Heater

Read and understand all safety information before operating heater.

- WARNING: Make sure there is no open flame in the area.** Fully open the propane tank valve.
- Turn the heater regulator knob counterclockwise to the "HI" position.
- WARNING: Stand to the side of the heater while lighting. Do not stand or have any part of your body in front of heater while lighting.** Locate ignition hole in underside of burner (see Figure 3). Hold a lit match under ignition hole. **CAUTION: Do not insert match into air inlet holes in mixing tube.** Push in the safety shutoff valve plunger (see Figure 3). **WARNING: Do not push in safety shutoff valve plunger before inserting lit match.** Burner should light. Mesh screen on burner glows red when lit. After burner is lit, continue holding in safety shutoff valve plunger (about 10 to 30 seconds) until heater stays lit.
- If the burner does not light within 30 seconds, turn the regulator knob to the "OFF" position. Wait at least two minutes for the gas to dissipate before relighting.
- If heater will not light after repeated tries, do not attempt to repair heater. Return heater to nearest authorized service center or to address on back page of this manual, freight prepaid.
- After burner lights, turn the heater regulator knob to the desired heat setting (LOW, MED, or HI).



To Turn Off Heater

- Tightly close propane tank valve by turning clockwise.
- Turn the heater regulator knob to the "OFF" position. Wait at least 15 minutes for the heater to cool before handling heater.
- Always remove the heater from the propane tank after each use. Do not store heater while attached to propane tank. Remove the heater from the propane tank by turning the fuel connector nut clockwise. Always store propane tank outdoors. Never store propane tank in an enclosed area.

Technical Service and Replacement Parts

For assistance in servicing your heater and parts under warranty, contact the Technical Service Department at 1-800-323-5190.

Parts Under Warranty: Contact authorized dealers of this product. If they can't supply original replacement parts, either contact your nearest authorized service center or call DESA International's Technical Service Department at 1-800-323-5190.

Parts Not Under Warranty: Contact authorized dealers of this product. If they can't supply original replacement parts, either contact your nearest authorized service center or call DESA International's Parts Department at 1-800-972-7879 for information.

Accessory

LPA5000 Tank Stabilizer

For use with 20-pound propane tank.

Replacement Parts

Item	Description	Part Number
1	Burner Guard	100911-01
2	Thermocouple	100886-01
3	Regulator with Fuel Gas Connector	100910-01
4	Owner's Manual (not shown)	100925-01
5	Warning Decal (not shown)	100912-01

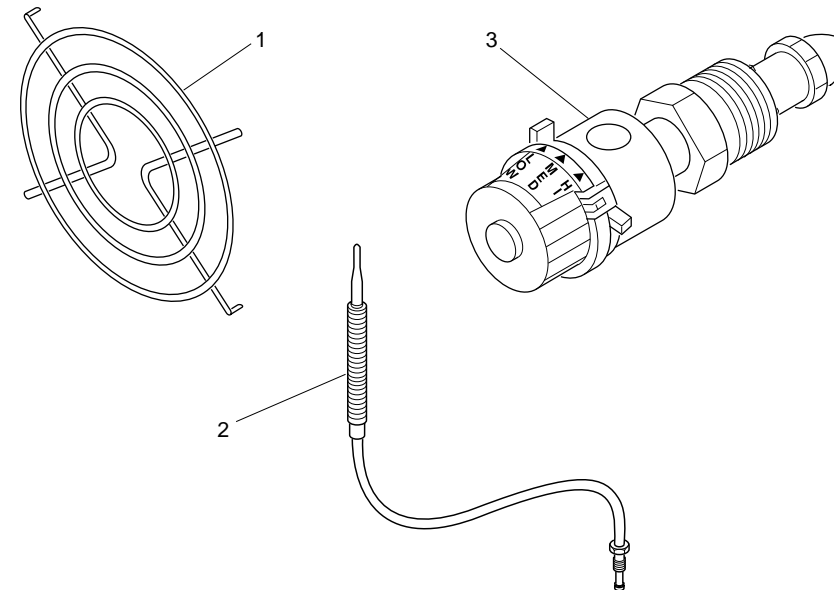


Figure 3

Heater Information

BTU Output

HI	12,000 BTU/Hr
MED	10,000 BTU/Hr
LOW	8,000 BTU/Hr

Length of Operation

5 lb. Propane Tank	9 hours
11 lb. Propane Tank	20 hours
20 lb. Propane Tank	36 hours

Warranty Information

Propane Infra-Red Tank Top Heater Limited Warranty

DESA International warrants this product and any parts thereof, to be free from defects in material and workmanship for one year from the date of first purchase, provided that the product has been properly installed, operated, and maintained in accordance with all applicable instructions. To make a claim under this warranty, the bill of sale or proof of purchase must be presented.

This warranty is extended only to the original retail purchaser. This warranty covers only the cost of parts required to restore this heater to proper operating condition. Warranty parts must be obtained through authorized dealers of this product and/or DESA International who will provide original factory replacement parts. Failure to use original factory replacement parts voids this warranty. The heater must be used in accordance with all local codes and instructions furnished with the unit.

This warranty does not apply to parts that are not in original condition because of normal wear and tear, or parts that fail or become damaged as a result of misuse, accidents, lack of proper maintenance, alteration, tampering, contaminated fuels, or defects caused by improper installation. Travel, transportation and incidental costs associated with warranty repair are not reimbursable under this warranty and are the responsibility of the owner.

TO THE FULL EXTENT ALLOWED BY THE LAW OF THE JURISDICTION THAT GOVERNS THE SALE OF THE PRODUCT: THIS EXPRESS WARRANTY EXCLUDES ANY AND ALL OTHER EXPRESSED WARRANTIES OF MERCHANTABILITY AND FITNESS FOR A PARTICULAR PURPOSE TO ONE YEAR FROM THE DATE OF FIRST PURCHASE: AND DESA INTERNATIONAL'S LIABILITY IS HEREBY LIMITED TO THE PURCHASE PRICE OF THE PRODUCT AND DESA INTERNATIONAL SHALL NOT BE LIABLE FOR ANY OTHER DAMAGES WHATSOEVER INCLUDING INDIRECT, INCIDENTAL OR CONSEQUENTIAL DAMAGES.

Some states do not allow a limitation on how long an implied warranty lasts or an exclusion or limitation of incidental or consequential damages, so the above limitation on implied warranties, or exclusion or limitation on damages may not apply to you.

This warranty provides the original retail purchaser with specific legal rights. For specific information regarding those rights, please consult the applicable state laws.

DESA
INTERNATIONAL

2701 Industrial Drive
P.O. Box 90004
Bowling Green, KY 42102-9004

100925-01
Rev. C
10/94