

## PORTABLE FORCED AIR HEATER

### *Illustrated Parts List*

**HH55**

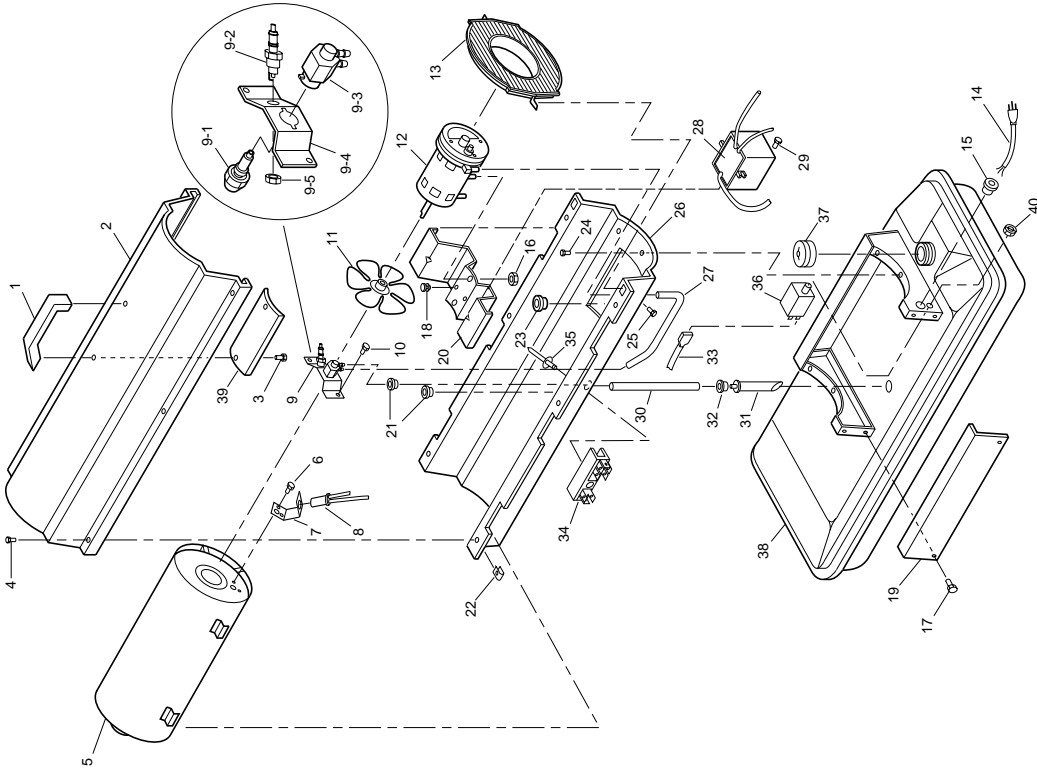
**IMPORTANT:** Do not use key numbers when ordering service parts. Always order components by part number and description. Include model and serial numbers.

KEY NO.	PART NUMBER	DESCRIPTION	QTY.	KEY NO.	PART NUMBER	DESCRIPTION	QTY.
1	M51104-01	Handle	1	19	M50899-03AA	Side Cover	1
2	098511-43	Upper Shell	1	20	098138-01	Motor Bracket	1
3	M11084-29	Screw, #10-16 x 3/4"	2	21	M30865-02	Bushing	2
4	M15823-27	Screw, #10-16 x 1/2"	6	22	M11271-8	Clip Nut	6
5	098512-32	Combustion Chamber	1	23	M50104-02	Bushing	1
6	M10908-2	Screw, #6-32 x 3/8"	2	24	M11084-26	Screw, #10-16 x 3/8"	6
7	M16660	Photocell Bracket	1	25	M15823-37	Screw, #8-18 x 1/4"	1
8	HA3019	Photocell Assembly	1	26	098511-19	Lower Shell	1
9	***	Burner Head Assembly	1	27	M29652-04	Rubber Airline	1
9-1	HA3021	Nozzle	1	28	098557-06	Ignitor Kit	1
9-2	HA3013	Spark Plug	1	29	M11084-29	Screw, #10-16 x 3/4"	2
9-3	079980-01	Nozzle Adapter	1	30	079973-01	Fuel Line	1
9-4	097124-01	Bracket	1	31	M50876-05	Fuel Filter (With Bushing)	1
9-5	M29824	Nut, 14mm	1	32	M10990-3	Rubber Bushing	1
10	M11084-26	Screw, #10-16 x 3/8"	2	33	M16841-57	Wire Assembly (Red, 6")	1
11	M30884	Fan	1	34	099125-02	Terminal Board	1
12	***	Motor and Pump Assembly	1	35	099157-01	Rivet	1
12-1	102001-01	Motor	1	36	HA3003	Flame-out Control	1
12-2	079975-03	Pump Body	1	37	097702-01	Fuel Cap (Includes Gasket)	1
12-3	M22009**	Insert	1	38	098513-24	Fuel Tank	1
12-4	M22456-2**	Rotor	1	39	M51108-01	Heat-Shell Shield	1
12-5	M29608	Pump End Cover	1	40	099177-01	Hex Nut, 3/8 - 27	1
12-6	M29632**	Lint Filter	1	<b>PARTS AVAILABLE - NOT SHOWN</b>			
12-7	M29633**	Intake Filter	1		097886-05	Tradename Decal	
12-8	M29609	Filter End Cover	1		098493-01	General Information Decal	
12-9	M12461-31	Screw, #10-32 x 1"	3		100507-01	Owner's Manual	
12-10	M27694**	Adjusting Screw	1	<b>OPTIONAL ACCESSORIES</b>			
12-11	M10993-1**	Pressure Relief Spring	1		HA1210	Hang-up Thermostat	
12-12	M22997**	Plug	1		HA1202	Heavy Duty Wheels and Handle Kit	
12-13	M8940**	Steel Ball, 1/4" diameter	1		HA1206	Standard Wheels and Handle Kit	
12-14	M29612-01**	Output Filter	1		HA1180	Air Gauge Kit	
12-15	M12461-32	Screw, #10-32 x 1 1/8"	6		HA2210	Fuel Tank Filter Screen	
12-16	M50016	Elbow, 90°	1		HA3005	Rotor Kit (M22456-2, M22009, M8643-2)	
12-17	M8643-2**	Blade	4		HA3014	Filter Kit (M29632, M29633, M29612-01)	
12-18	FHPF3-6C	Screw, #10-32 x 3/4"	2		HA3020	Pump Kit (M27694, M10993-1, M22997, M8940)	
13	M51105-01	Fan Guard	1				
14	098219-18	Power Cord	1				
15	M11143-1	Strain Relief Bushing	1				
16	NTC-4C	Hex Lock Nut, 1/4-20	2				
17	M11084-26	Screw, #10-16 x 3/8"	2				
18	M50631	Rubber Bumper	2				

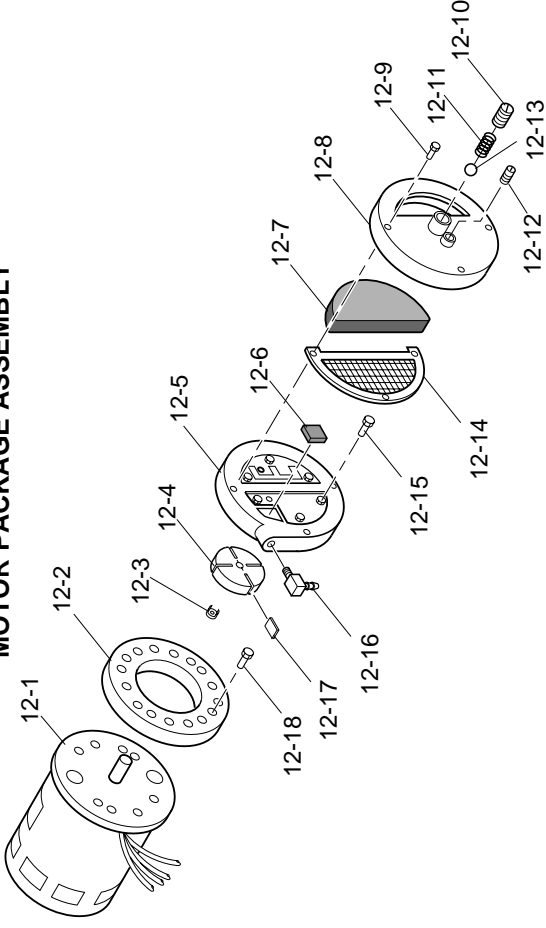
\*\* See OPTIONAL ACCESSORIES

\*\*\* Not available as an assembly

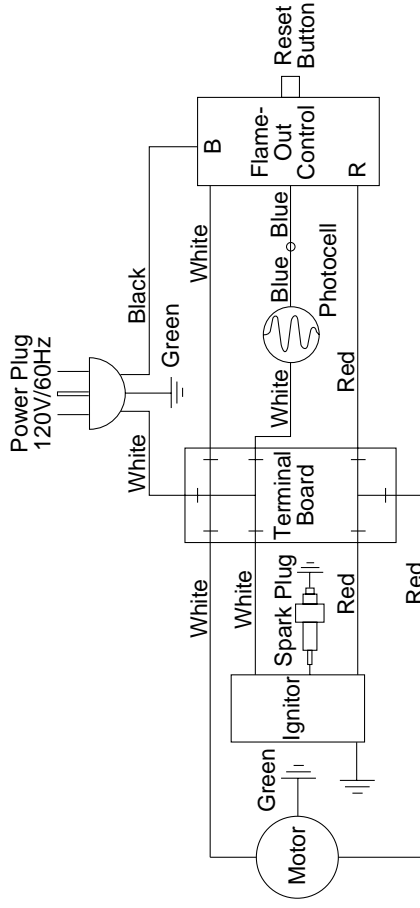
### HEATER EXPLODED VIEW



### MOTOR PACKAGE ASSEMBLY



### WIRING DIAGRAM



### SPECIFICATIONS

Output Rating (BTU Per Hour)  
 Fuel  
 Fuel Tank Capacity ( U. S. Gallons)  
 Fuel Consumption ( Approximate U.S. Gallons Per Hour)  
 Electric Requirements  
 Amperage (During Normal Run)

55,000  
 Kerosene or #1 fuel oil  
 5  
 0.40  
 120V/60Hz  
 2.0

Motor RPM  
 Hot Air Output (Approximate CFM)  
 Air Pump Pressure (PSI)  
 Shipping Weight (Approximate Pounds)  
 Heater Weight Without Fuel (Approximate Pounds)

1725  
 165  
 3.4  
 35  
 30