

PORTABLE FORCED AIR HEATER
Illustrated Parts List

IMPORTANT: Do not use key numbers when ordering service parts. Always order components by part number and description. Include model and serial numbers.

KEY NO.	PART NUMBER	DESCRIPTION	QTY.	KEY NO.	PART NUMBER	DESCRIPTION	QTY.
1	098511-29	Upper Shell	1	17	M16661-1	Motor Clamp	4
2	098068-01	Heat Deflector Kit	1	18	M51043-01	Screw, 1/4-20 x 1 1/2"	2
3	098512-18	Combustion Chamber	1	19	WLM 4	Lockwasher 1/4"	2
4	M11084-29	Screw, #10-16 x 3/4"	2	20	NPC-4C	Hex Lock Nut, 1/4-20	2
5	M11084-29	Screw, #10-16 x 3/4"	2	21	098511-07	Lower Shell	1
6	HA3019	Photocell Assembly	1	22	M11084-27	Screw, #10-16 x 1/2"	6
7	M16660	Photocell Bracket	1	23	M11271-8	Clip Nut	6
8	M10908-2	Screw, #6-32 x 3/8"	2	24	M12828	Shell Support Bracket	1
9	***	Burner Head Assembly	1	25	M11084-27	Screw, #10-16 x 1/2"	8
9-1	M16790-12	Fuel Line	1	26	M11084-29	Screw, #10-16 x 3/4"	2
9-2	M19630	Screen Fuel Filter	1	27	1000576	Grommet	2
9-3	M50660-05	Flare Nut	1	28	HA3003	Safety Control	1
9-4	079685-01	Male Connector	1	29	097061-01	Solid State Relay	1
9-5	M50820-02	Barb Fitting	2	30	**	Screw, #8-18 x 1/2"	2
9-6	M8882	Nozzle Seal	1	31	097060-01	Solid State Relay Bracket	1
9-7	M10659-1	Nozzle Washer	2	32	M11084-27	Screw, #10-16 x 1/2"	1
9-8	M10809-1	Nozzle Spring	1	33	M16645	Motor Support Bracket	1
9-9	HA3011	1.1 GPH Nozzle (Including Sleeve)	1	34	M30865-04	Grommet	1
9-10	HA3012	Spark Plug	1	35	102482-01	Ignitor Kit	1
9-11	M50924-01	Burner Head Body	1	36	M11084-27	Screw, #10-16 x 1/2"	2
10	M11084-27	Screw, #10-16 x 1/2"	3	37	M11143-1	Strain Relief Bushing	1
11	M50814-03	Airline Tubing	1	38	099896-03	Power Cord	1
12	M50873-01	Airline Clip	9	39	098513-11	Fuel Tank	1
13	**	Wire Assembly (Red, 6")	1	40	097702-01	Fuel Cap (Includes Gasket)	1
14	M11084-27	Screw, #10-16 x 1/2"	1	41	M10990-3	Rubber Bushing	1
15	M17058	Fan	1	42	M11084-27	Screw, #10-16 x 1/2"	2
16	***	Motor and Pump Assembly	1	43	M11084-27	Screw, #10-16 x 1/2"	2
16-1	M16545	Filter End Cover	1	44	M27417	Drain Plug	1
16-2	M12461-31	Screw, #10-32 x 1"	10	PARTS AVAILABLE - NOT SHOWN			
16-3	M12179	Intake Filter	1				
16-4	M12244-1	Output Filter	1				
16-5	M11637	Lint Filter	1				
16-6	M50545	Pump End Cover	1				
16-7	M8643	Blade	4		079872-01	Tradename Decal	
16-8	M22456-1	Pump Rotor	1		097896-01	Wheels	2
16-9	M22009	Rotor Insert	1		M16801-2	Axle	1
16-10	079975-02	Pump Body	1		M12831-3	Frame Support Wheel	1
16-11	FHPF3-2C	Screw, #10-32 x 1/4"	2		HA2204	Front Handle	1
16-12	M50820-02	Barb Fitting	1		M12345-33	Mounting Screws	8
16-13	M22997	Plug	1		M28526	Nut Cap	2
16-14	M27694	Adjusting Screw	1		NTC-3C	Hex Lock Nut, #10-24	8
16-15	M10993-1	Relief Spring	1				
16-16	M8940	Ball, 1/4" diameter	1				
16-17	097308-04	Motor	1				

** Available at your local hardware store.

*** Not available as an assembly.

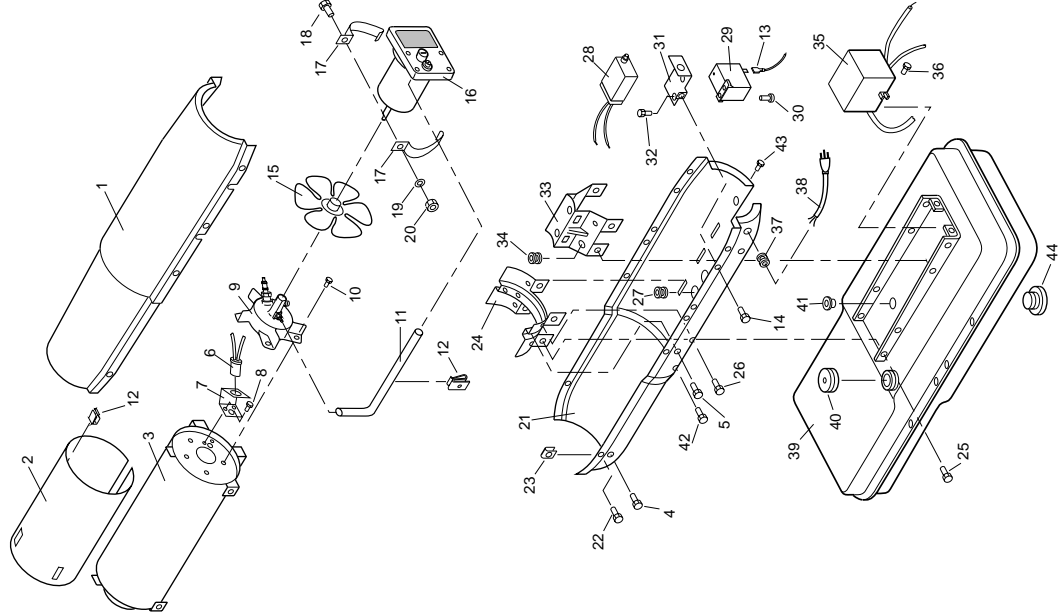
DESA International

2701 Industrial Drive, P.O. Box 90004
Bowling Green, KY 42102-9004
Technical Service Department 1-800-323-5190
Parts Department 1-800-972-7879

097727-01
REV. D
05/97

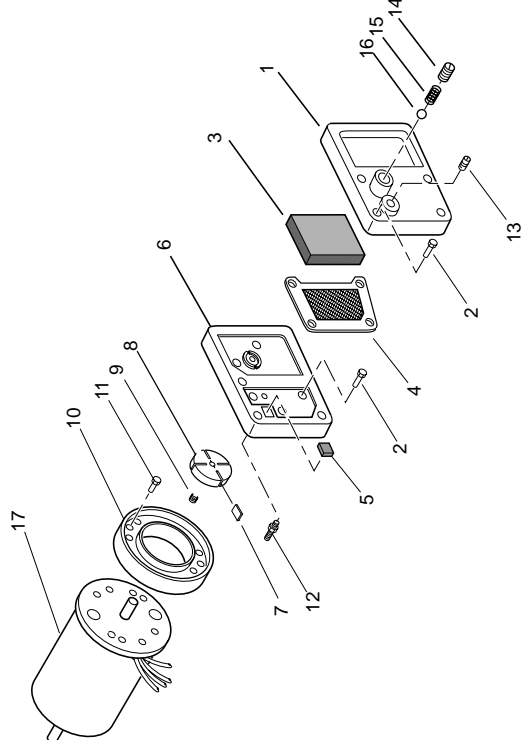
C150E

HEATER EXPLODED VIEW



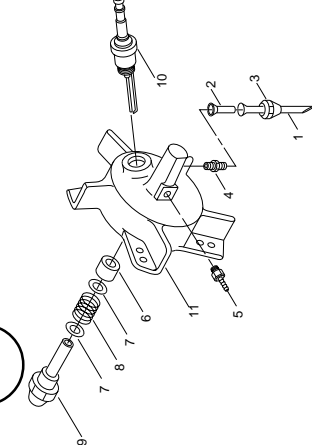
MOTOR PACKAGE ASSEMBLY

16

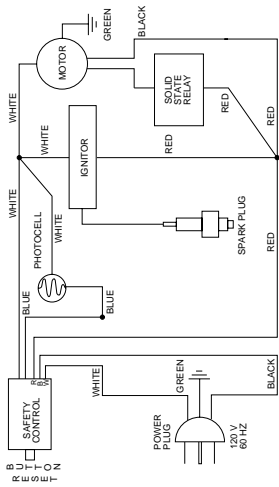


BURNER HEAD ASSEMBLY

9



WIRING DIAGRAM



SPECIFICATIONS

Output Rating (BTU Per Hour)
 Fuel
 Fuel Tank Capacity (U. S. Gallons)
 Fuel Consumption (Approximate U.S. Gallons Per Hour)
 Electric Requirements
 Amperage (During Normal Run)
 Starting Amps

150,000
 Kerosene or #1 fuel oil
 13.5
 1.1
 120V/60Hz
 4.5
 10

Motor RPM
 Hot Air Output (Approximate CFM)
 Air Pump Pressure (PSI)
 Shipping Weight (Approximate Pounds)
 Heater Weight Without Fuel (Approximate Pounds)

3450
 648
 5.0
 94
 77