

PORTABLE FORCED AIR HEATER

Illustrated Parts List

DESA
C100E

IMPORTANT: Do not use key numbers when ordering service parts. Always order components by part number and description. Include model and serial numbers.

KEY NO.	PART NUMBER	DESCRIPTION	QTY.	KEY NO.	PART NUMBER	DESCRIPTION	QTY.
1	098511-47	Upper Shell	1	18	M11084-27	Screw, #10-16 x 1/2"	2
2	100647-01	Screw, #10-16 x 1/2"	6	19	M51345-01	Fuel Line	1
3	098512-07	Combustion Chamber	1	20	M51150-01	Fuel Filter	1
4	M16660	Photocell Bracket	1	21	M51151-01	Fuel Line Tube	1
5	M10908-2	Screw, #6-32 x 3/8"	2	22	M10990-3	Rubber Bushing	1
6	HA3019	Photocell Assembly	1	23	M50814-06	Airline	1
7	***	Burner Head Assembly	1	24	098511-47	Lower Shell	1
7-1	HA3009	Nozzle (Including Sleeve)	1	25	M30865-02	Bushing	1
7-2	M10659-1	Nozzle Washer	2	26	M30865-02	Bushing	1
7-3	M10809-1	Nozzle Spring	1	27	M30865-02	Bushing	1
7-4	M8882	Nozzle Sleeve	1	28	M50104-02	Bushing	1
7-5	M50924-03	Burner Head Body	1	29	M11084-27	Screw, #10-16 x 1/2"	6
7-6	M50820-02	Barb Fitting	2	30	M11271-8	Clip Nut	6
7-7	HA3012	Spark Plug	1	31	M15823-37	Screw, Grounding #8-18 x 1/4"	1
8	M11084-27	Screw, #10-16 x 1/2"	3	32	098513-21	Fuel Tank	1
9	M51153-01	Fan	1	33	097702-01	Fuel Cap (Includes Gasket)	1
10	***	Motor and Pump Assembly	1	34	HA3003	Safety Control	1
10-1	097300-02	Motor (Split Phase)	1	35	M11143-1	Strain Relief Bushing	1
10-2	079975-02	Pump Body	1	36	099896-03	Power Cord	1
10-3	FHPF3-2C	Screw, #10-32 x 1/2"	2	37	M51077-01AA	Side Cover	1
10-4	M22009	Rotor Insert	1	38	M11084-27	Screw, #10-16 x 1/2"	4
10-5	M22456-1	Pump Rotor	1	PARTS AVAILABLE - NOT SHOWN			
10-6	M50545	Pump End Cover	1		079866-01	Tradename Decal	
10-7	M12179	Intake Filter	1		097896-01	Wheels	2
10-8	M16545	Filter End Cover	1		M51015-01	Axle	1
10-9	M8940	Steel Ball, 1/4" diameter	1		M12342-3	Wheel Support Frame	1
10-10	M10993-1	Relief Spring	1		HA2203	Front Handle	1
10-11	M27694	Adjusting Screw	1		M12345-33	Mounting Screws	8
10-12	M22997	Plug	1		M28526	Nut Cap	2
10-13	M12461-31	Screw, #10-32 x 1"	10		NTC-3C	Hex Lock Nut, #10-24	8
10-14	M12244-1	Output Filter	1	OPTIONAL ACCESSORIES			
10-15	M11637	Lint Filter	1		HA1210	Hang-up Thermostat	
10-16	M50820-02	Barb Fitting	1		HA1180	Air Gauge Kit	
10-17	M8643	Blade	4				
11	M50631	Rubber Bumper	2				
12	101206-01	Motor Mounting Bracket	1				
13	097061-01	Solid State Relay	1				
14	**	Screw, #8-18 x 1/2"	2				
15	NTC-4C	Hex Lock Nut	2				
16	M51114-01	Fan Guard	1				
17	102482-01	Ignitor Kit	1				

** Available at your local hardware store.

*** Not available as an assembly.

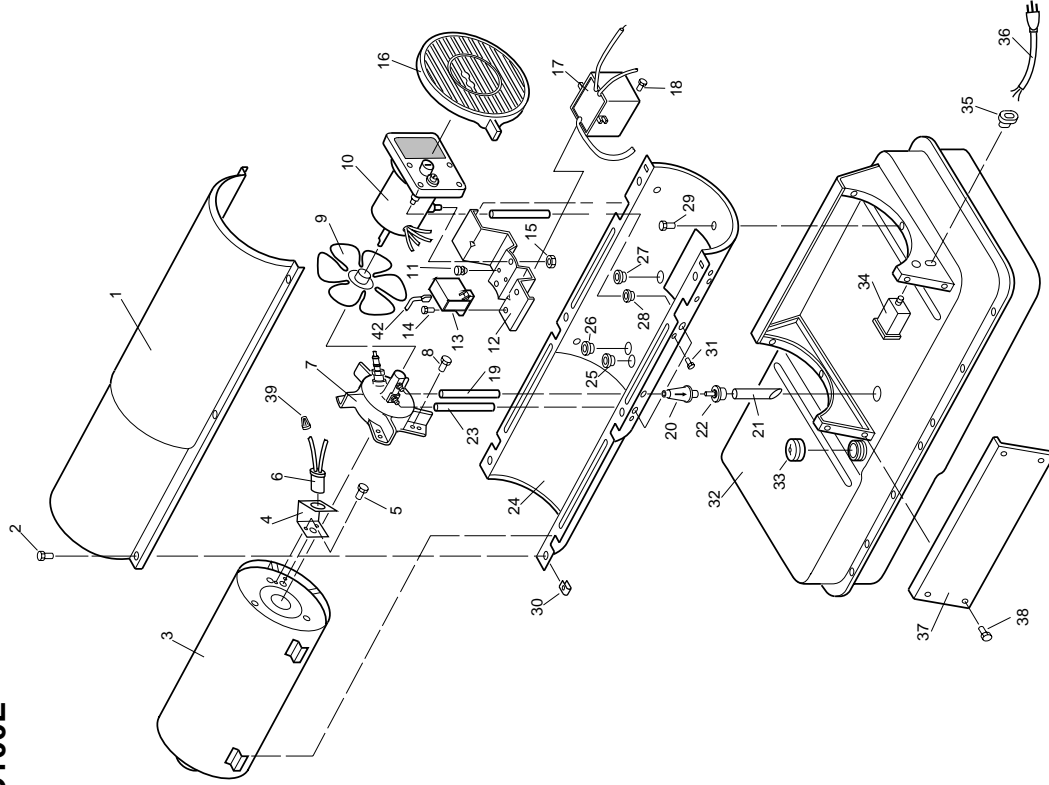
DESA International

2701 Industrial Drive, P.O. Box 90004
Bowling Green, KY 42102-9004
Technical Service Department 1-800-323-5190
Parts Department 1-800-972-7879

097726-01
REV. C
05/97

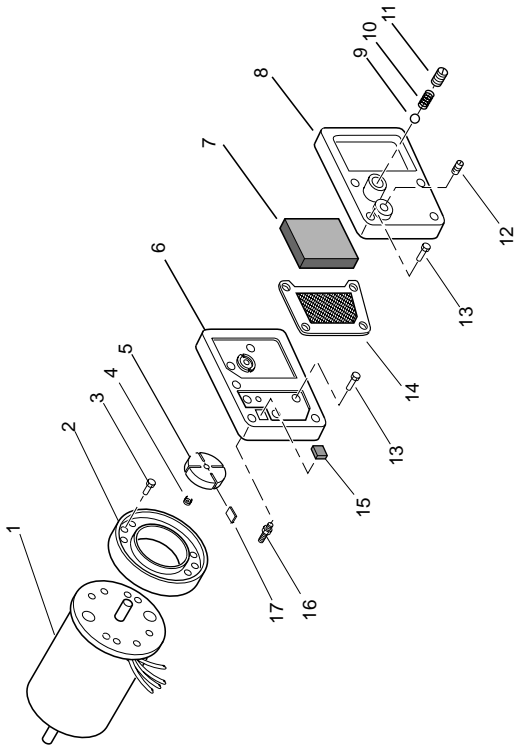
C100E

HEATER EXPLODED VIEW

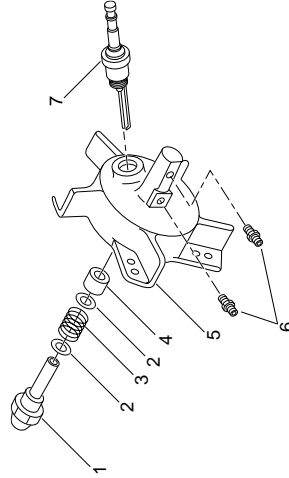


MOTOR PACKAGE ASSEMBLY

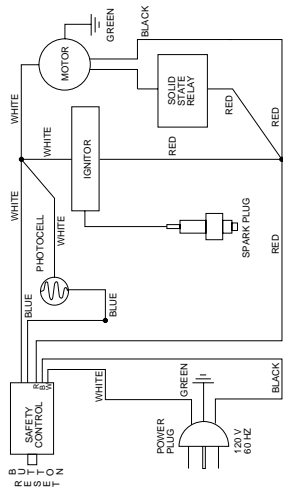
10



BURNER HEAD ASSEMBLY



WIRING DIAGRAM



SPECIFICATIONS

Output Rating (BTU Per Hour)	100,000	Motor RPM	3450
Fuel	Kerosene or #1 fuel oil	Hot Air Output (Approximate CFM)	481
Fuel Tank Capacity (U. S. Gallons)	9	Air Pump Pressure (PSI)	4.0
Fuel Consumption (Approximate U.S. Gallons Per Hour)	0.74	Shipping Weight (Approximate Pounds)	64
Electric Requirements	120V/60Hz	Heater Weight Without Fuel (Approximate Pounds)	55
Amperage (During Normal Run)	5		
Starting Amps	10		