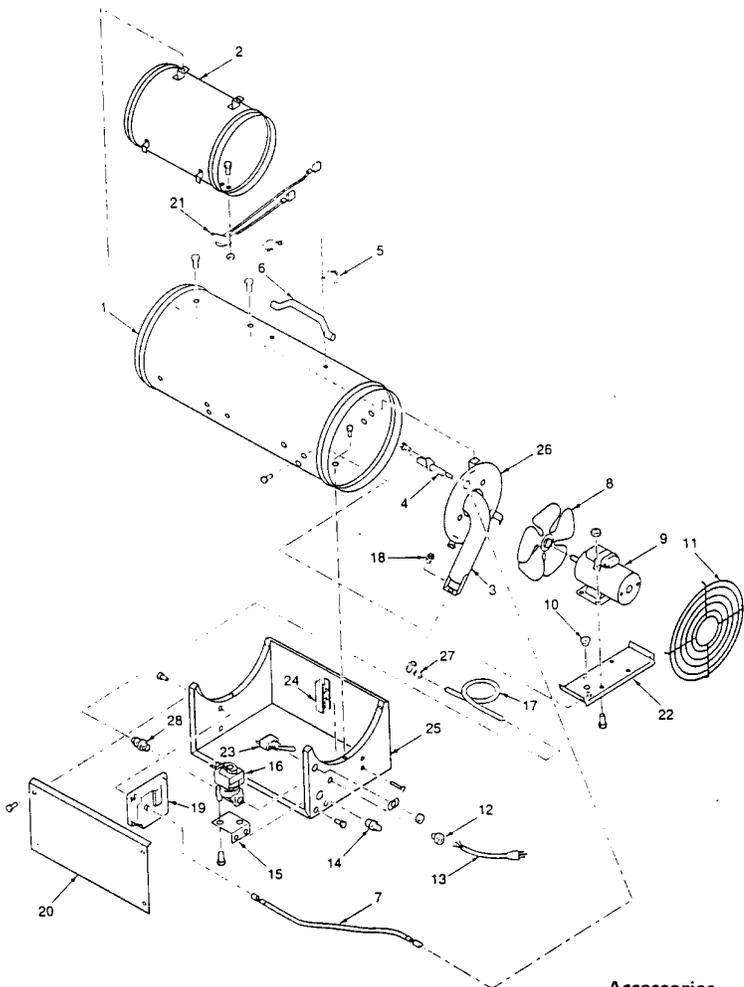


Model 4E236B Propane Construction Heater



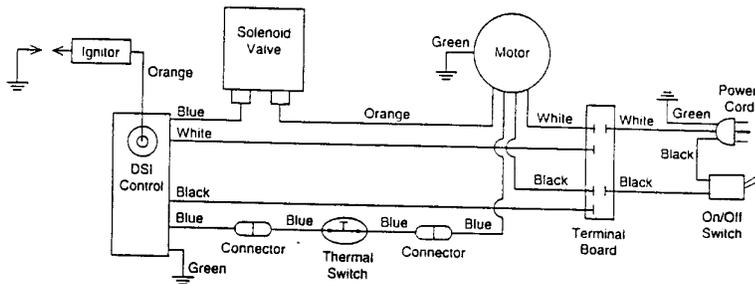
1	Outer Shell Assembly	100409-03	1
2	Combustion Chamber Assembly	097847-01	1
3	Burner Assembly	097849-01	1
4	Ignitor	097805-01	1
5	Cleat	097918-01	2
6	Handle	097917-01	1
7	Ignitor Cable	097806-02	1
8	Fan	097811-01	1
9	Motor	097802-01	1
10	Shorty Bushing	M50104-02	1
11	Fan Guard	097964-01AA	1
12	Strain Relief Bushing	M11143-1	1
13	Cord Assembly	099896-05	1
14	Male Fitting	097809-01	1
15	Solenoid Bracket	097828-01	1
16	Solenoid Valve	098201-01	1
17	Fuel Tube	100145-01	1
18	Nozzle	099679-01	1
19	D.S.I. Control	M51605-02	1
20	Side Cover	097965-01AA	1
21	Thermal Switch Kit	101732-03	1
22	Motor Mount	097829-02	1
23	On/Off Switch Assembly	098226-01	1
24	Indicator Plate	M50941-01	1
25	Terminal Board	099125-01	1
26	Base	097966-09AA	1
27	Rear Plate Assembly	097848-01	1
28	Elbow Fitting	100146-01	1
29	Compression Fitting	098827-01	1
Δ	Hose/Regulator Assembly (U.L. Listed.)	LPA3030	1
Δ	Electrical Decal	100407-01	1
Δ	Information Decal	099152-03	1
Δ	Baffle	097916-01	1
Δ	Tradename Decal (right side from rear)	099153-03	1
Δ	Tradename Decal (left side from rear)	099153-04	1

Accessories

- Hose (A 10 foot hose locates heater further away from propane tank(s); U.L. Listed.)
- Propane Gas Regulator (U.L. Listed.)
- Fuel Gas Connector (A POL adapter with excess-flow check valve.)
- Thermostat (Helps economize on fuel; No installation required; Plugs into standard 120V outlet.)

LPA1020
LPA2020
LPA4020
HA1210

Wiring Diagrams



ELECTRICAL SPECIFICATIONS

Model	Electrical Input	Amperage
4E236B	120V/60Hz	4.2

GENERAL SPECIFICATIONS

Model	Output Rating BTU/Hr	Fuel	Minimum Fuel Consumption	Maximum Fuel Consumption	Ignition	Regulator Outlet Pressure
4E236B	225,000 to 375,000	Propane Vapor Only	2.5 Gal/Hr 10.4 Lbs/Hr	4.0 Gal/Hr 17.4 Lbs/Hr	Direct Spark	7-20 PSIG

GENERAL SPECIFICATIONS (CONT.)

Model	Hot Air Output Approx. (CFM)	Motor	Minimum Supply Pressure to Regulator	Maximum Supply Pressure to Regulator	Size L x W x H (Inches)	Weight (pounds)
4E236B	1500	1/5 HP @ 1725 RPM	25 PSIG (for purposes of input adjustment)	Tank Pressure	34 x 13 x 19.5	42 (Heater) 49 (Shipping)

101426-01
REV. A 9/94