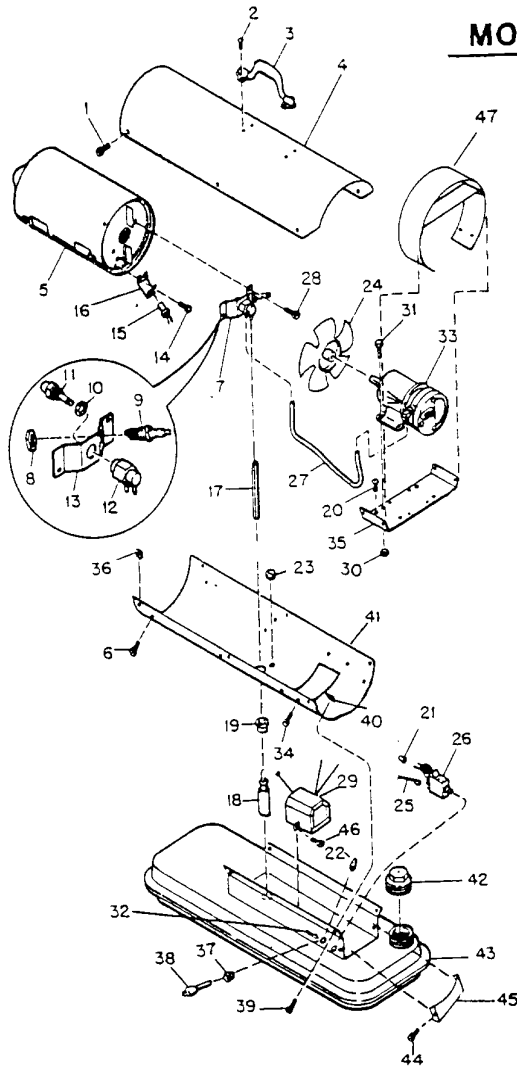
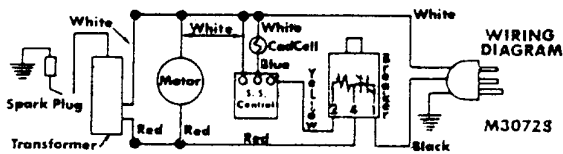


MODEL 2E510



1	M11084-26	Screw, Hex. Hd., 10-12 x 3/8"	6
—	M30725-05	Upper Shell Assembly (Includes Ref. Nos. 2, 3 & 4)	1
2	M17539-9	Rivet	4
3	M28153	Handle	1
4	M30724-Az	Shell	1
5	M29634-01	Chamber Assembly, Combustion	1
6	M11084-26	Screw, Hex. Hd., 10-12 x 3/8"	4
7	M29707-01	Burner Head Assembly (Includes Ref. Nos. 8, 9 & 10)	1
8	M29824	Nut, Special, 14 MM	1
9	M29835	Spark Plug	1
10	M16741-18	Ring, Retainer	1
—	M29705-01	Nozzle Adapter Assembly (Includes Ref. Nos. 11, 12 & 13)	1
11	M29681	Nozzle, Siphon	1
12	M29805	Adapter, Nozzle	1
13	M29615-01	Bracket Assembly, Nozzle Adapter	1
14	M10908-1	Screw, Hex. Hd., 6-32 x 1/4"	2
15	M16656-4	Photo Cell and Bushing Assembly	1
16	M16660	Bracket, Photo Cell	1
17	M29652-02	Tubing, Fuel	1
18	M29814-01	Filter Assembly, Fuel	1
19	M10990-3	Bushing, Rubber	1
20	M11084-26	Screw	1
21	M13942-5	Connector, Wire	2
22	M13942-7	Connector, Wire	1
23	1000576	Grommet	2
24	M29678	Fan	1
25	M16841-16	Wire Assembly	1
26	M28898-03	Safety Control Assembly	1
27	M29652-01	Tubing, Airline	1
28	M11084-26	Screw, Hex. Hd.	2
29	M16697-02	Transformer Assembly	1
30	NTC-3C	Nut	4
31	M12461-50	Screw 10-24 x 3/8"	4
32	M29800	Decal, Reset	1
33	M29750-01	Motor Package Assembly (See Figure 10)	1
34	M11084-26	Screw	4
35	M29616	Motor Mounting Bracket	1
36	M11271-6	Nut, Tinnerman	6
37	M11143-1	Bushing, Strain Relief	1
38	M10813-74	Cord Assembly	1
39	M11084-26	Screw	4
40	M12250-2	Nut, Tinnerman	4
41	M30727-Az	Shell, Lower	1
42	M30715-01	Cap, Fuel	1
43	M30723-01AA	Tank Assembly, Fuel	1
44	M11084-26	Screw, Hex. Hd. 10-12 x 3/8"	2
45	M30726-AA	Bracket End Cover	1
46	M11084-26	Screw, Hex. Hd., 10-12 x 3/8"	2



Specifications For Model 2E510

Output rating (BTU per hour)	30,000
Amperage (during normal run)	2.35
Starting Amps	4.00
Air pump pressure (PSI)	3.0
Weight (approx. lbs.) shipping	32
Fuel tank capacity, U.S. gallons	2.25
Fuel consumption, approx. U.S. gal. per hour	0.23
Electrical requirements	115V, 60Hz
Air output (CFM)	103
Motor RPM	1,665
Fuel	Kerosene or No. 1 fuel oil ONLY
Duct	No duct recommended

1	M29609
2	M12461-31
3	WLI-3
4	M29633
5	M29612-01
6	M29632
7	M29608
8	M12461-31
9	WLI-3
10	M8643
11	M22456-1
12	M22009
13	M8645
14	FHPF3-4C
15	M50016
16	M22997
17	M27694
18	M10993-1
19	M8940
20	M29780-01

End Cover, Filter	1
Screw (Filter End Cover to Pump End Cover)	3
Lockwasher, Internal No. 10	3
Intake Air Filter	1
Output Filter Assembly	1
Filter, Lint	1
End Cover, Pump (Port Plate)	1
Screw (End Cover to Motor)	6
Lockwasher, Internal, No. 10	6
Blade	4
Rotor, Pump	1
Insert, Rotor	1
Pump Body	1
Screw (Pump Body to Motor)	2
Elbow	1
Plug, Socket Hd.	1
Screw, Pressure Adjustment	1
Spring, Compression (Pressure Relief)	1
Ball, 1/4" dia.	1
Motor (2E510)	1

