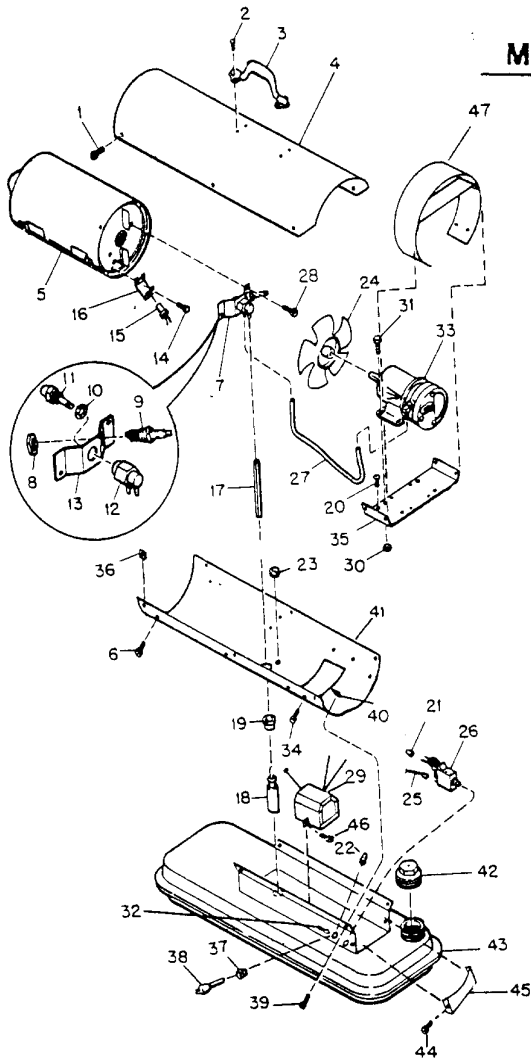


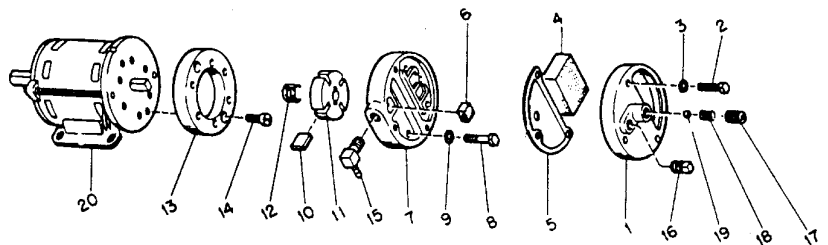
# MODEL 2E511



1	M11084-26	Screw, Hex. Hd., 10-12 x 3/8"	6
—	M30725-05	Upper Shell Assembly (Includes Ref. Nos. 2, 3 & 4)	1
2	M17539-9	Rivet	4
3	M28153	Handle	1
4	M30724Az	Shell	1
5	M30883-01	Chamber Assembly, Combustion	1
6	M11084-26	Screw, Hex. Hd., 10-12 x 3/8"	4
7	M29707-02	Burner Head Assembly (Includes Ref. Nos. 8 thru 13)	1
8	M29824	Nut, Special, 14 MM	1
9	M29835	Spark Plug	1
10	M16741-18	Ring, Retainer	1
—	M29705-02	Nozzle Adapter Assembly (Includes Ref. Nos. 11, 12 & 13)	1
11	M30875	Nozzle, Siphon	1
12	M29809	Adapter, Nozzle	1
13	M29615-01	Bracket Assembly, Nozzle Adapter	1
14	M10908-1	Screw, Hex. Hd., 6-32 x 1/4"	2
15	M16656-4	Photo Cell and Bushing Assembly	1
16	M16660	Bracket, Photo Cell	1
17	M29652-03	Tubing, Fuel	1
18	M29814-01	Filter Assembly, Fuel	1
19	M10990-3	Bushing, Rubber	1
20	M11084-26	Screw	1
21	M13942-5	Connector, Wire	2
22	M13942-7	Connector, Wire	1
23	100576	Grommet	1
24	M30884	Fan	1
25	M16841-16	Wire Assembly	1
26	M28898-03	Safety Control Assembly	1
27	M29652-01	Tubing, Airline	1
28	M11084-26	Screw, Hex. Hd.	2
29	M16697-02	Transformer Assembly	1
30	NTC-3C	Nut	4
31	M12461-50	Screw 10-24 x 3/8"	4
32	M29800	Decal, Reset	1
33	M29750-02	Motor Package Assembly (See Figure 10)	1
34	M11084-26	Screw	4
35	M29616	Motor Mounting Bracket	1
36	M11271-6	Nut, Tinnerman	6
37	M11143-1	Bushing, Strain Relief	1
38	M10813-74	Extension Cord Assembly	1
39	M11084-26	Screw	4
40	M12250-2	Nut, Tinnerman	4
41	M30763AZ	Shell, Lower	1
42	M30715-01	Cap, Fuel	1
43	M30873-01AA	Tank Assembly, Fuel	1
44	M11084-26	Screw, Hex. Hd. 10-12 x 3/8"	2
45	M30726-AA	Bracket End Cover	1
46	M11084-26	Screw, Hex. Hd., 10-12 x 3/8"	2
47	M31348-01	Assembly Shell Support	1

## Specifications For Model 2E511

Output rating (BTU per hour)	50,000
Amperage (during normal run)	2.85
Starting Amps	4.00
Air pump pressure (PSI)	3.6
Weight (approx. lbs.) shipping	34
Fuel tank capacity, U.S. gallons	3.50
Fuel consumption, approx. U.S. gal. per hour	0.36
Electrical requirements	115V, 60Hz
Air output (CFM)	145
Motor RPM	1,675
Fuel	Kerosene or No. 1 fuel oil <b>ONLY</b>
Duct	No duct recommended



1	M29609	End Cover, Filter	1
2	M12461-31	Screw (Filter End Cover to Pump End Cover)	3
3	WLI-3	Lockwasher, Internal No. 10	3
4	M29633	Intake Air Filter	1
5	M29612-01	Output Filter Assembly	1
6	M29632	Filter, Lint	1
7	M29608	End Cover, Pump (Port Plate)	1
8	M12461-31	Screw (End Cover to Motor)	6
9	WLI-3	Lockwasher, Internal, No. 10	6
10	M8643	Blade	4
11	M22456-1	Rotor, Pump	1
12	M22009	Insert, Rotor	1
13	M8645	Pump Body	1
14	FHPF3-4C	Screw (Pump Body to Motor)	2
15	M50016	Elbow	1
16	M22997	Plug, Socket Hd.	1
17	M27694	Screw, Pressure Adjustment	1
18	M10993-1	Spring, Compression (Pressure Relief)	1
19	M8940	Ball, 1/4" dia.	1
20	M30876-01	Motor 2E511	1

