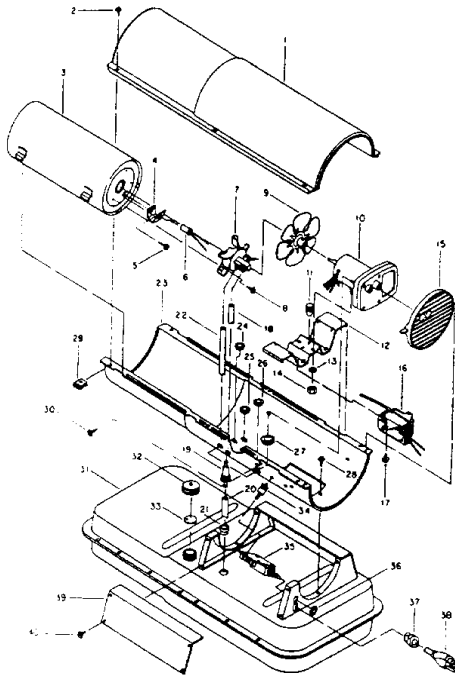


Master B100AK

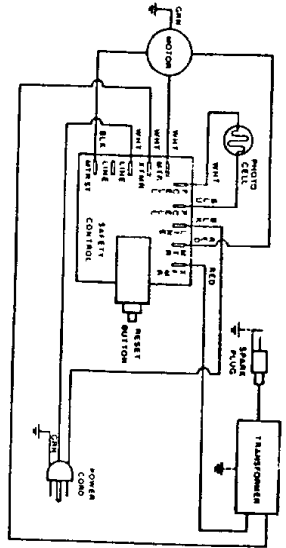
Form # 079232-01

Rev. B



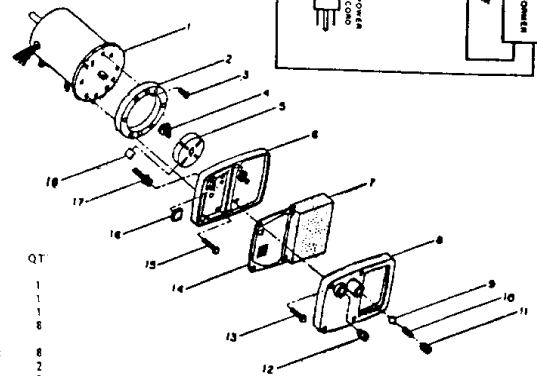
1	M51072-01AB	Upper Shell	1
2	M15823-27	Screw, Hex Hd., 10-16 x 1/2	6
3	M51075-01	Assembly, Combustion Chamber	1
4	M16660	Bracket, Photocell	1
5	M10908-2	Screw, Hex Hd., 6-32 x 3/8	2
		Attaches Photocell Bracket to Combustion Chamber	
6	M16656-10	Photocell Assembly	1
7	M51126-01	Burner Head Assembly (See Page 7 For Details)	1
8	M11084-27	Screw, Hex Hd., 10-16 x 1/2	3
9	M51153-01	Fan	1
10	M23149-14	Motor & Pump Assembly (See Page 7 For Details)	1
11	M50631	Bumper, Rubber	2
12	M51074-01	Bracket, Motor Mounting	1
13	WLI-4C	Washer, Lock 1/2 in.	2
14	NJC-4C	Nut, Hex Jam	2
15	M51114-01	Guard, Fan	1
16	M50570-04	Transformer, 5000 Volt	1
17	M11084-3	Screw, Hex Hd., 12-14 x 1/2	2
18	M51345-01	Fuel Line	1
19	M51150-01	Filter, Fuel	1
20	M51151-01	Tube, Fuel Line	1
21	M10990-3	Bushing, Rubber	1
22	M50814-06	Airline, Rubber	1
23	M51073-01AB	Shell, Lower	1
24	M30865-02	Bushing (Photocell Wires)	1
25	M30865-02	Bushing (Transformer Lead to Spark Plug)	1
26	M30865-02	Bushing (Transformer Lead to Spark Plug)	1
27	M50104-02	Bushing (Airline & Wires Thru Shell)	1
28	M11084-3	Screw, Hex Hd., 12-14 x 1/2	6
		Secures Lower Shell to Tank Brackets	
29	M11271-8	Nut, Clip	6
30	M15823-37	Screw, Grounding 8-18 x 1/2	1
31	M51115-02AA	Tank, Fuel	1
32	M51000-01	Cap, Filler Neck (Order M51027-06)	1
33	M51002-01	Gasket-Cap (Order M51027-06)	1
34	M51122-01	Support-Circuit Board	3
35	M51060-03	Control Board, Safety, PCB (Order M50671-02)	1
36	M51157-01	Nut Hex 12 MM	1
		Secures PCB to Bracket	
37	M11143-1	Bushing, Strain Relief	1
38	079218-01	Assembly, Extension Cord	1
39	M51077-01AA	Cover, Side	1
40	M11084-3	Screw, Hex Hd., 12-14 x 1/2	4

1	M51131-01	Motor-Split Single Phase	1
2	M8645	Pump Body	1
3	FHPP3-4C	Screw 10-32 x 1/2	2
4	M22009	Insert	1
5	M22456-1	Rotor, Pump	1
6	M50545	Cover, End Pump	1
7	M12179	Filter, Intake	1
8	M16545	Cover, End, Filter	1
9	M8940	Ball, Steel 1/2 Dia.	1
10	M10993-1	Spring-Pressure Relief	1
11	M27694	Screw, Adjusting	1
12	M22997	Plug, Pipe	1
13	M12461-31	Screw, Hex Hd., 10-32 x 1	4
		Attaches Filter End Cover to Pump End Cover	
14	M12244-1	Filter Assembly, Output	1
15	M12461-32	Screw, Hex Hd., 10-32 x 1 1/8	6
16	M11637	Filter, Lint	1
17	M50820-02	Fitting, Barb	1
18	M8643	Blade	4

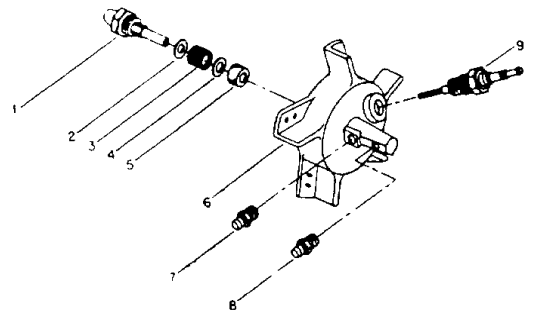
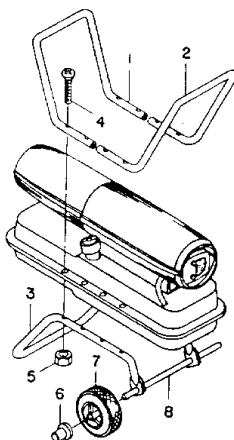


WHEEL AND HANDLE GROUP MODEL B100AK

KEY NO.	PART NUMBER	PART DESCRIPTION	QT
1	M5131-5	Handle, Front	1
2	M51334-02	Handle, Rear	1
3	M12342-3	Wheel Support Frame	1
4	M12345-33	Screw, Handles and Wheel Support Frame to Fuel Tank	8
5	NTC-3C	Nut, Hex 10-24, Torque Lock	8
6	M28526	Nut, Cap	2
7	079023-01	Wheel	2
8	M51015-01	Axle	1



1	M51120-01	Nozzle	1
2	M10659-1	Washer, Nozzle Seal	1
3	M10809-1	Spring, Nozzle Seal	1
4	M10659-1	Washer, Nozzle Seal	1
5	M8882	Seal, Nozzle, Sleeve	1
6	M50924-03	Body, Burner Head	1
7	M50820-02	Fitting, Barb	1
8	M50820-02	Fitting, Barb	1
9	M10962-2	Spark Plug	1

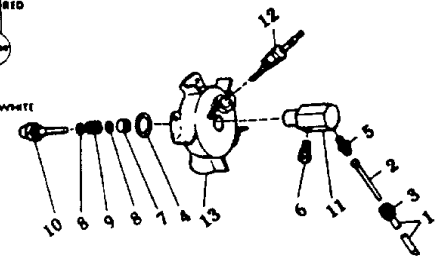
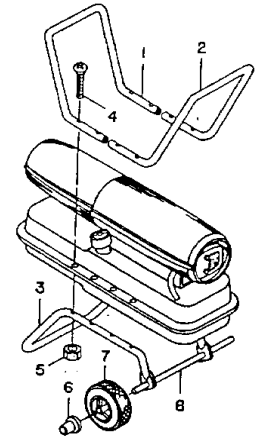
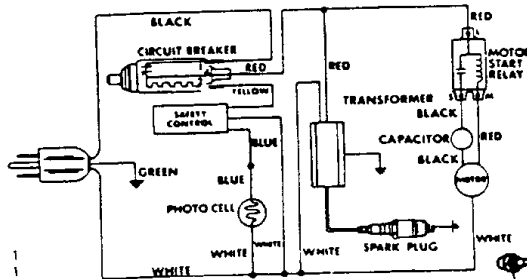


Master B150AK

Form # 079232-01 Rev. B

KEY NO.	PART NUMBER	PART DESCRIPTION	QT.
1	M16545	End Cover, Filter	1
2	M12462-31	Screw, Hex Hd., 10-32 x 1 Attaches Filter End Cover To Pump End Cover	4
3	M8940	Ball 1/2 in. dia.	1
4	M12179	Filter, Air, Intake	1
5	M12244-1	Filter Assembly, Output	1
6	M11637	Filter, Lint	1
7	M50545	Cover, End Pump	1
8	M12461-34	Screw, Hex Hd., 10-32 x 1 1/2	6
9	M51159-01	Motor	1
10	M8643-3	Blade, Pump	4
11	M22456-3	Rotor, Pump	1
12	M22009	Insert, Hold Rotor To Motor Shaft	1
13	M8645-3	Body, Pump	1
14	FHPP3-7C	Screw, 10-32 x 7/8	2
15	M50817-01	Fitting Barb	1
16	M22997	Plug, Pipe	1
17	M27694	Screw, Pressure Adjustment	1
18	M10993-1	Spring, Compression Pressure Relief	1
1	M17014AB	Shell Assembly, Upper	1
2	M16679	Deflector, Heat	1
3	M16887-6	Chamber Combustion, Assembly	1
	M11084-27	Screw, Hex Hd., 10-16 x 1/2 Attaches Combustion Chamber Front	4
	M11084-27	Screw, Hex Hd., 10-16 x 1/2 Attaches Combustion Chamber Rear	2
4	M16656-4	Photocell Assembly	1
5	M16660	Bracket, Photocell	1
	M10908-2	Screw, Hex Hd., 6-32 x 3/8 Attaches Photocell Bracket	2
6	M16803-8	Burner Head Assembly (See Page 9 For Details)	1
	M11084-27	Screw, Hex Hd., 10-16 x 1/2 Attaches Burner Head	3
7	M50814-03	Airline, Includes Sleeves, Nuts	1
8	M28898-03	Control, Flame Out	1
9	M50873-01	Clip, Airline	2
10	M16841-40	Assembly, Wire, Red	2
11	M13942-5	Connector, Wire	1
12	M13942-6	Connector, Wire	1
13	M17058	Fan	1
14	SF4-2.5K	Setscrew, Socket Hd., Cup Point 1/2-20, Attaches Fan to Motor	2
15	M16661	Clamp, Motor	4
16	M51043-01	Screw, Motor Clamp, 1/2-20 x 1 1/2	2
17	WLM-4	Lockwasher 1/2 in.	2
18	NPC-4C	Nut, Hex 1/2-20	2
19	M51158-01	Motor & Pump Assembly (See Page 9 For Details)	1
20	M12828	Bracket, Shell Support	1
	M11084-29	Screw, Hex Hd., 10-16 x 3/4 Attaches Support Bracket to Shell and Fuel Tank	4
21	M11271-6	Nut, Clip	8
22	M16810A	Shell, Lower	1
23	M11084-27	Screw, Hex Hd., 10-16 x 1/2 Attaches Lower Shell to Upper Shell	8
24	M16645	Bracket, Motor Support	1
25	1000577	Grommet	2
26	M16697-02	Transformer, 5000 Volt	1
27	M11143-1	Bushing, Strain Relief	1
28	079218-02	Cord, Power	1
29	M13942-7	Connector, Wire	1
30	M51011-01AA	Tank, Fuel	1
31	M51027-06	Cap, Fuel	1
32	M51001-01	Filter, Fuel	1
33	M10990-3	Bushing, Rubber, Fuel Line Into Fuel Tank	1
34	M27417	Plug, Drain, Includes "O" Ring	1
35	1000576	Grommet Leads Thru Lower Shell	2
36	M12462-6	Relay, Motor Start	1
37	M25296-1	Bracket, Safety Control	1
38	M11084-27	Screw, 10-16 x 1/2	2
39	M9900-77	Assembly, Wire	1
40	M12650-9	Capacitor	1
41	M12651-1	Bracket, Capacitor	1

KEY NO.	PART NUMBER	PART DESCRIPTION	QT.
1	M51334-03	Handle, Front	1
2	M51334-01	Handle, Rear	1
3	M12831-3	Frame Wheel Support	1
4	M12345-33	Screw, Oval Hd., 10-24 x 1 3/4	8
5	NTC-3C	Nut, Torque, Lock No. 10-24	8
6	M28526	Nut, Cap	2
7	079023-01	Wheel	2
8	M16801-2	Axle	1



1	M16790-12	Tube, Filter, (Fuel Line)	1
1	M19630	Filter, Fuel	1
1	M13849	Nut, Flared	1
1	M16741-18	Ring, Retaining	1
1	M16787-9	Nozzle Adapter Assembly	1
1	M16791	Connector, Male	1
1	M50817-01	Fitting Barb	1
1	M8882	Sleeve, Nozzle Seal	1
1	M10659-1	Washer, Nozzle	2
1	M10809-1	Spring, Nozzle Seal	1
1	M18022	Nozzle, 1.1 GPH	1
1	M16535	Adapter, Nozzle	1
1	M10962-2	Spark Plug	1
1	M23090	Body, Burner Head	1

