

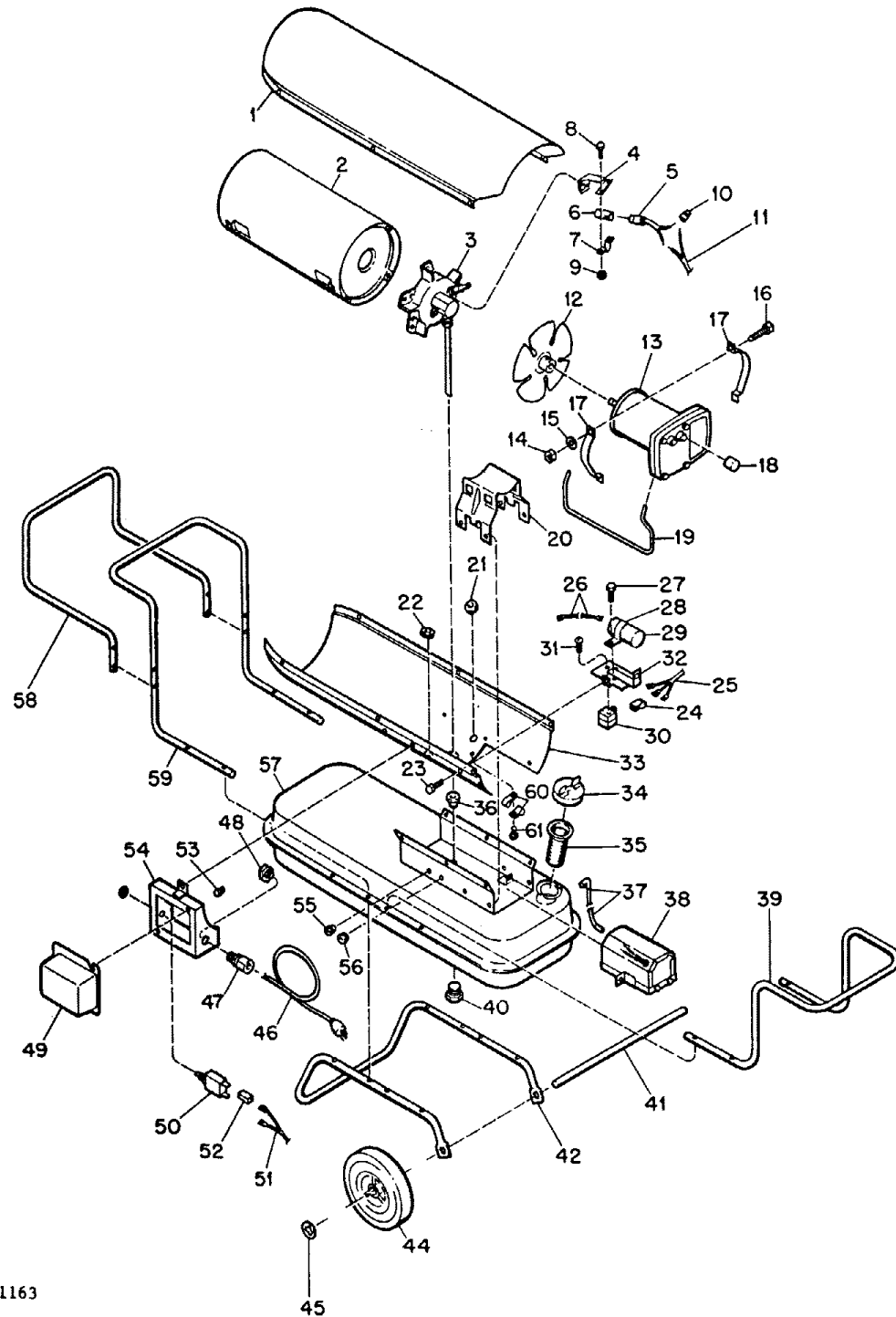
CANADA
Model F66C

KNIPCO LOW PRESSURE
Spec 3191G02 Rev 12-76

Fig. & Index No.	Number	Part Name	Qty.
1	M26207-2B	Shell, Upper	1
	M11084-26	Screw, Hex hd., No. 10-12 x 3/8 in. (AP)	6
	M11271-6	Nut, Tinnerman	6
2	M50248-02	Combustion Chamber Assy	1
3	M23443-5	Burner Head Assembly (For details see figure 13)	1
	M11084-26	Screw, Hex hd., No. 10-12 x 3/8 in. (AP)	3
4	M13961A	Bracket Photo Cell	1
	M10908-1	Screw, Hex hd., No. 6-32 x 1/4 in. (AP)	2
5	M23609-01	Photo Cell	1
6	M13962A	Tube, Photo Cell	1
7	M13963A	Clamp, Tube	1
8	M12461-2	Screw, Tube Clamp 6-32 x 3/8 in.	2
9	NPC-1C	Nut 6-32	2
10	M15714-2	Connector Wire	2
11	M28149-01	Lead Wire, Photo Cell	1
12	M25727	Fan, 25/32 pitch	1
	SF4-2-1/2K	Setscrew, Socket hd., cup pt. 1/4-28 x 5/16 in. (furnished with fan)	2
13	M25023-1	Motor Package Assembly (For details see figure 14)	2
14	NPC-4	Nut, Plain hex. 1/4-20 (AP)	2
15	WLM-4	Lockwasher, 1/4 in. (AP)	2
16	HC4-10C	Screw, Hex hd., 1/4-20 x 1-1/4 in. (AP)	2
17	M1661	Clamp, Motor (AP)	4
18	M26046	Cap	1
19	M25021	Air Line	1
20	M25059	Bracket, Motor Support	1
	M11084-26	Screw, Hex hd., No. 10-12 x 3/8 in. (AP)	4
21	1000576	Grommet	1
22	1000577	Grommet	2
23	M11084-26	Screw, Hex hd., 10-12 x 3/8 in. (Relay Bracket)	2
24	M25919	Insulator, Terminal	5
25	M16841-21	Wire Assembly, Relay	1
26	M16841-20	Wire Assembly, Capacitor	1
27	M11084-39	Screw, Hex hd., No. 8-15 x 1/2 in.	1
28	M12651-1	Clamp Capacitor	1
29	M12650-8	Capacitor	1
30	M25061-1	Relay, Motor Start	1
31	RC2-2C	Screw, Rd. hd., 8-32 x 1/4 in. (AP)	2
32	M25035	Bracket, Relay	1
33	M26968B	Lower Shell Assembly	1
	M11084-26	Screw, Hex hd., 10-12 x 3/8 in. (AP)	6
34	M23284	Cap, Filler	1
35	M50323	Screen, Filler neck	1
36	M10990-3	Bushing	1
37	M10816-43	Lead Assembly, Transformer	1
38	M25922	Transformer Assembly	1
39	M26204-3	Handle, Rear	1
	M12345-33	Screw, Oval hd., 10-24 x 1-3/4 in. (AP)	4

Fig. & Index No.	Part Number	Part Name	Qty.
	NTC-3C	Nut Torque Lock No. 10-24	4
40	M27417	Drain Plug Assembly	1
41	M16801-6A	Axle	1
42	M26205-3	Frame Wheel support	1
	M12345-33	Screw, Oval hd. 10-24 x 1-3/4 in. (AP)	6
	NTC-3C	Nut, Torque Lock 10-24 (AP)	6
44	M26307	Wheel	2
45	M28526	Nut Cap, Axle	2
46	M10813-41	Extension Cord Assembly	1
47	M6082	Connector, Straight	1
48	50460	Locknut	1
	RC3-4C	Screw, Rd. hd., No. 10-24 x 1/2 in. (Ground Wire)	1
	NTC-3C	Nut, Lock No 10-24 (Ground Wire)	1
49	M22082	Control Assembly, Safety	1
	RC3-4C	Screw, Rd. hd., No. 10-32 x 1/2 in (AP)	2
50	M15246	Circuit Breaker	1
51	M16841-19	Wire Assembly, Circuit Breaker	1
52	M25920	Insulator, Terminal	2
53	M15714-2	Connector, Wire	3
54	M26133-1C	Control Box Mounting Assy	1
	M11084-26	Screw, Hex hd., No. 10-12 x 3/8 in. (AP)	3
55	M25907	Bushing, Snap	1
56	M23611	Bushing, Snap	1
57	M27553-03AK	Fuel Tank Assembly	1
58	M26969-1	Guard, Nose	1
	M12345-33	Screw, Oval, 10-24 x 1-3/4 in. (AP)	4
	NTC-3C	Nut, Torque Lock No. 10-24 (AP)	4
59	M26967-3	Handle, Front	1
60	M3570	Clip, Nylon	2
61	M11084-39	Screw, Hex Hd., No. 8-15 x 1/2 in.	1
DECALS			
	M25958	Decal, Guard	1
	M29936	Decal, Tradename	1
	M25953	Decal, CAUTION	1
	M5009406	Decal, N.P.	1
	M26050	Decal, Wiring	1
	M25952	Decal, Operation Instructions	1
	M50227	Decal, Reset	1
	M4119	Label, CSA	1
	M50225-02	Decal Pump Pressure	2

CANADA KNIPCO LOW PRESSURE
MODEL F66C SPEC 3191G02 REV 12-76



1163

Figure 12. Heater Assembly, Exploded View

CANADA KNIPCO LOW PRESSURE MODEL F66C SPEC 3191G02 REV 12-76

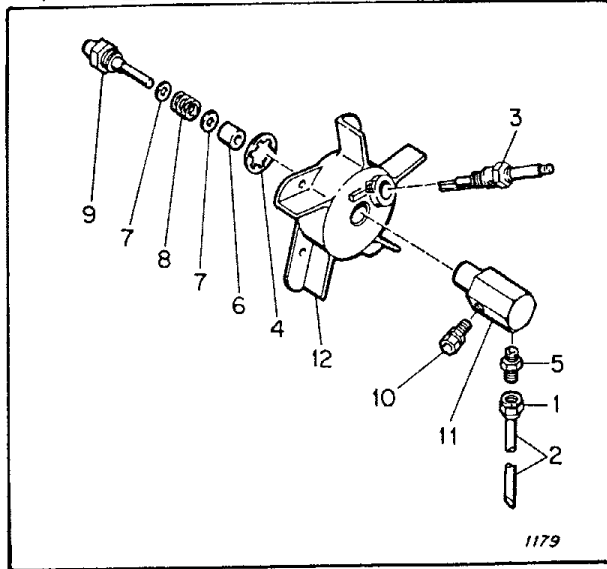


Figure 13. Burner Head Assembly

Index No.	Part Number	Part Name	Qty.
13-	M23443-4	Burner Head Assembly	Ref
1	M13849	Nut, Flared	1
2	M16789-8	Fuel Filter Assembly	1
3	M13031-2	. Spark Plug	1
4	M16741-18	. Ring, Retaining	1
	M23151-5	. Nozzle Adapter Assy	1
5	M5976	. . Connector, Male	1
6	M8882	. . Sleeve, Nozzle Seal	1
7	M10659-1	. . Washer, Nozzle Seal	2
8	M10809-1	. . Spring, Nozzle Seal	1
9	M26316	. . Nozzle, Aspirating	1
10	M16791	. . Connector, Male	1
11	M16535-2	. . Adapter, Nozzle	1
12	M25020	. Body, Burner Head	1

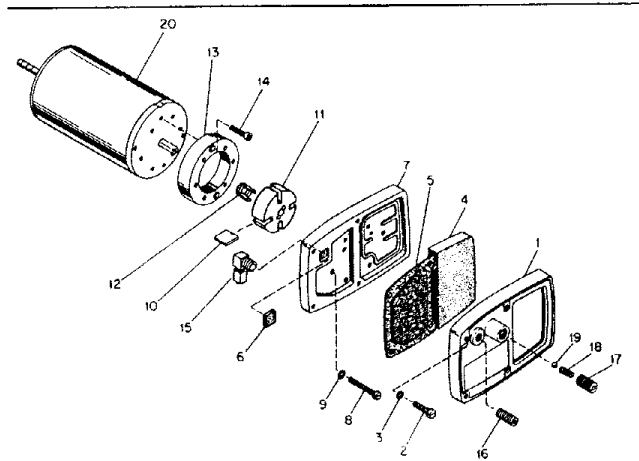


Figure 14. Motor Package Assembly

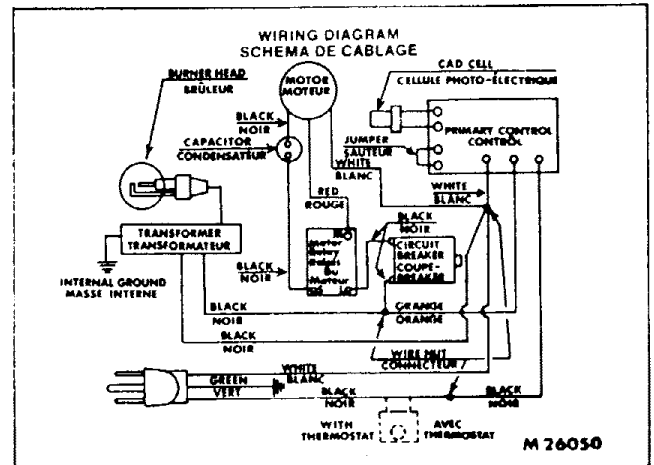


Figure 14. Motor Package Assembly

Index No.	Part Number	Part Name	Qty.
14	M25023-1	Motor Package Assembly	1
1	M16545	. End Cover, Filter	1
2	*M12461-31	. Screw, Hex hd. No. 10-32	4
3	*WLI-3	. Lockwasher, Internal No. 10 (AP)	4
4	M12179	. Intake Air Filter	1
5	M12244-1	. Output Filter Assy	1
6	M11637	. Filter, Lint	1
7	M12233	. Front Cover, Pump (Port Plate)	1
8	*M12461-32	. Screw, Hex hd, No. 10-32 x 1-1/8	6
9	WLI-3	. Lockwasher, Internal No. 10	6

Index No.	Part Number	Part Name	Qty.
10	M8643	. Blade, Pump	4
11	M22456-1	. Rotor, Pump	1
12	M22009	. Insert, Rotor	1
13	M8645	. Pump Body	1
14	*FHPF3-4C	. Screw (Pump Body to Motor)	2
15	69248	. Elbow, 90°	1
16	M22997	. Plug	1
17	M23105	. Screw, Pressure Adjustment	1
18	M10993-1	. Spring, Compression (Pressure Relief)	1
19	M8940	. Ball, 1/4 in. dia.	1
20	M25022-1	. Motor	1