

CANADA KNIPCO LOW PRESSURE

Fig. 12

Index No.	Part Number	Part Name	Qty.
1	M17015-3B	Shell, Upper	1
	M11084-27	Screw, Hex hd., No. 10-12 x 1/2 in. (AP)	6
	M11271-6	Nut, Tinnerman	6
2	M16679	Deflector, Heat	1
3	M16887-7	Combustion Chamber Assembly	1
4	M16803-7	Burner Head Assembly (For details see figure 13)	1
-	M11084-27	Screw, Hex hd., No. 10-12 x 1/2 in. (AP)	3
5	M13961A	Bracket Photo Cell	1
-	M10908-1	Screw, Hex hd., No. 6-32 x 1/4 in. (AP)	2
6	M23609	Photo Cell	1
7	M13962A	Tube, Photo Cell	1
8	M13963A	Clamp, Tube	1
9	M12461-2	Screw, Hex hd., 6-32 x 3/8 in.	2
10	NPC-1C	Nut, Plain, 6-32	2
11	M15714-2	Connector, Wire	2
12	M25912-2	Lead Wire, Photo Cell	1
13	M12461-27	Screw, Hex hd., No. 10-32 x 1/2 in.	1
14	M24717	Clamp	1
15	WLM-3	Lockwasher	1
16	NPF-3C	Nut, Hex, 10-32	1
17	M16871	Strap, Retainer	1
-	M11084-27	Screw, Hex hd., No. 10-12 x 1/2 in. (AP)	2
18	M17058	Fan, 16" Pitch	1
	SF4-2-1/2K	Setscrew, Socket hd., cup pt., 1/4-28 x 5/16 in. (furnished with fan)	2
19	M17875-8	Motor Package Assembly (For details see figure 14)	1
20	NPC-4	Nut, Plain hex, 1/4-20 (AP)	2
21	WLM-4	Lockwasher, 1/4 in. (AP)	2
22	HC4-10C	Screw, Hex hd., 1/4-20 x 1-1/4 in. (AP)	2
23	M16661	Clamp, Motor (AP)	4
24	M26046	Cap	1
25	M16804	Air Line	1
25A	M12828A	Shell Support Bracket	1
26	M16645	Bracket, Motor Support	1
-	M11084-27	Screw, Hex hd., No. 10-12 x 1/2 in. (AP)	4
27	1000576	Grommet	3
28	1000577	Grommet	1
29	M11084-27	Screw, Hex hd., 10-12 x 1/2 in. (Relay bracket)	1
30	M11271-6	Nut, Tinnerman	1
31	M25920	Insulator, Terminal	5
32	M16841-21	Wire Assembly, Relay	1
33	M16841-20	Wire Assembly, Capacitor	1
34	M11084-39	Screw, Hex hd., No. 8-15 x 1/2 in.	1
35	M12651-1	Clamp Capacitor	1
36	M12650-1	Capacitor	1
37	M12462-6	Relay, Motor start	1
38	RC2-2C	Screw, Rd hd., 8-32 x 1/4 in. (AP)	2
39	M11952	Bracket, Relay	1
40	M27285B	Lower Shell Assembly	1
-	M11084-27	Screw, Hex hd., 10-12 x 3/8 in. (AP)	4

Fig. 12

Index No.	Part Number	Part Name	Qty.
-	M11084-29	Screw, Hex hd., 10-12 x 3/4 in. (AP)	4
41	M23284	Cap, Filler	1
42	M18053	Screen, Filler Neck	1
43	M10990-3	Bushing	1
44	M10816-41	Lead Assembly, Transformer	1
45	M25922	Transformer Assembly	1
46	M11084-27	Screw, Hex hd., 10-12 x 1/2 in. (AP)	2
47	M14243A	Handle, Rear	1
48	M12345-34	Screw, Oval hd., 10-24 x 2 in. (AP)	4
49	NTC-3C	Nut, Torque Lock No. 10-24 (AP)	4
50	M27417	Drain Plug Assembly	1
51	M16801-2A	Axle	1
52	M12831A	Frame, Wheel support	1
53	M12345-34	Screw, Oval hd., 10-24 x 2 in. (AP)	4
54	NTC-3C	Nut, Torque Lock, 10-24	4
55	WP-8C	Washer, Flat 1/2 in.	4
56	M19295	Wheel	2
57	M16741-15	Ring, Retaining	2
58	M10813-41	Extension Cord Assembly	1
59	M6082	Connector, Straight	1
60	50460	Locknut	1
61	RC3-4C	Screw, Rdhd., No. 10-24 x 1/2 in. (Ground wire)	1
62	NTC-3C	Nut, Lock No. 10-24 (Ground wire)	1
63	M22082	Control Assembly, Safety	1
64	RF3-4C	Screw, Rd. hd., No. 10-32 x 1/2 in. (AP)	2
65	M25297-9	Thermostat Assembly	NA
-	NPC-1C	Nut, Plain hex, No. 6-32 (AP)	2
-	WLI-1	Lockwasher, No. 6 (AP)	2
-	RC1-3C	Screw, Rd hd., No. 6-32 x 3/8 in. (AP)	2
-	M17063-31	. Cable Assembly	1
-	M25131	. Bushing, Strain Relief	1
-	M25046	. Thermostat	1
66	M25121B	Bracket, Thermostat	1
-	M11084-27	Screw, Hex hd., No. 10-12 x 1/2 in. (AP)	2
67	M11143	Bushing, Strain Relief	1
68	M27284	Circuit Breaker	1
69	M16841-19	Wire Assy, Circuit Breaker	1
70	M25920	Insulator, Terminal	2
71	M15714-2	Connector, Wire	4
72	M27324-1B	Control Box Mounting Assembly	1
73	M11084-27	Screw, Hex hd, No. 10-12 x 1/2 in. (AP)	2
74	M25907	Bushing, Snap	1
75	M23611	Bushing, Snap	1
76	M27547-02A	Fuel Tank Assembly	1
77	M21983A	Guard, Nose	1
78	M12345-34	Screw, Oval, 10-24 x 2 in. (AP)	4
79	NTC-3C	Nut, Torque Lock No. 10-24 (AP)	4
80	M21997A	Handle, Front	1
81	M3570	Clip, Nylon	2
82	M11084-39	Screw, Hex hd, 8-15 x 1/2 in. (AP)	2
	M29936	Decal, Tradename	1
	M17081	Decal, Atomaster	1
	M24809	Decal, Mfg. by	1
	M25958	Decal, Guard	1
	M25953	Decal, CAUTION	1
	M27721	Decal, N. P.	1
	M26050	Decal, Wiring	1
	M25952	Decal, Operation Instructions	1

CANADA KNIPCO LOW PRESSURE
MODEL F150C SPEC 3198602 Rev 6/73

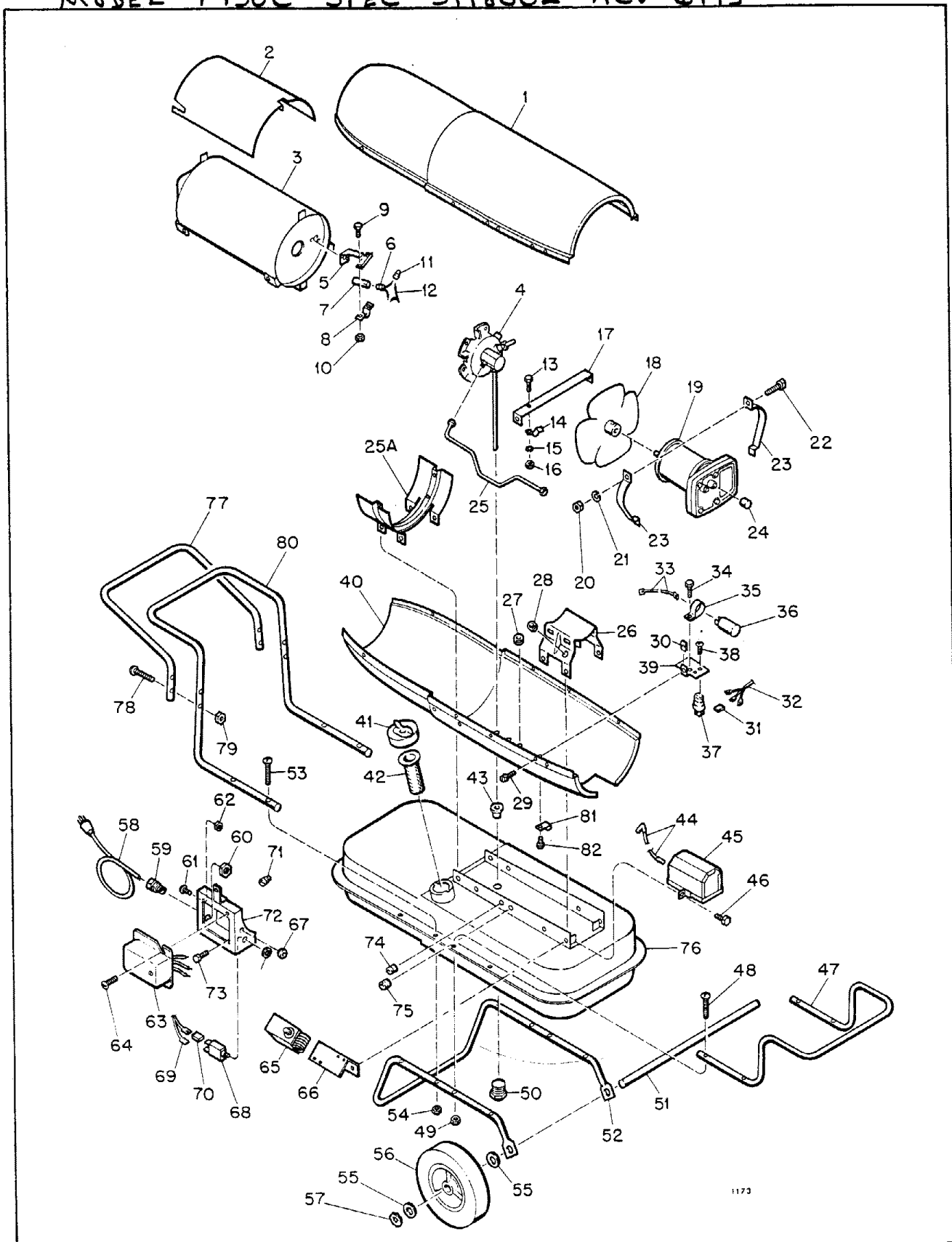


Figure 12. Heater Assembly, Exploded View

CANADA KNIPCO LOW PRESSURE MODEL F150C SPEC 3198G02 Rev 6/73

Fig. 12

Index No.	Part Number	Part Name	Qty.
	M25325	Decal, Reset	1
	M4119	Label, CSA	1
	57305	Rivet	2

Fig. 12

Index No.	Part Number	Part Name	Qty.
		TOUCH-UP PAINT	
	M23353-6	Paint, Yellow, Aerosol Can	
	M23353	Paint, Green, Aerosol Can	

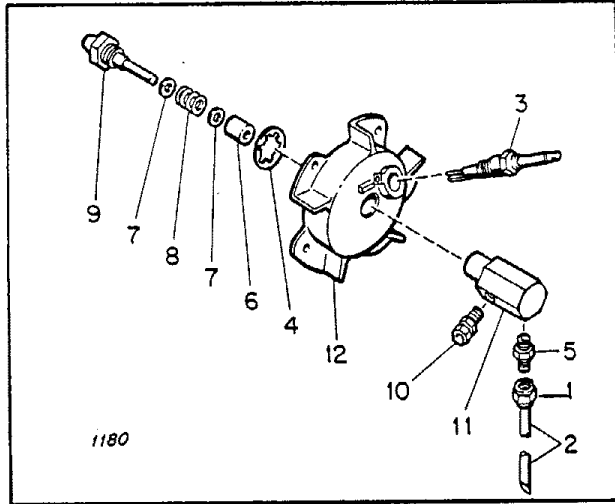


Figure 13. Burner Head Assembly

Fig. 13

Index No.	Part Number	Part Name	Qty.
-	M16803-7	Burner Head Assembly	Ref
1	M13849	. Nut, Flared	1
2	M16789-7	. Fuel Filter Assembly	1
3	M13031-2	. Spark Plug	1
4	M16741-18	. Ring, Retaining	1
	M16787-7	. Nozzle Adapter Assy	1
5	M5976	. . Connector, Male	1
6	M8882	. . Sleeve, Nozzle Seal	1
7	M10659-1	. . Washer, Nozzle Seal	2
8	M10809-1	. . Spring, Nozzle Seal	1
9	M18022	. . Nozzle, Aspirating	1
10	M16791	. . Connector, Male	1
11	M16535-2	. . Adapter, Nozzle	1
12	M23090	. Body, Burner Head	1

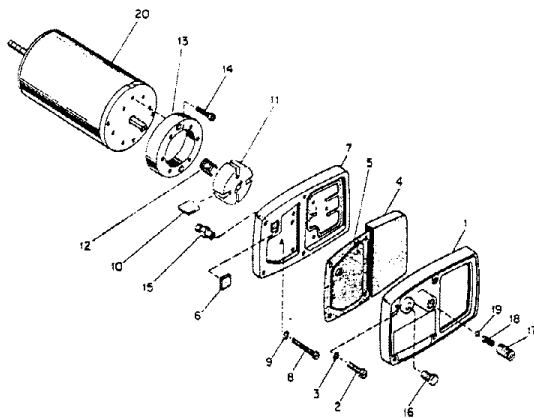
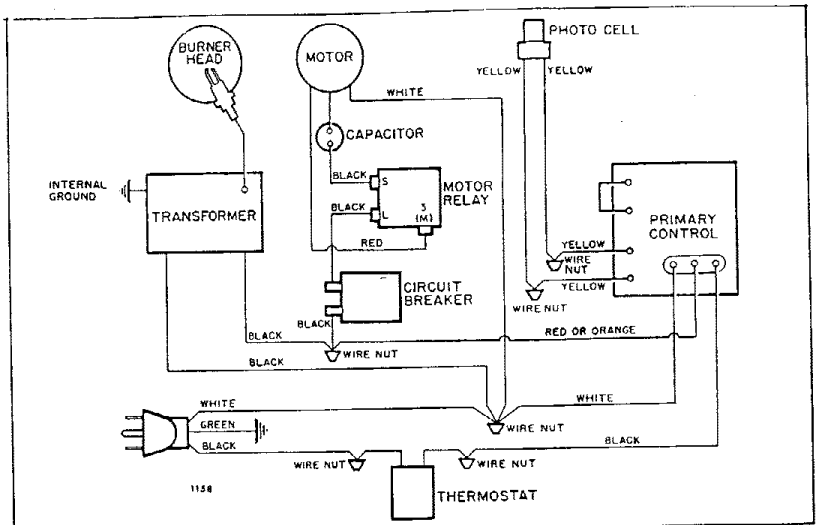


Figure 14. Motor Package Assembly

Index No.	Part Number	Part Name	Qty.
17-	M17875-8	Motor Package Assembly	1
1	M16545	. End Cover, Filter	1
2	*M12461-31	. Screw, Hex hd. No. 10-32 x 1 (AP)	4
3	*WLI-3	. Lockwasher, Internal No. 10 (AP)	4
4	M12179	. Intake Air Filter	1
5	M12244-1	. Output Filter Assy	1
6	M11637	. Filter, Lint	1
7	M12233	. Front Cover, Pump (Port plate)	1
8	*M12461-34	. Screw, Hex hd., No. 10-32 x 1-1/2 (AP)	6
9	WLI-3	. Lockwasher, Internal No. 10 (AP)	6



Wiring Diagram

Index No.	Part Number	Part Name	Qty.
10	M8643-3	. Blade, Pump	4
11	M22456-3	. Rotor, Pump	1
12	M22009	. Insert, Rotor	1
13	M8645-3	. Pump Body	1
14	*FHPF3-7C	. Screw (Pump Body to Motor)	2
15	M5976	. Connector, Male	1
16	M22997	. Plug	1
17	M27694	. Screw, Pressure Adjustment	1
18	M10993-1	. Spring, Compression (Pressure Relief)	1
19	M8940	. Ball, 1/4 in. dia.	1
20	M17814-5	. Motor	1

AP Indicates attaching parts.
* Standard Hardware. Purchase Locally.