

# Reddy M150 E Spec#s

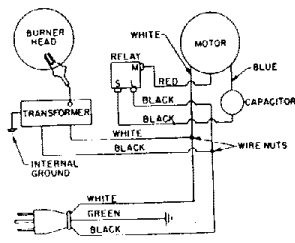
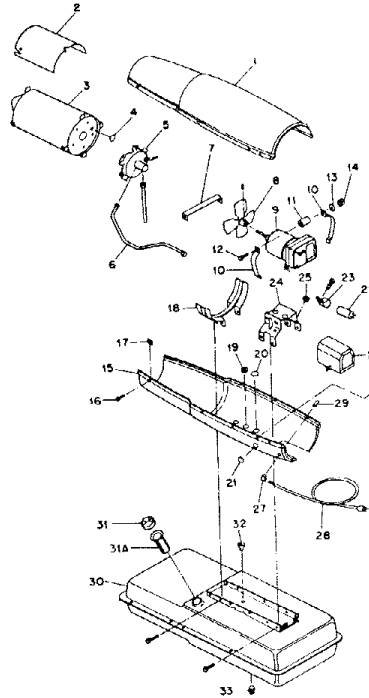
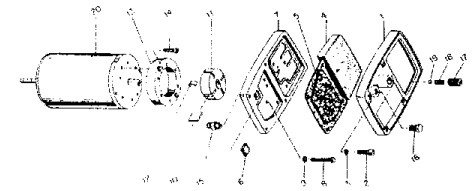
2964G20  
+  
2968G22

Form#  
2393-1

6-69

1	M17015G1	Shell, Upper
2	M16679	Deflector, Heat
3	M16781G1	Combustion Chamber
	M16887G3	Combustion Chamber
-	M11084-27	Screw (Combustion Chamber attaching, front)
-	M11084-29	Screw (Combustion Chamber attaching, rear)
4	M15995	Plug Button (Rear head of Combustion Chamber)
5	Reference	<u>Burner Head Assembly</u> (See Figure 14)
-	M11084-27	Screw (Burner Head to Combustion Chamber)
6	M16879	Air Line
	M16804	Air Line
7	M15807	Strap, Retainer
	M16871	Strap, Retainer
-	M11084-27	Screw (Retainer Strap to Lower Shell)
8	M12464	Fan, 20° Pitch (Alternate: M19566)
	M17920	Fan, 20° Pitch
-	SF4-2-1/2K	Setscrew, Soc. hd., cup pt, 1/4-28 (Fan to Motor Shaft)
9	Reference	<u>Motor Package Assembly</u> (See Figure 15)
10	M16661	Clamp, Motor
11	M13620	Spacer, Motor Clamp
12	HC4-10C	Screw (Motor Clamps)

1	13	WLM-4	Lockwasher, 1/4 in. (Motor Clamps)
1	-	14	NPC-4C Nut, Hex, 1/4-20 (Motor Clamps)
1	15	M16777	Shell, Lower
		M16810	Shell, Lower
2	16	M11084-27	Screw (Upper Shell to Lower Shell)
17	M11271-6	Nut, Tinnerman (Upper Shell to Lower Shell)	
2	18	M12330	Bracket, Shell Support
		M12828	Bracket, Shell Support
1	-	M11084-27	Screw (Support Bracket to Lower Shell and Fuel Tank)
1	-	M11084-29	Screw (Lower Shell to Support Bracket)
3	-	19	1000576 Grommet (Ignition Cable thru Lower Shell)
1	-	20	M15809 Plug Button (for 17/32" dia. hole)
1	21	M15995-2	Plug Button (for 7/16" dia. hole)
2	22	M12650-3	Capacitor (Alternate: M12650-4)
-	23	M12651	Clamp, Capacitor Mounting (for Mallory Capacitor)
1	-	M16708	Clamp, Capacitor Mounting (for G-E Capacitor)
2	-	M11084-27	Screw (M12651 Clamp to Motor Support Bracket)
1	-	M15823-26	Screw (M16708 Clamp to Motor Support Bracket)
4	-	ST2-8B	Screw (M16708 Clamp)
2	24	M16646	Bracket, Motor Support
2		M16645	Bracket, Motor Support
-		M11084-27	Screw (Motor Support Bracket to Lower Shell and Fuel Tank)
25	1000576	Grommet (Motor Leads thru Motor Support Bracket)	
	1000577	Grommet (Motor and Capacitor Leads thru Motor Support Bracket)	
-	M15823-26	Screw (Service Cord grounding to Motor Support Bracket)	
26	M17921	Transformer, 5000-Volt (G-E)	
	M17922	Transformer (Jefferson) Alternate for M17921	
-	M11084-27	Screw (Transformer to Motor Support Bracket)	
27	M11954	Bushing, Strain Relief (Service Cord to Lower Shell)	
28	M15779G8	Service (Extension) Cord	
	M15779G9	Service (Extension) Cord	
29	M13942-4	Connector (Wire Nut)	
30	M18797G1	Fuel Tank (Superseded by	
31	M3353	Cap, Fuel Tank (Used with M16797 and M16806G1 Fuel Tanks) A	
31	M18051	Cap, Fuel Tank (Used with M18360G1 and M18371G1 Fuel Tanks) B	
31A	M18053	Screen, Filler Neck (Used with M18360G1 and M18371G1 Fuel Tanks) B	
32	M10990-3	Bushing, Rubber (Fuel Filter into Fuel Tank)	
33	M13990	Plug, Pipe, 1/4 in., Sq. hd. (Fuel Tank Drain) (Not Used)	
34		(Not Used)	
35		(Not Used)	
36	M11952	Bracket, Starting Relay Mounting	
-	M11084-27	Screw (Relay Mounting Bracket to Lower Shell)	
37	M12462-3	Relay, Starting	



1	M16789G3	Filter Assy, Fuel	-	1
1A	M16790-2	Filter Tube	@	-
1A	M16790-3	Filter Tube	@	(1)
1B	M17460	Filter, Fuel (Used with M16790-2 or M16790-3 Filter Tube as alternate for M16789G2 or M16789G3)		(1)
2	M13849	Nut, Flare		1
3	M16741-18	Ring, Retaining		-
-	M16787G4	Nozzle Adapter Assy		1
	M16787G3	Nozzle Adapter Assy		1
4	M16791	Connector, Male		1
5	M5976	Connector, Male		1
6	M3882	Sleeve, Nozzle Seal		1
7	M10659-1	Washer, Nozzle Seal		2
8	M10809-1	Spring, Nozzle Seal		1
9	M18048	Nozzle, Aspirating, 0.61 gph		-
	M18022	Nozzle, Aspirating, 1.1 gph		1
10	M16535	Adapter, Nozzle		1
11	M16895G1	Spark Plug Assy	@	1
12		(Not Available)		-
13	M18023	Body, Burner Head		1
14	M18534	Body, Burner Head		-

