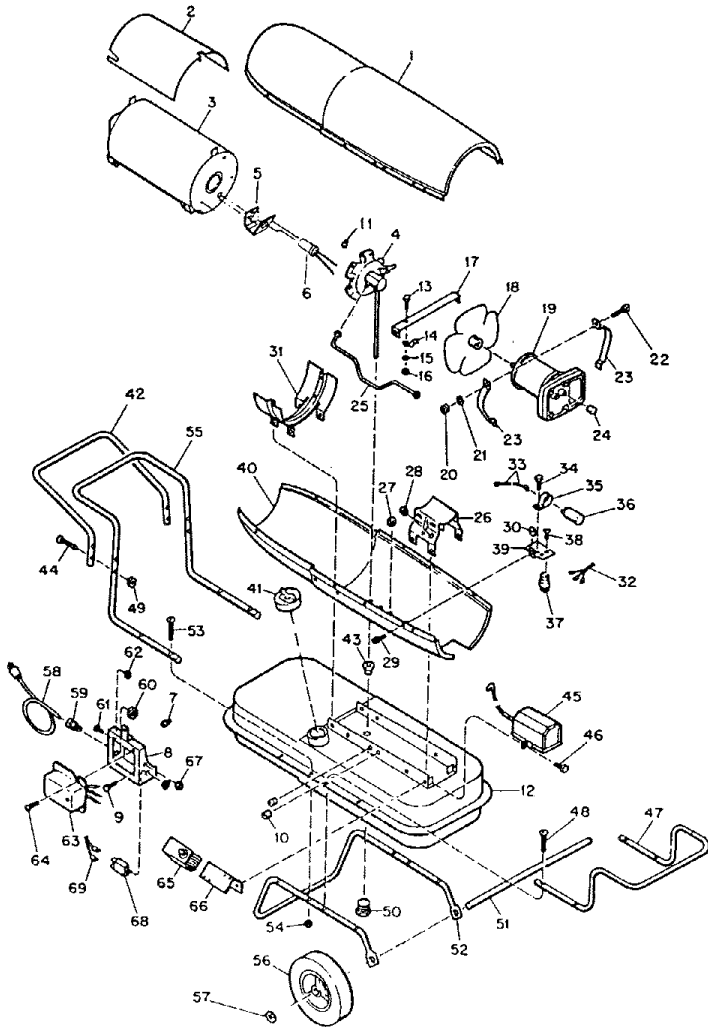


MASTER PORTABLE HEATER MODEL BC150
FA4324-1 M50092-47 REV. A

PARTS - MODEL BC150



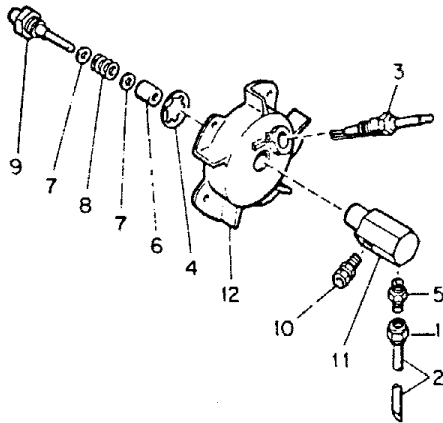
HEATER EXPLODED VIEW

PARTS AVAILABLE - NOT SHOWN

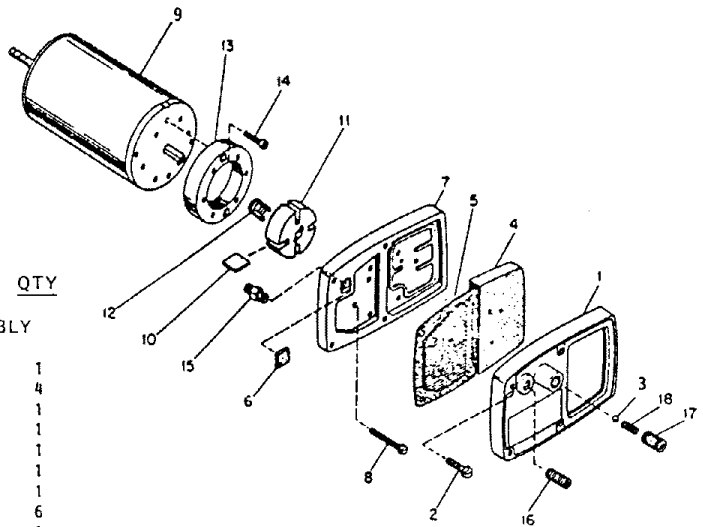
1	M30732	Decal, Tradename
2	M25958	Decal, Guard
3	M25953	Decal, Caution
4	M26050	Decal, Wiring
5	M25952	Decal, Operation Instructions
6	M50227	Decal, Reset
7	M4119	Label, CSA
8	M50094-37	Decal, Nameplate
9	M50716	Decal, Model
10	M50229	Decal, Fuel

KEY NO.	PART NUMBER	PART DESCRIPTION	QTY
1	M27286AZ	Upper Shell	1
	M11084-27	Screw (10-16 x 1/2)	8
	M11271-6	Clip Nut	8
2	M16679	Heat Deflector	1
3	M16887-7	Combustion Chamber Assembly	1
4	M16803-7	Burner Head Assembly	1
	(See Page 14 For Details)		
	M11084-27	Screw (10-16 x 1/2)	3
5	M16660	Photocell Bracket	1
	M10908-2	Screw (6-32 x 3/8)	2
6	M16656-12	Photocell Assembly	1
7	M15714-2	Wire Connector	4
8	M27324-1AZ	Control Box Mounting Assembly	1
9	M11084-27	Screw (10-16 x 1/2)	2
10	M23611	Snap Bushing	2
11	M15714-2	Wire Connector	2
12	M51011-05AA	Fuel Tank Assembly	1
13	M12461-27	Screw (10-32 x 1/2)	1
14	M24717	Tube Clamp	1
15	WLM-3	Lockwasher (No. 10)	1
16	NPF-3C	Machine Nut (10-32)	1
17	M16871	Retainer Strap	1
	M11084-27	Screw (10-16 x 1/2)	2
18	M17058	Fan (Includes 1/4-28 x 5/16 Setscrew)	1
19	M17875-8	Motor and Pump Assembly (See Page 14 For Details)	1
20	NPC-4	Hex Nut (1/4-20)	2
21	WLM-4	Lockwasher (1/4)	2
22	M51043-01	Screw (1/4-20 x 1 1/2)	2
23	M16661	Motor Clamp	4
24	M26046	Cap	1
25	M16804	Airline	1
26	M16645	Motor Support Bracket	1
	M11084-27	Screw (10-16 x 1/2)	4
27	1000576	Grommet	2
28	1000577	Grommet	1
29	M11084-27	Screw (Relay Bracket, 10-16 x 1/2)	1
30	M11271-2	Clip Nut	1
31	M12828	Shell Support Bracket	1
32	M16841-21	Wire Assembly (Relay)	1
33	M16841-20	Wire Assembly (Capacitor)	1
34	M11084-39	Screw (8-18 x 1/2)	1
35	M12651-1	Capacitor Clamp	1
36	M12650-9	Capacitor	1
37	M12462-6	Relay (Motor Start)	1
38	RC2-2C	Screw (8-32 x 1/4)	2
39	M11952	Relay Bracket	1
40	M16810-04AZ	Lower Shell Assembly	1
	M11804-27	Screw (10-16 x 1/2)	4
	M11084-29	Screw (10-16 x 3/4)	4
41	M23284	Filler Neck Cap	1
42	M21983-1	Nose Guard	1
43	M10990-3	Bushing	1
44	M12345-33	Screw (10-24 x 1 3/4)	4
45	M16697-03	Transformer	1
46	M11084-27	Screw (10-16 x 1/2)	2
47	M14243-3	Rear Handle	1
48	M12345-33	Screw (10-24 x 1 3/4)	4
49	NTC-3C	Torque Nut (10-24)	4
50	M27417	Drain Plug	1
51	M16801-2	Axle	1
52	M12831-3	Wheel Support Frame	1
53	M12345-34	Screw (10-24 x 2)	4
54	NTC-3C	Torque Nut (10-24)	8
55	M21997-1	Front Handle	1
56	M19294	Wheel	2
57	M28526	Cap Nut	2
58	M10813-85	Extension Cord Assembly	1
59	M6082	Connector	1
60	50460	Locknut	1
61	RC3-4C	Screw (Ground Wire, 10-24 x 1/2)	1
62	NTC-3C	Nut (Ground Wire, 10-24)	1
63	M22082	Primary Safety Control	1
64	RF3-4C	Screw (10-32 x 1/2)	2
65	M25297-9	Thermostat Assembly	1
	M17063-31	Cable Assembly	1
	M25131	Strain Relief Bushing	1
	M25046	Thermostat	1
	NPC-1C	Machine Nut (6-32)	2
	WLI-1	Lockwasher (No. 6)	2
	RC1-3C	Screw (6-32 x 3/8)	2
66	M25121B	Thermostat Bracket	1
67	M11143-1	Strain Relief Bushing	1
68	M27284	Circuit Breaker	1
69	M16841-19	Wire Assembly (Circuit Breaker)	1

MASTER PORTABLE HEATER MODEL BC150
FA4324-1 M50092-47 REV. A



KEY NO.	PART NUMBER	PART DESCRIPTION	QTY
	M16803-7	BURNER HEAD ASSEMBLY	
1	M13849	Flared Nut	1
2	M16789-7	Fuel Filter Assembly	1
3	M10962-2	Spark Plug	1
4	M16741-18	Retaining Ring	1
	M16787-7	Nozzle Adapter Assembly (Includes Key Numbers 5, 6, 7, 8, 9, 10 and 11)	
5	M5976	Male Connector	1
6	M8882	Sleeve	1
7	M10659-1	Nozzle Seal Washer	2
8	M10809-1	Nozzle Seal Spring	1
9	M18022	Nozzle	1
10	M16791	Male Connector	1
11	M16535	Nozzle Adapter	1
12	M23090	Burner Head Body	1



KEY NO.	PART NUMBER	PART DESCRIPTION	QTY
	M17875-8	MOTOR AND PUMP ASSEMBLY	
1	M16545	Filter End Cover	1
2	M12461-31	Screw (10-32 X 1)	4
3	M8940	Steel Ball (1/4 inch)	1
4	M12179	Intake Filter	1
5	M12244-1	Filter Assembly	1
6	M11637	Lint Filter	1
7	M50545	Pump End Cover	1
8	M12461-34	Screw (10-32 X 1 1/8)	6
9	M50450-01	Motor	1
10	M8643-3	Pump Blade	4
11	M22456-3	Pump Rotor	1
12	M22009	Rotor Insert	1
13	M8645-3	Pump Body	1
14	FHPF3-7C	Screw (10-32 X 7/8)	2
15	M5976	Male Connector	1
16	M22997	Pipe Plug	1
17	M27694	Adjusting Screw	1
18	M10993-1	Pressure Relief Spring	1

WIRING DIAGRAM

