

MASTER PORTABLE HEATER MODELS B80 and B80C  
Form No. K-306 10/61

Figure & Index No.	Part Number	Part Name	Model B-80	Model B-80C
3-5	M8796	Fuel Filter	1	1
3-8	M8635	Cover	1	1
3-9	ST-2-3B	Screw	4	4
3-17	M8789	Burner Assembly	1	1
3-24	M8990	Electrode, LH	1	1
3-24	M8989	Electrode, RH	1	1
3-28	RF3-3C	Round Head Screw	3	3
3-29	M8685	Fuel Line	1	1
3-33	M8633	Access Door	1	1
3-47	M8769	Air Cleaner	1	1
3-49	M8674	Air Output Filter	1	1
3-50	M8651	Block (Housing)	1	1
3-51	M8652	Filter Stem	1	1
3-52	M8653	Felt Filter	2	2
3-70	M3259-4	Transformer	1	1
3-84	M8681	Air Line	1	1
3-85	M8849	Filter Element	1	1
3-93	M9210	Relay, Line Voltage	1	1
3-97	M9232	Protector, Motor	1	1
3-99	M3480	Switch	1	1
3-100	M9211	Cell, Safety Control	1	1
4-1	M8634	Fuel Tank	1	1
4-1	M9228	Fuel Tank	-	-
4-2	M3353	Cap, Fuel Tank	1	1
4-3	ST4-4B	Screw, Hexagon Head	4	4
4-4	1000576	Grommet	3	5
4-5	M8798	Fuel Filter	1	1
4-6	STP 3-3	Screw, Self Tapping	1	1
4-7	M8890	Drain Plug	1	1
4-8	M8635	Cover	1	1
4-9	ST-2-3B	Screw, Self Tapping	4	4
4-10	WP4	Washer, Flat	4	4
4-11	M8637	Shell, Outer	1	1
4-11	M9229	Shell, Outer	-	1
4-12	1000576	Grommet	2	2
4-13	M3530	Grommet	1	1
4-14	M9127	Nut, Tinnerman	2	2
4-15	M8626	Combustion Chamber	1	1
4-15	M9241	Combustion Chamber	-	1
4-16	STP 3-3	Screw, Self Tapping	1	1
4-17	M8789	Burner Assembly	1	1
4-18	M8716	Body, Burner	1	1
4-19	M8667	Nozzle	1	1
4-20	69251	Elbow, 90°	1	1
4-21	M8994	Plug, Pipe	1	1
4-22	M8882	Sleeve	1	1
4-23	M8958	Nut, Gland	1	1
4-24	M8989	Electrode, Left Hand	1	1
4-24	M8990	Electrode, Right Hand	1	1
4-25	M3980	Bushing	2	2
4-26	69249	Connector	1	1
4-27	ROP12-8	Pin, Roll	2	2
4-28	RF3-3C	Screw, Round Head	3	3
4-29	M8685	Fuel Line Assembly (Filter to Burner)	1	1
4-30	M8628	Cowl	1	1
4-31	ST2-3B	Screw	2	2
4-32	WLI-2	Lock Washer	2	2
4-33	M8633	Door, Access	1	1
4-34	ST-2-3	Screw, Round Head	2	2
4-35	WLI-2	Lock Washer	2	2
4-36	M8641	Motor, Grille, Fan, Pump and Filter Assembly	1	1
4-36	M9237	Motor, Grille, Fan, Pump and Filter Assembly	-	1
4-37	M8610	Motor	1	1
4-37	M8610-1	Motor	-	1
4-38	ROP12-8	Pin, Roll	2	2
4-39	M8658	Pump Assembly	1	1
4-40	M8644	Rotor	1	1
4-41	M8645	Body	1	1
4-42	M8646	Cover, End	1	1
4-43	M8643	Blades, Carbon	4	4
4-44	M8877	Pin, Rotor	1	1
4-45	FHPF-3-12	Screw, Socket Head	4	4
4-46	M3962	Lock Washer	6	6
4-47	M8769	Cleaner, Air	1	1
4-48	M5292	Gasket	1	1
4-49	M8764	Filter, Output	1	1
4-50	M8651	Block	1	1
4-51	M8652	Stem, Filter	1	1
4-52	M8653	Filter (Felt)	2	2
4-53	M8784	Gasket	1	1

Figure & Index No.	Part Number	Part Name	Model B-80	Model B-80C
4-54	FHPF-3-14	Screw, Socket Head	2	2
4-55	M8943	Valve, Pressure relief	1	1
4-56	M8992	Cap, Seal	1	1
4-57	M9181	Plug	1	1
4-58	M9132	Elbow, 90°	1	1
4-59	M8948	Grille	1	1
4-60	RC2-3	Screw, Round head	4	4
4-61	WLE-2	Lock Washer	4	4
4-62	RC2-4	Screw, Round head	4	4
4-63	WLI-2	Lock Washer	4	5
4-64	M8697	Fan	1	1
4-65	M8800	Relay	1	1
4-66	STI-3B	Screw, Self Tapping	2	2
4-67	M8886	Nut, Tinnerman	2	2
4-68	M5052-34	Lead, Starting relay to line	1	1
4-69	M8208-4	Tubing, Polyform No. 8	3	5
4-70	M3259-4	Transformer	1	1
4-71	NPC-4	Nut, Hexagon	2	2
4-72	WLM-4	Washer, Lock	2	2
4-73	M8977	Lead, Electrode	2	-
4-73	M9239	Lead, Electrode	-	2
4-74	M8949	Strain Relief	2	2
4-75	M6916	Bushing	3	3
4-76	M3558	Wire Nut	2	2
4-77	M8935	Cord, Extension	1	-
4-77	M8828	Cord, Extension	-	1
4-78	69321-10	Terminal, Ground	1	1
4-79	M8921	Leg, Front	1	1
4-80	M8704	Plug Button	2	2
4-81	RF3-8C	Screw, Round head	8	8
4-82	NLF-3C	Nut, Hexagon	2	2
4-84	M8681	Air Line	1	1
4-85	M8849	Element, Filter	1	1
4-86	C4-8	Pin, Cotter	2	2
4-87	WP-8	Washer	2	2
4-88	M9146	Axle	1	1
4-89	M3976	Wheel	2	2
4-90	ST 3-1/2-7	Screw	4	4
4-91	M8889	Brace Assembly	1	1
4-92	M8822	Leg, Rear	1	1
4-93	M9210	Relay, Line voltage	-	1
4-94	RC-1-2	Screw, Round head	-	1
4-95	WLI-1	Washer, Lock	-	1
4-96	ST-2-4	Screw, Round head	-	1
4-97	M9232	Protector, Motor	-	1
4-98	M9230	Guard, Reset button	-	1
4-99	M3480	Switch	-	1
4-100	M9211	Cell, Safety control	-	1
4-101	M9225	Bracket, Cell mounting	-	1
4-102	ST1-2B	Screw, Round head	-	4
4-103	M9321-10S	Terminal, Cell leads	-	2
4-104	M9234	Guard, Nose cone	-	1
4-105	RF3-10C	Screw, Round head	-	4
4-106	NLF-3	Nut, Hexagon	-	4
4-107	NSC-3	Nut, Tinnerman	-	1
	M8603	Decal, Filter	1	1
	M8987	Decal, Fuel tank drain	1	1
	M8953	Plate, Operating instructions	1	-
	M8986	Decal, Wiring diagram	1	1
	M9007	Nameplate, Master	1	-
	M9015	Decal, Master	1	1
	M9214	Nameplate, Master, Canadian	-	1
	ST1-2	Screw, Round head	-	4
	M4119	Label, Canadian approval	-	1
	M9044	Thermostat Kit (optional equipment)	1	1
	M9213	Plate, Operating instructions	-	1

MASTER PORTABLE HEATER MODELS B80 and B80C  
Form No. K-306 10/61

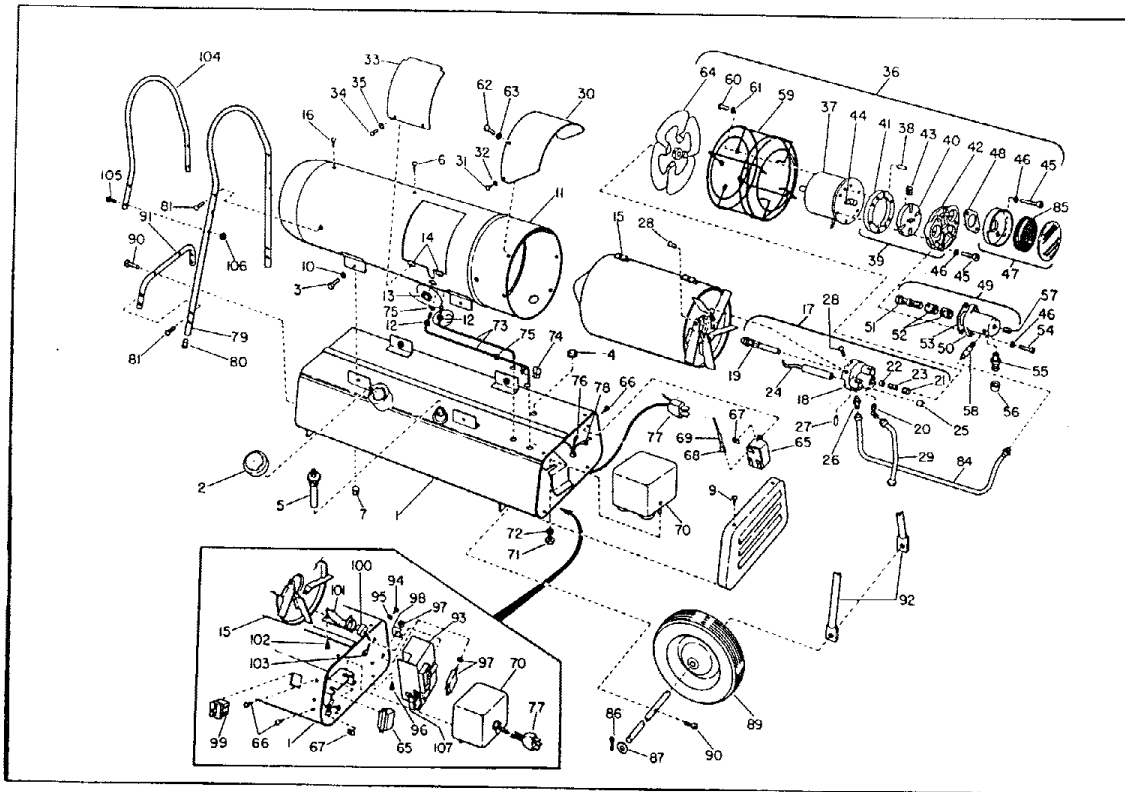


Figure 4. Portable Heater - Exploded View

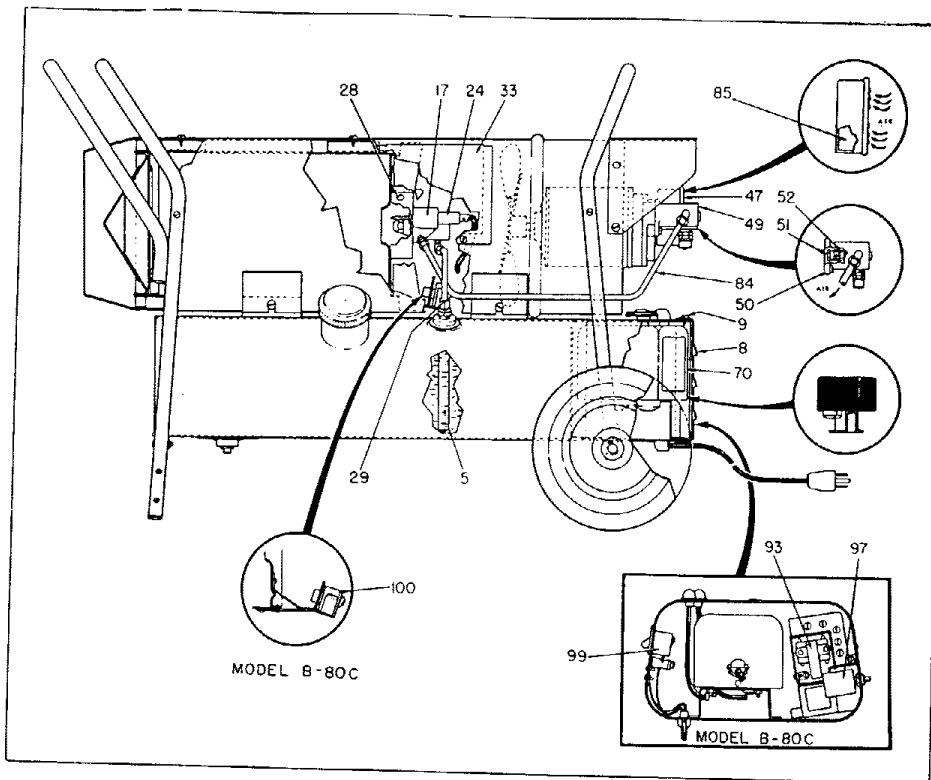


Figure 3. Portable Heater - Side View

