

Figure 7. Portable Heater - Exploded View

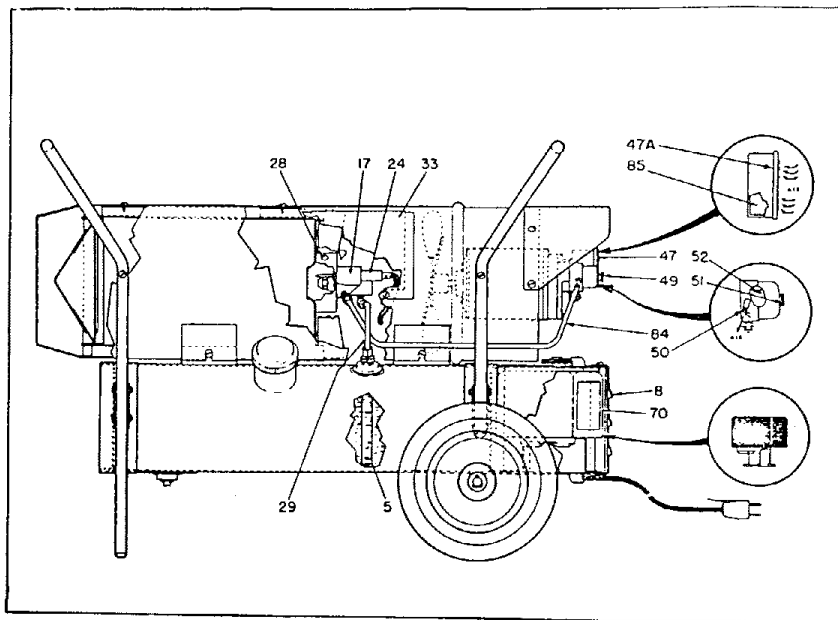


Figure 6. Portable Heater - Side View

Index No.	Part Number	RECOMMENDED FIELD REPLACEMENT PARTS Part Name	Units Per Assy
5	M10808G1	Fuel Filter	1
8	M10782	Cover	1
17	M8789G1	Burner Head Assembly	1
24	M8990	Electrode, RH	1
24	M8989	Electrode, LH	1
28	HF3-3	Hex Head Screw	3
29	M8685G1	Fuel Line	1
33	M8633-1	Access Door	1
47	M8769	Air Cleaner	1
47A	M9191	Filter Cover	1
49	M9791G1	Air Output Filter	1
50	M9716	Block (Housing)	1
51	HF4-4C	Hex Head Screw	1
52	M9942G1	Felt Filter	2
70	M3259-4	Transformer	1
84	M9952G1	Air Line	1
85	M8849	Filter Element	1

Index No.	Part Number	Part Name	Units Per Assy
1	M10780G1	Fuel Tank	1
2	M3353	Cap, Fuel Tank	1
3	M11084-13	Screw, Hex Head	2
4	I000576	Grommet	1
5	M10808G1	Fuel Filter	1
6	M10908-30	Screw, Self Tapping	1
7	M8257	Drain Plug	1
8	M10782	Cover	1
10	WP4	Washer, Flat	2
11	M10805G1	Shell Assembly, Outer	1
12	I000576	Grommet	2
13	M3530	Grommet	1
14	M5233	Nut, Tinnerman	2
15	M10828G1	Combustion Chamber	1
17	M8789G1	Burner Head Assembly	1
18	M9844	Body, Burner	1
19	M8667	Nozzle	1
20	M9181	Elbow, 90°	1
21	M8994	Plug, Pipe	1
22	M8882	Sleeve	1
23	M8958	Nut, Gland	1
24	M8989	Electrode, Left Hand	1
24	M8990	Electrode, Right Hand	1
25	M9788	Bushing	2
26	69249	Connector	1
27	R0P12-8	Pin, Roll	2
28	HF3-3	Screw, Hex Head	3
29	M8685G1	Fuel Line Assembly (Filter to Burner)	1
30	M8628	Cowl	2
31	M10908-14	Screw	1
32	WLI-2	Lock Washer	2
33	M8633-1	Door, Access	1
34	M10908-27	Screw, Round Head	2
35	WLI-2	Lock Washer	2
36	M8641	Motor Package Assembly	1
37	M10815-1	Motor and Pump Assembly	1
38	M9916	Motor and Pump Body Assembly	1
39	M9981	Pump Parts Package	1
40	M8644	Rotor	1
42	M8646	Cover, End	1
43	M8643	Blades, Carbon	4
44	M8877	Pin, Rotor	1
45	FHPF-3-12	Screw, Fillister Head	4
46	M3962	Washer, Lock	6
47	M8769	Cleaner, Air	1
47A	M9191	Filter Cover	1
48	M10257	Gasket	1
49	M9791G1	Filter, Output	1
50	M9716	Block	1
50A	M10261	Filter	1
51	HF4-4C	Screw, Hex Head	1
51A	M9767	Bowl	1
52	M9942G1	Filter (Felt)	1
52A	M8784	Gasket	1
53	M9769	Gasket	1
53A	M8770	Washer	1
54	FHPF-3-14	Screw, Fillister Head	2
55	M8943G1	Valve, Pressure Relief	1
57	M10837	Plug	1
58	M9132	Elbow, 90°	1
59	M8948G1	Grille Assembly	1

Index No.	Part Number	Part Name	Units Per Assy
59A	M5233	Speed Nut	4
59B	M9949	Grille	1
60	RC2-3	Screw, Round Head	4
61	WLE-2	Lock Washer	4
62	ST3-4B	Screw, Round Head	4
63	M9182G1	Ring Assembly, Grille Support	1
63A	RC3-10	Screw, Round Head	1
63B	M5233	Speed Nut	1
63C	M9948	Ring, Grille Support	1
64	M8697	Fan	1
65	M8800	Relay	1
66	M10908-14	Screw, Self Tapping	2
67	M8886	Nut, Tinnerman	2
68	M9946G1	Lead, Starting relay to line	1
69	M8208-4	Tubing, Polyform No. 8	3
70	M3259-4	Transformer	1
71	NPC-4	NPC-4	2
72	WLM-4	Washer, Lock	2
73	M10816G1	Lead Assembly, Electrode	2
74	M8949	Strain Relief	1
75	M6916	Bushing	3
76	69321-61	Connector	2
77	M10813G1	Cord, Extension	1
78	69321-10	Terminal, Ground	1
79	M10801	Leg, Front	1
80	M8704	Plug Button	2
81	M10908-32	Screw, Round Head	8
82	NLF-3	Nut, Hexagon	2
84	M9952G1	Air Line	1
85	M8849	Element, Filter	1
86	C4-8	Pin, Cotter	2
87	WP-8	Washer	2
88	M10804	Axle	1
89	M3976	Wheel	2
90	M11084-7	Screw	4
91	M10826G1	Brace Assembly	1
92	M10802	Leg, Rear	1
	M8603	Decal, Filter	1
	M8987	Decal, Fuel tank drain	1
	M10882	Plate, Operating instructions	1
	M9015	Decal, Master	1
	M10898	Name Plate	1
	N-10987	Thermostat Kit (optional equipment)	1
	M9816	Decal, Caution	1
	M9599	Kit, Hardware	1
	M10954G1	Relay (Substitute for M8800)	1

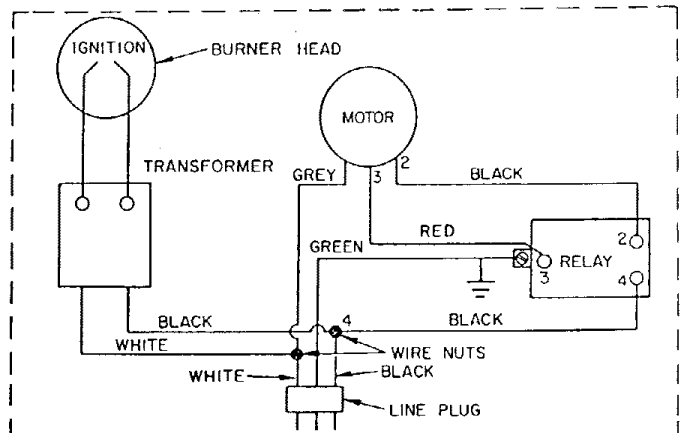


Figure 2. Wiring Diagram