

# CANADA KNIPCO LOW PRESSURE

MODEL FT10C Spec 3197602

REV 6/73

Fig. 12			
Index No.	Part Number	Part Name	Qty.
1	M13134-5D	Shell, Upper	1
	M11084-27	Screw, Hex hd., No. 10-12 x 1/2 in (AP)	6
	M11271-6	Nut, Tinnerman	6
2	M16781-5	Combustion Chamber Assy	1
3	M23150-4	Burner Head Assembly (For details see figure 13)	1
	M11084-27	Screw, Hex hd., No. 10-12 x 1/2 in. (AP)	3
4	M13961A	Bracket Photo Cell	1
	M10908-1	Screw, Hex hd., No. 6-32 x 1/4 in. (AP)	2
5	M23609	Photo Cell	1
6	M13962A	Tube, Photo Cell	1
7	M13963A	Clamp, Tube	1
8	M12461-2	Screw, Hex hd., 6-32 x 3/8 in.	2
9	NPC-1C	Nut, Plain, 6-32	2
10	M15714-2	Connector, Wire	2
11	M28149-02	Lead wire, Photo Cell	1
12	M12461-27	Screw, Hex hd., No. 10-32 x 1/2 in.	1
13	M24717	Clamp	1
14	WLM-3	Lockwasher	1
15	NPF-3C	Nut, Hex., 10-32	1
16	M15807	Strap, Retainer	1
17	M11084-27	Screw, Hex hd., No. 10-12 x 1/2 in. (AP)	2
18	M23147	Fan	1
	SF4-2-1/2K	Setscrew, Socket hd., cup pt., 1/4-28 x 5/16 in. (furnished with fan)	2
19	M23149-5	Motor Package Assembly (For details see figure 14)	1
20	NPC-4	Nut, Plain hex, 1/4-20 (AP)	2
21	WLM-4	Lockwasher, 1/4 in. (AP)	2
22	HC4-10C	Screw, Hex hd., 1/4-20 x 1-1/4 in. (AP)	2
23	M16661	Clamp, Motor (AP)	4
24	M26046	Cap	1
25	M16879	Air Line	1
26	M16646	Bracket, Motor Support	1
	M11084-27	Screw, Hex hd., No. 10-12 x 1/2 in. (AP)	4
27	1000576	Grommet	2
28	1000577	Grommet	1
29	M11084-27	Screw, Hex hd., 10-12 x 1/2 in. (Relay bracket)	1
30	M11271-6	Nut, Tinnerman	1
31	M25919	Insulator, Terminal	3
32	M25920	Insulator, Terminal	2
33	M16841-18	Wire Assembly, Relay	1
34	M16841-17	Wire Assembly, Capacitor	1
35	M11084-39	Screw, Hex hd., No. 8-15 x 1/2 in.	1
36	M12651-1	Clamp Capacitor	1
37	M12650-10	Capacitor	1
38	M12462-9	Relay, Motor Start	1
39	RC2-2C	Screw, Rd. hd., 8-32 x 1/4 in. (AP)	2
40	M11952	Bracket, Relay	1
41	M27152B	Lower Shell	1
-	M11084-27	Screw, Hex hd., 10-12 x 3/8 in. (AP)	4

Fig. 12			
Index No.	Part Number	Part Name	Qty.
-	M11084-29	Screw, Hex hd., 10-12 x 3/4 in. (AP)	4
42	M23284	Cap, Filler	1
43	M18053	Screen, Filler Neck	1
44	M10990-3	Bushing	1
45	M10861-41	Lead Assembly, Transformer	1
46	M25922	Transformer Assy	1
47	M11084-27	Screw, Hex hd., 10-12 x 1/2 in. (AP)	2
48	M13830A	Handle, Rear	1
49	M12345-34	Screw, Oval hd., 10-24 x 2 in. (AP)	4
50	NTC-3C	Nut, Torque Lock No. 10-24 (AP)	4
51	M27417	Drain Plug Assembly	1
52	M16801A	Axle	1
53	M12342A	Frame, Wheel Support	1
54	M12345-34	Screw, Oval hd., 10-24 x 2 in. (AP)	4
55	NTC-3C	Nut, Torque lock, 10-24 (AP)	4
56	WP-8C	Washer, Flat, 1/2 in.	4
57	M19296	Wheel	2
58	M16741-15	Ring, Retaining	2
59	M10813-41	Extension Cord Assembly	1
60	M6082	Connector, Straight	1
61	50460	Locknut	1
62	RC3-4C	Screw, Rd. hd., No. 10-24 x 1/2 in. (Ground wire)	1
63	NTC-3C	Nut, Lock No. 10-24 (Ground wire)	1
64	M22082	Control Assembly, Safety	1
65	RF3-4C	Screw, Rd hd., No. 10-32 x 1/2 in. (AP)	2
66	M25916	Circuit Breaker	1
67	M16841-19	Wire Assy, Circuit breaker	1
68	M25920	Insulator, Terminal	2
69	M15714-2	Connector, Wire	3
70	M27327-1B	Control Box Mounting Assembly	1
71	M11084-26	Screw, Hex hd., No. 10-12 x 3/8 in. (AP)	3
72	M25907	Bushing, Snap	1
73	M23611	Bushing, Snap	1
74	M27552-02A	Fuel Tank Assembly	1
75	M27366A	Guard, Nose	1
76	M12345-34	Screw, Oval, 10-24 x 2 in. (AP)	4
77	NTC-3C	Nut, Torque Lock No. 10-24 (AP)	4
78	M27358A	Handle, Front	1
79	M3570	Clip, Nylon	2
80	M11084-39	Screw, Hex hd., 8-15 x 1/2 in. (AP)	2
	M29936	Decal, Tradename	1
	M17081	Decal, Atomaster	1
	M24809	Decal, Mfg. by	1
	M25958	Decal, Guard	1
	M25953	Decal, CAUTION	1
	M27713	Decal, N. P.	1
	M25860	Decal, Wiring	1
	M25952	Decal, Operation Instructions	1
	M25572	Decal, Reset	1
	M4119	Label, CSA	1
	57305	Rivet	2
		TOUCH-UP PAINT	
	M23353-6	Paint, Yellow, Aerosol Can	
	M23353-10	Paint, Black, Aerosol Can	
	M23353-5	Paint, Green, Aerosol Can	

CANADA KNIPCO LOW PRESSURE  
MODEL FIIOC SPEC 3197602 REV 6/73

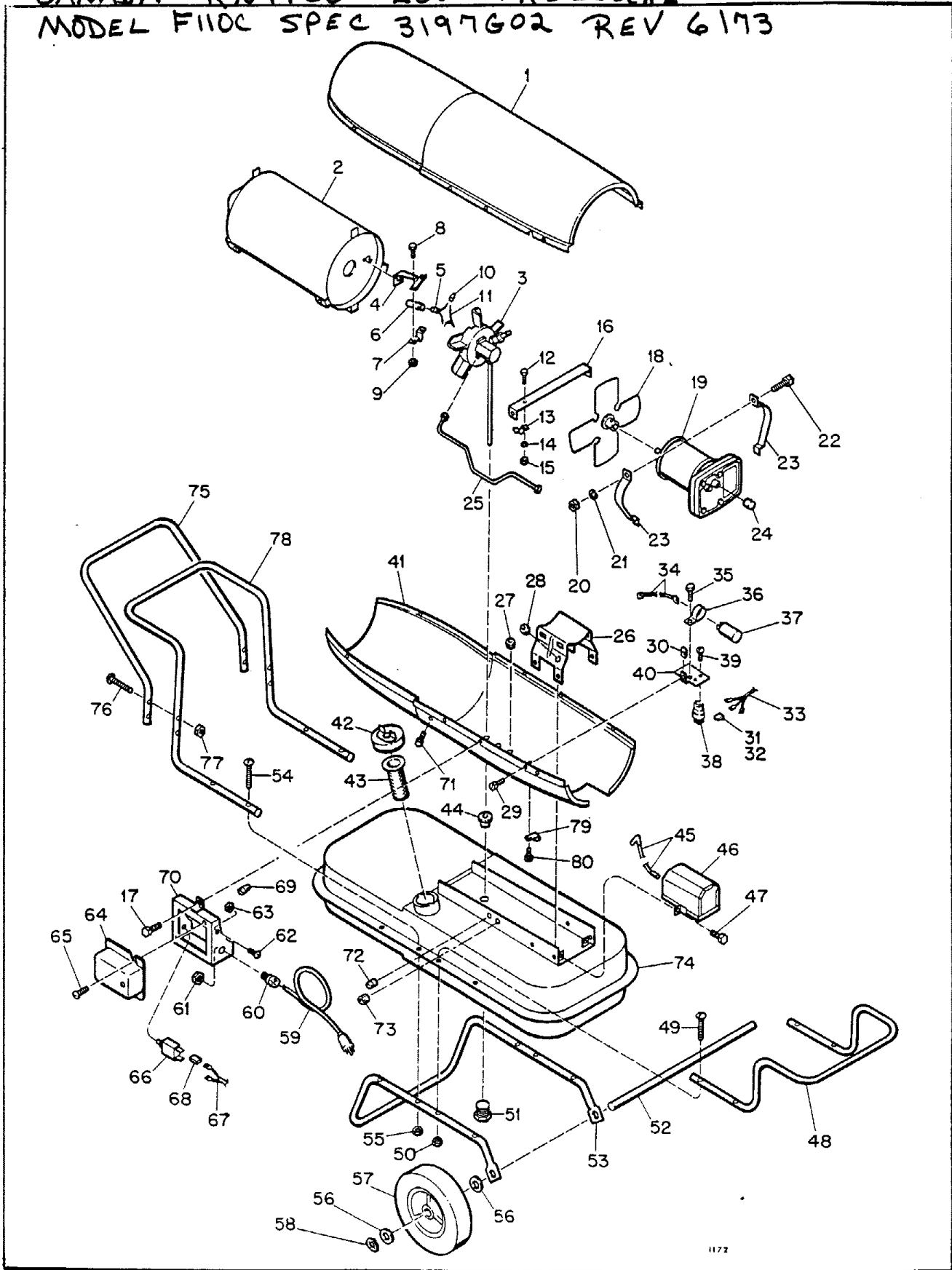


Figure 12. Heater Assembly, Exploded View

CANADA KNIPCO LOW PRESSURE  
MODEL F110C SPEC 3197602

Rev 6/73

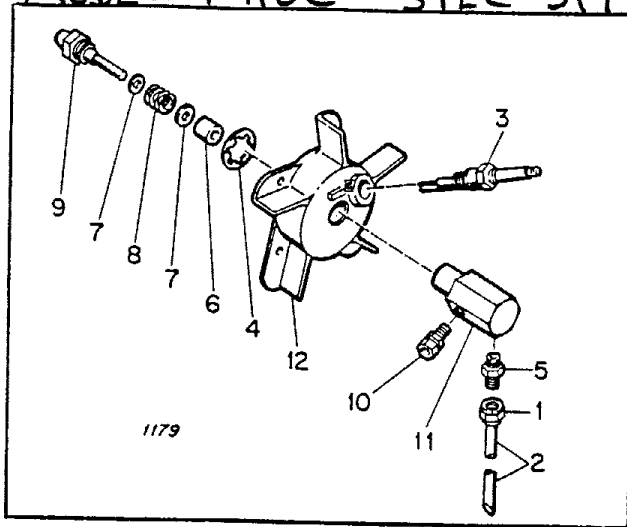


Figure 13. Burner Head Assembly

Fig. 13

Index No.	Part Number	Part Name	Qty.
	M23150-4	Burner Head Assembly	Ref
1	M13849	. Nut, Flared	1
2	M16789-6	. Fuel Filter Assembly	1
3	M13031-2	. Spark Plug	1
4	M16741-18	. Ring, Retaining	1
	M23151-3	. Nozzle Adapter Assy	1
5	M5976	. . Connector, Male	1
6	M8882	. . Sleeve, Nozzle Seal	1
7	M10659-1	. . Washer, Nozzle Seal	2
8	M10809-1	. . Spring, Nozzle Seal	1
9	M23103	. . Nozzle, Aspirating	1
10	M16791	. . Connector, Male	1
11	M16535-2	. . Adapter, Nozzle	1
12	M16534	. Body, Burner Head	1

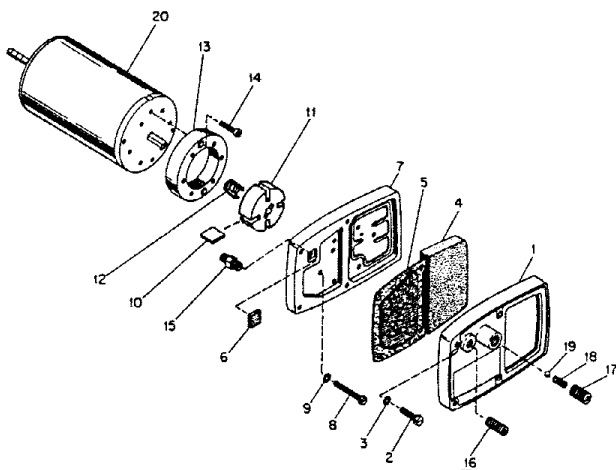
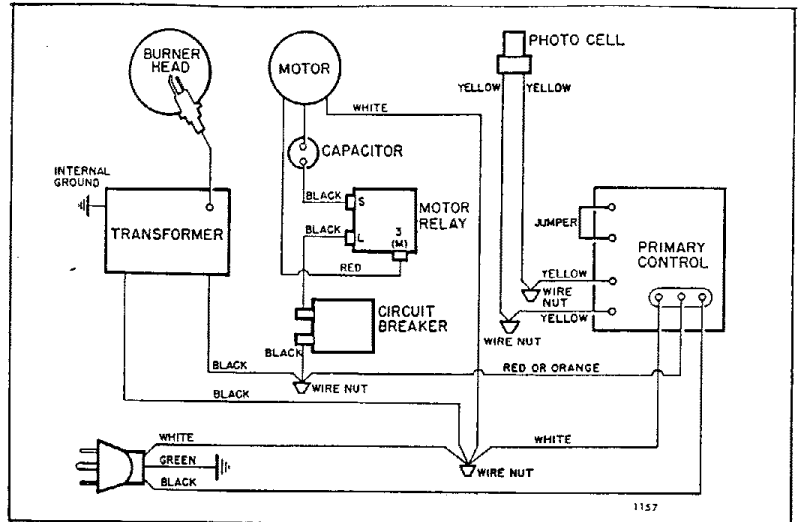


Figure 14. Motor Package Assembly

Fig. 14

Index No.	Part Number	Part Name	Qty.
	M23149-5	Motor Package Assembly	1
1	M16545	. End Cover, Filter	1
2	*M12461-31	. Screw, Hex hd., No. 10-32 x 1 (AP)	4
3	*WLI-3	. Lockwasher, Internal No. 10 (AP)	4
4	M12179	. Intake Air Filter	1
5	M12244-1	. Output Filter Assy	1
6	M11637	. Filter, Lint	1
7	M12233	. Front Cover, Pump (Port Plate)	1
8	*M12461-32	. Screw, Hex hd., No. 10-32 x 1-1/8 (AP)	6
9	WLI-3	. Lockwasher, Internal No. 10 (AP)	6



Wiring Diagram

Fig. 14

Index No.	Part Number	Part Name	Qty.
10	M8643	. Blade, Pump	4
11	M22456-1	. Rotor, Pump	1
12	M22009	. Insert, Rotor	1
13	M8645	. Pump Body	1
14	*FHFP3-4C	. Screw (Pump Body to Motor)	2
15	M5976	. Connector, Male	1
16	M22997	. Plug	1
17	M23105	. Screw, Pressure Adjustment	1
18	M10993-1	. Spring, Compression (Pressure Relief)	1
19	M8940	. Ball, 1/4 in. dia.	1
20	M23107-4	. Motor	1
	M16886-1	Kit, Pump and Filter	1

AP Indicates attaching parts.

\* Standard hardware, purchase locally.