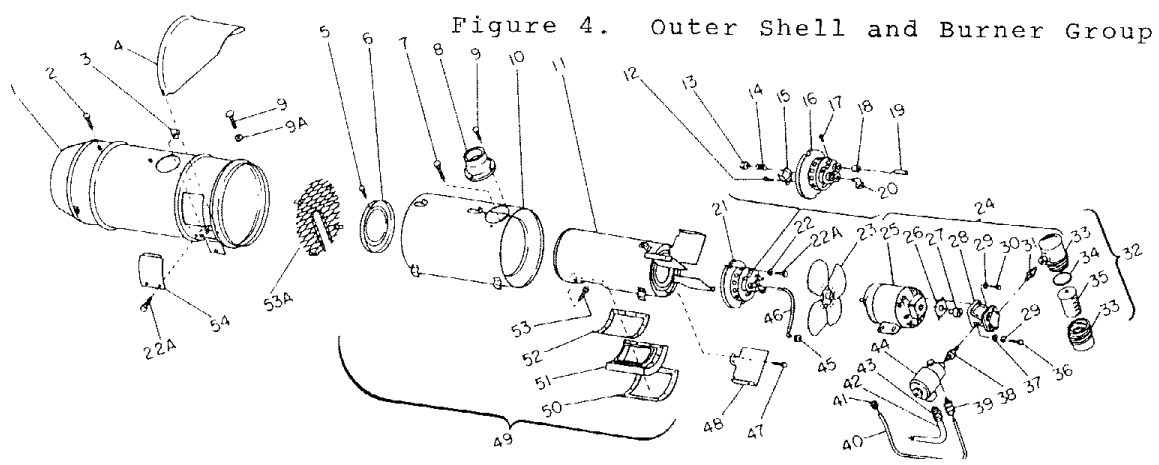


INTERNATIONAL VENTED HEATER MODEL FV-200  
Z0009-00

Figure & Index No.	Part Number	Part Name	Units Per Assy
4-1	M10857G1	Outer Shell Assembly	1
-2	M10908-29	Screw, Hex Head, 10-32 x 3/4	2
-3	M11271	Nut, Tinnerman	6
-4	M10871	Cowl	1
-5	M10908-26	Screw, Hex Head, 10-32 x 3/8	3
-6	M10866	Combustion Chamber Front Head	1
-7	M10908-31	Screw, Hex Head, 10-32 x 1	1
-8	M10851	Exhaust Casting	1
-9	M10908-27	Screw, Hex Head 10-32 x 1/2	15
-9A	WLI-3	Lock Washer	2
-10	M10854G1	Heat Exchanger Assembly	1
-11	M10912G1	Combustion Chamber Assembly	1
-12	RC1-2	Screw, Round Head, 6-32 x 1/4	2
-13	M3107	Nozzle	1
-14	M4274	Nozzle Spring	1
-15	M3978	Air Deflector	1
-16	M3853G2	Burner Body and Bushing Assembly	1
-17	8F-3-3	Screw, Round Head, 10-32 x 3/8	2
-18	M9788	Electrode Bushing	2
-19	M3981	Electrode	2
-20	M2294	Fitting, Compression	1
-21	M9107G3	Burner Head Assembly	1
-22	WP-2	Flat Washer	2
-22A	M10908-16	Screw, Hex Head 8-32 x 5/8	10
-23	M11230-1	Fan	1
-24	M11251G1	Motor Package Assembly	1
-25	M3342	Motor Assembly	1
-26	M3547	Gasket	1
-27	M3473	Coupling	1
-28	M11138-7	Pump	1
-29	WLI-15	Lock Washer	4
-30	HC5-6	Screw, Hex Head 5/16-18 x 3/4	2
-31	M10953	Nipple	1
-32	M3973	Filter Assembly	1
-33	M4307	Filter Can (Replacement)	1
-34	M3301-2	Filter Gasket (Replacement)	1
-35	M3301	Filter Element (Replacement)	1
-36	HC5-7	Screw, Hex Head	2
-37	WP-5	Flat Washer	2
-38	M3297	Nipple	1
-39	1000513	Fitting	1
-40	M11248	Fuel Line	1
-41	M3530	Grommet, 7/8	1
-42	M3486-3	Sleeving, Solenoid to Box	1
-43	1001349	Connector	1
-44	M3974-1	Solenoid Valve	1
-45	1000576	Grommet, 1/2	1
-46	M10816G9	Electrode Lead Assembly	2
-47	M10908-1	Screw, Hex Head, 6-32 x 1/4	2
-48	M11239	Deflector, Fin	1
-49	M11253G1	Combustion Chamber and Heat Exchanger Assembly	1
-50	M10855	Outer Gasket	1
-51	M10742	Cross Over	1
-52	M10856	Inner Gasket	1
-53	M10908-33	Screw, Hex Head, 10-32 x 1-1/4	12
-53A	M11268	Guard Screen Assembly	1
-	NFL-3	Nut, Flexloc	4
-54	M8988G3	Access Door Assembly	1



INTERNATIONAL VENTED HEATED MODEL FV-200

Z0009-00

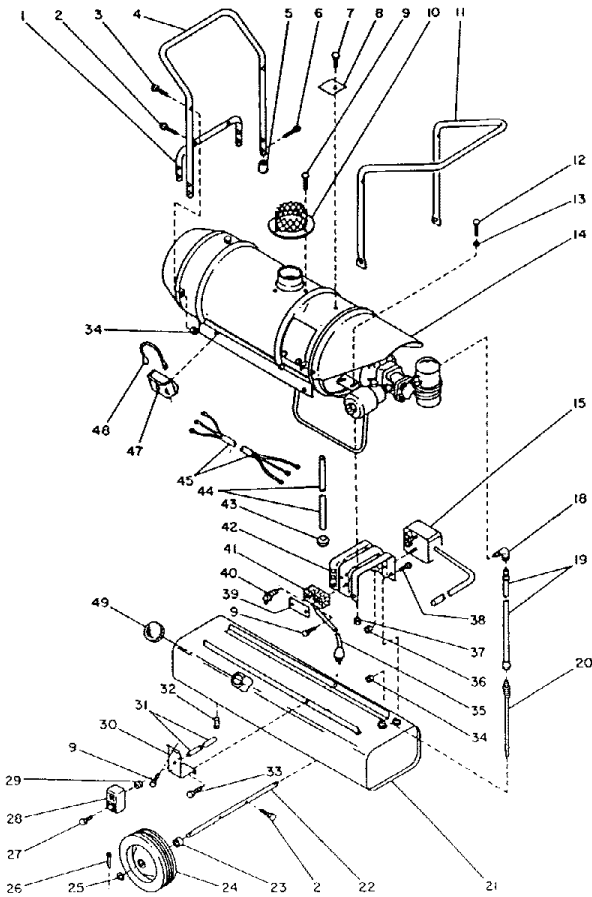


Figure 3. Heater Exploded View

Figure & Index No.	Part Number	Part Name	Units Per Assy
3-1	M10935G1	Front Leg Brace Assembly	1
-2	M11084-7	Screw, Hex Head, 12-11 x 1	4
-3	HC4-10	Screw, Hex Head, 1/4-20 x 1/2	4
-4	M10874	Front Leg	1
-5	M3304-2	Rubber Tip	2
-6	M10908-33	Screw, Hex Head, 10-32 x 1-1/4	4
-7	M10908-1	Screw, Hex Head, 6-32 x 1/4	6
-8	M11312	Tech Data and Name plate	1
-9	M10908-27	Screw, Hex Head, 10-32 x 1/2	6
-10	M11242G1	Stack Guard Assembly	1
-11	M10875	Rear Leg	1
-12	HF-5-7	Screw, Hex Head, 5/16-24 x 7/8	4
-13	WP-5	Flat Washer	5
-14	No Number	Outer Shell and Burner Group (See figure 4)	-
-15	M3259	Transformer	1
-18	57413	Street Elbow	1
-19	M3334G3	Fuel Line Assembly	2
-20	M10923	Intake and Return Tube Assembly	2
-21	M10844G1	Fuel Tank Assembly	1
-22	M10910	Axle	1
-23	M10911	Spacer	2
-24	M10909	Wheel	2
-25	WP-10	Flat Washer	2
-26	C5-10	Cotter Pin	2
-27	M10908-1	Screw, Hex Head, 6-32 x 1/4	6
-28	M4037-2	Thermostat	1
-29	1000576	Grommet, 1/2	3
-30	M11238	Thermostat Bracket	1
-31	M5845G18	Thermostat to Box Cable Assembly	1
-32	M8257	Pipe Plug	1
-33	M11084-16	Screw, Hex Head, 14-10 x 3/8	6
-	WLE4	Lock Washer	6
-34	NLC-4	Nut, Flexloc	8
-35	M10813G5	Extension Cord Assembly	1
-36	NPC-4	Nut, Hex, 1/4-20	2
-37	NLF-5	Nut, Flexloc, 5/16-24	4
-38	HC4-4	Screw, Hex Head, 1/4-20	4
-39	M5837	Utility Box Cover	1
-40	324067	Closed End Connector	3
-41	M3307	Utility Box	1
-42	M11450G1	Motor Mounting Bracket Assembly	1
-43	M3530	Grommet	5
-44	M5845G15	Motor to Box Cable Assembly	1
-45	M5655G6	Fan and Limit Control to Box Cable Assembly	1
-47	M11231	Fan and Limit Control	1
-48	M9900G16	Jumper Wire Assembly	2
	M4950	Decal "Caution"	1
	M11244	Decal, Knipco	1

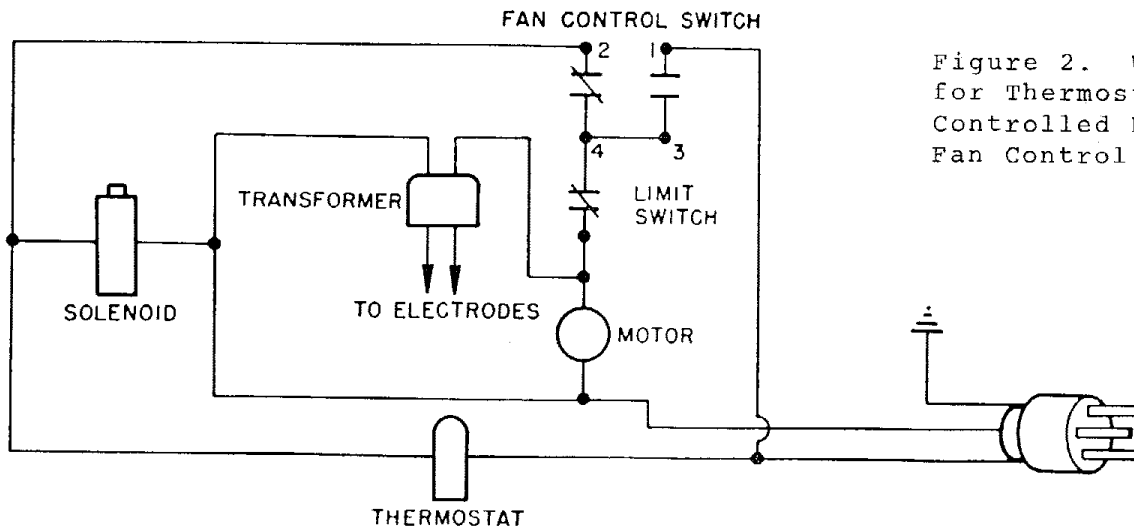


Figure 2. Wiring Diagram for Thermostatically Controlled Heater with Fan Control Unit.