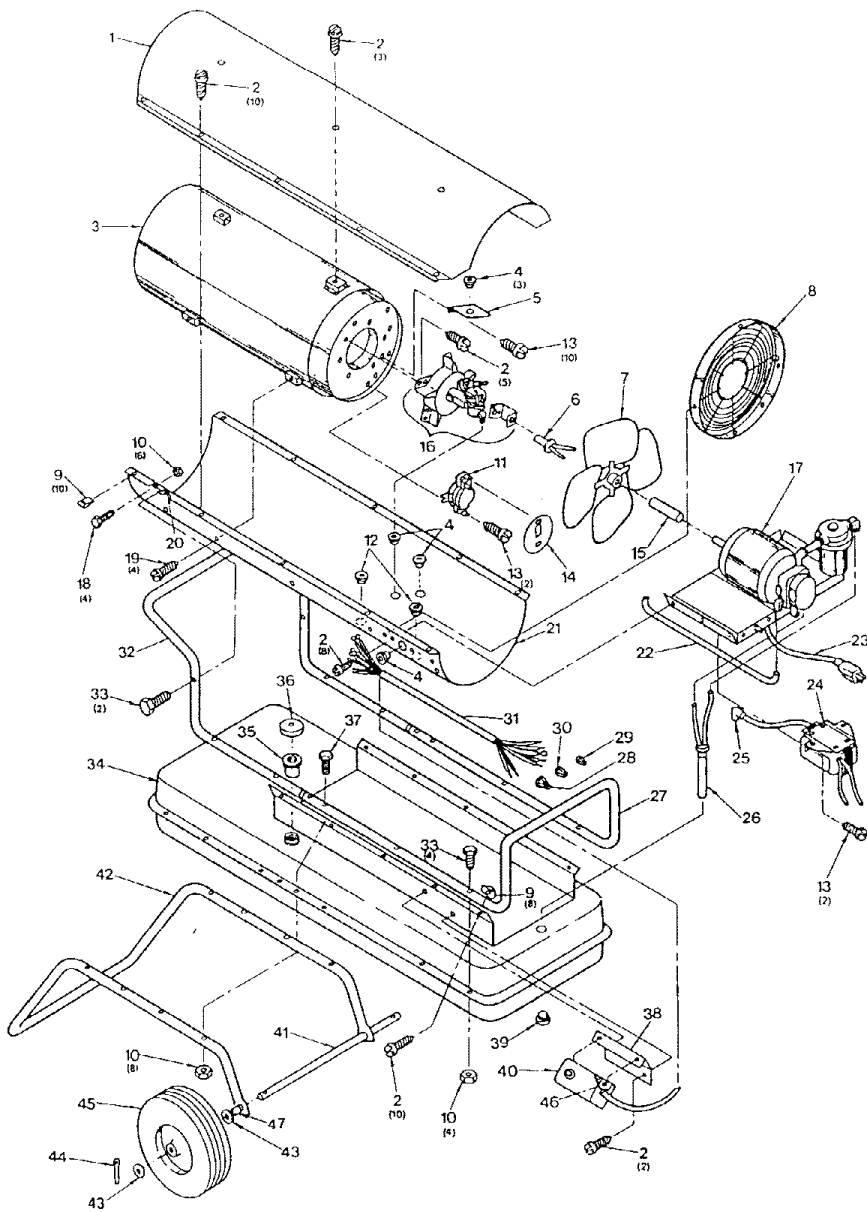


Reddy R600 High Pressure

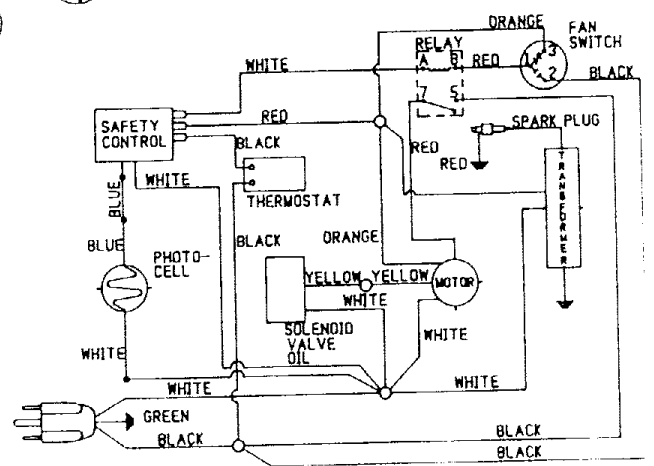
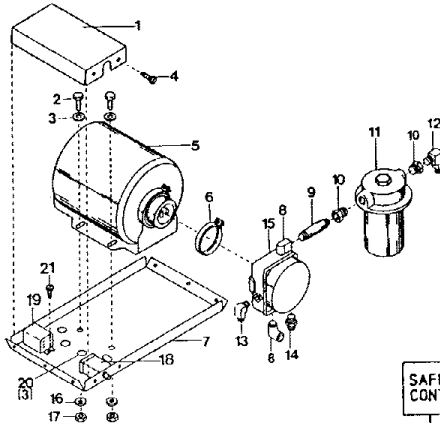


NO.	PART NO.	DESCRIPTION	QT
1	M50167AC	Upper shell	1
2	M11084-27	Screw, #10-16 x 1/2"	38
3	M50543-01	Combustion chamber & shield	1
4	M30865-02	Bushing	6
5	M50157	Air deflector	5
6	M16656-4	Photocell assembly	1
7	M50194	Fan	1
8	M50186-01AA	Fan Guard	1
9	M11271-6	Clip nut	18
10	NTC-4C	Hex nut, 1/4-20	18
11	M51336-02	Fan switch	1
12	M50104-02	Bushing	2
13	M11084-26	Screw, #10-6 x 3/8"	14
14	M51160-01	Fan switch cover	1
15	M50278	Sleeve	1
16	†	Burner head assembly (see page 9 for details)	1
17	†	Motor & pump assembly (see page 9)	1
18	HC4-3C	Screw, 1/4-20 x 3/8"	4
19	M11084-3	Screw, #12 x 1/2"	4
20	M50388AB	Support bracket	2
21	M50168AC	Lower shell	1
22	M50119-01	Fuel line	1
23	M10813-33	Power cord	1
24	M50570-02	Transformer, 5000 volt	1
25	M50050	Ignition boot	1
26	M50115-02	Fuel line assembly	1
27	M28872-01	Rear handle	1
28	*	Wire connector (large)	1
29	*	Wire connector (small)	2
30	*	Wire connector (medium)	4
31	097494-02	Wire harness	1
32	M50224	Front handle	1
33	M51043-01	Screw, #1/4-20 x 1 1/2"	6
34	079666-22	Fuel tank	1
35	M18053	Filler neck screen	1
36	097702-01	Fuel cap	1
37	HC4-22C	Screw, #1/4-20 x 2 3/4"	8
38	M25121B	Thermostat bracket	1
39	M27417	Drain plug	1
40	097513-02	Thermostat	1
41	M18774	Axle	1
42	M28140-02	Wheel support frame	1
43	WP-10C	Flatwasher, 5/8	4
44	C5-10C	Cotter Pin, 5/32 x 1 1/4"	2
45	M50389	Wheel	2
46	RC1-3C	Screw, #6-32 x 3/8"	2
	WLI-1C	Internal lockwasher #6	2
	NPC-1C	Nut, 6-32	2
47	M50296	Spacer, Wheel	2

Reddy R600 High Pressure

Motor and Pump Assembly

REF. NO.	PART NO.	DESCRIPTION	QTY.
1	097495-01AA	Wiring cover	1
2	HF5-5C	Screw, 5/16-24 x 5/16"	4
3	WLE-5	External lockwasher, 5/16	4
4	M11084-26	Screw, #10-16 x 3/8	3
5	097508-01	Motor (Model R350)	1
	097531-01	Motor (Model R600)	1
6	M50116	Flange Clamp (holds pump to motor)	1
7	097506-01AA	Motor support (Model R350)	1
	097505-01AA	Motor support (Model R600)	1
8	57413	Street elbow	2
9	M17499-2	Pipe nipple	1
10	M20137	Pipe bushing	2
11	M50398	Fuel filter assembly	1
	M51102-01	Filter element (inside fuel filter assembly)	1
12	M50114-02	90° Male elbow	1
13	M50297	Compression elbow	1
14	M50113-02	Straight fitting	1
15	M50065	Fuel pump	1
16	WLM-5	Lockwasher, 5/16	4
17	NPF-5C	Hex nut, 5/16-24	4
18	M50671-01	Safety control	1
19	097491-01	Power relay	1
20	M50104-02	Shorty bushing	3
21	M10908-2	Screw, #6-32 x 3/8"	2



Burner Head Assembly

REF. NO.	PART NO.	DESCRIPTION	QTY.
1	M10908-02	Hex head screw, #6-32 x 3/8"	2
2	M50340-02	Photocell bracket	1
3	M10962-2	Spark plug	1
4	M50112	Nozzle (Model R350)	1
	M30765	Nozzle (Model R600)	1
5	M51170-01	Plug	1
6	M50924-02	Burner head body	1
7	69246	Straight nipple	1
8	M50390-01	Solenoid valve	1
9	M50297	Compression elbow	1

