

Index Part No. Number	Part Name or Description	Qty.
M17875-8	Motor Package Assembly	1
M16675-2	Pump and Filter Parts Package	1
1 M16545	End Cover, Filter	1
2 M12461-31	Screw (Filter End Cover to Pump End Cover)	4
3 WLI-3	Lockwasher, Internal No. 10	4
4 M12179	Intake Air Filter	1
5 M12244-1	Output Filter Assy.	1
6 M11637	Filter, Lint	1
7 M50545	End Cover, Pump (Port Plate)	1
8 M12461-34	Screw (End Cover to Motor)	6

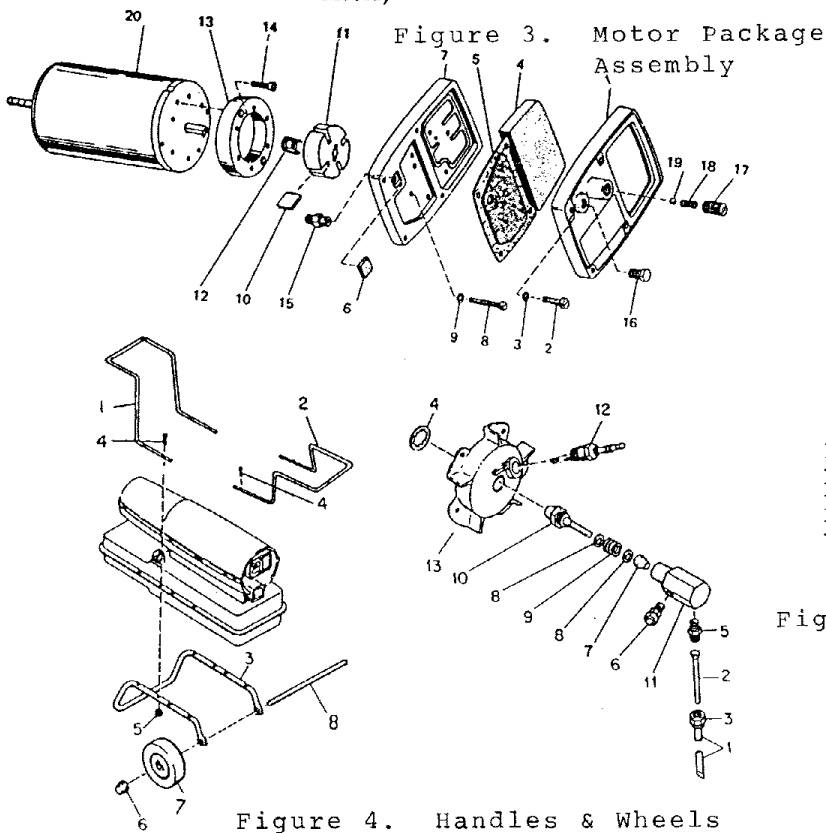


Figure 3. Motor Package Assembly

Index Part No. Number	Part Name or Description	Qty.
1 M14244-3	Handle, Front	1
2 M14243-3	Handle, Rear	1
3 M12831-3	Frame, Wheel Support	1
4 M12345-33*	Screw, Oval hd., 10-24x 1-3/4 in.	8
5 NTC-3C*	Nut, Torque, Lock No. 10-24	8
6 M28526	Nut, Cap	2
7 M19294	Wheel	2
8 M16801-2A	Axle	1

Index Part No. Number	Part Name or Description	Qty.
9 WLI-3	Lockwasher, Internal No. 10	6
10 M8643-3	Blade	4
11 M22456-3	Rotor	1
12 M22009	Insert	1
13 M8645-3	Pump Body	1
14 FHPF3-7C	Screw (Pump Body to Motor)	2
15 M5976	Connector, Male	1
16 M22997	Plug	1
17 M27694	Screw, Pressure Adjustment	1
18 M10993-1	Spring, Compression (Pressure Relief)	1
19 M8940	Ball, 1/4 in. dia.	1
20 M50450-01	Motor	1

Figure 2. Burner Head Assembly

Index Part No. Number	Part Name or Description	Qty.
M16803-4	Burner Head Assembly	Ref.
1 M16790-12	Filter Tube	1
2 M19630	Filter, Fuel	1
3 M13849	Nut, Flare	1
4 M16741-18	Ring, Retaining	1
M16787-3	Nozzle Adapter Assy.	1
5 M16791	Connector, Male	1
6 M5976	Connector, Male	1
7 M8882	Sleeve, Nozzle Seal	1
8 M10659-1	Washer, Nozzle Seal	2
9 M10809-1	Spring, Nozzle Seal	1
10 M18022	Nozzle, Aspirating, 1.0 gph	1
11 M16535	Adapter, Nozzle	1
12 M10962-2	Spark Plug	1
13 M23090	Body, Burner	1

Figure 2. Burner Head Assembly

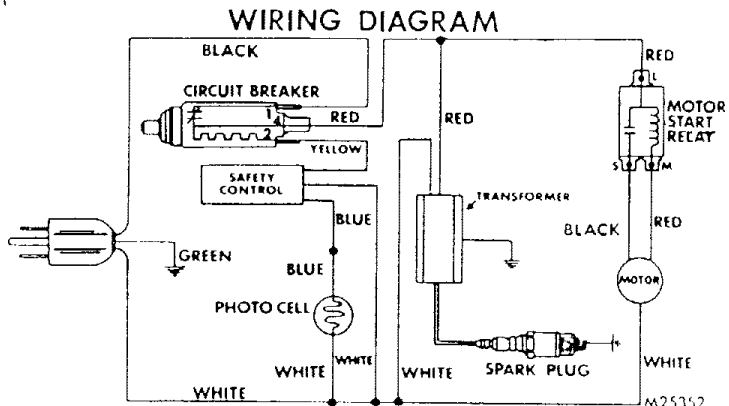
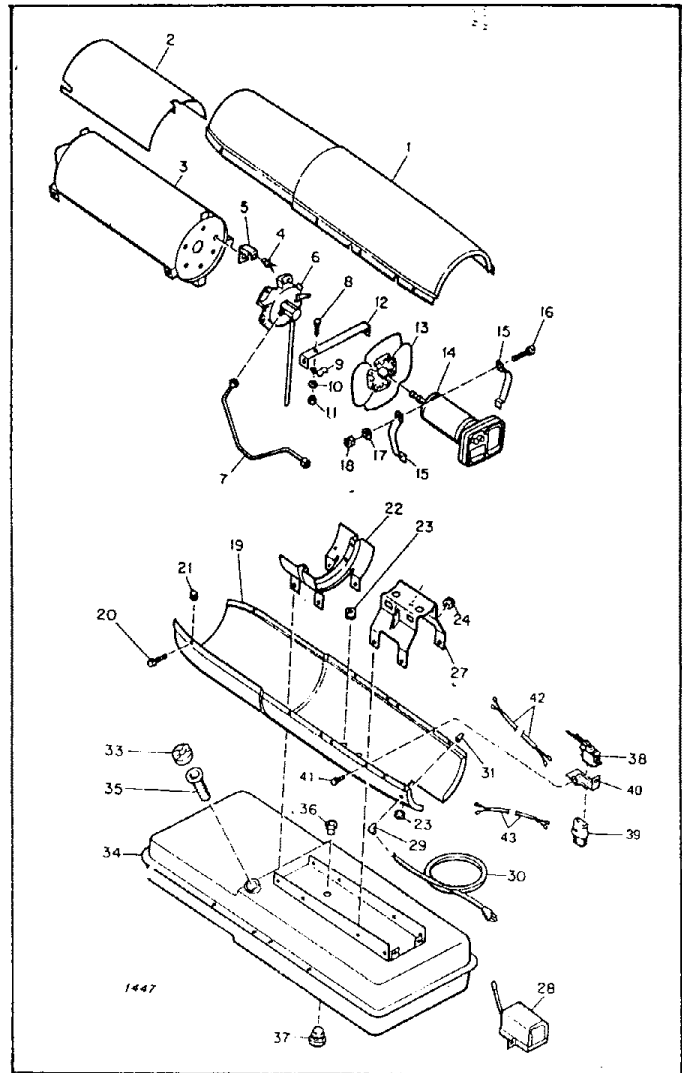


Figure 5. Wiring Diagram

Index No.	Part No. Number	Part Name or Description	Qty.
1	M170151B	Shell Assy, Upper	1
2	M16679	Deflector, Heat	1
3	M16887-6	Combustion Chamber	1
	M11084-27	Screw (Combustion Chamber attaching, front)	4
4	M16656-4	Cell and Bushing Assy	1
5	M16660	Bracket, Photo Cell	1
	M10908-1	Screw	2
6	M16803-4	Burner Head Assy	1
	M11084-27	Screw (Burner Head to Combustion Chamber)	3
7	M50387-02	Air Line	1
8	M12461-27	Screw (Air line retaining)	1
9	M24717	Clamp (Air line)	1
10	Wlm-3	Lockwasher No. 10	1
11	NPF-3C	Nut, Plain No. 10-32	1
12	M16871	Strap, Retainer	1
	M11084-27	Screw (Retainer Strap to Lower Shell)	2
13	M17058	Fan, 16 Pitch	1
	SF4-2-1/2K	Setscrew, Soc. hd., cup pt., 1/4-28 (Fan to Motor Shaft)	2
14	M17875-8	Motor Package Assy.	1
15	M16661	Clamp, Motor	4
16	HC4-10C	Screw (Motor Clamps)	2
17	WLM-4	Lockwasher, 1/4 in. (Motor Clamps)	2
18	NPC-4C	Nut, Hex, 1/4-20 (Motor Clamps)	2
19	M16810B	Shell, Lower	1
20	M11084-27	Screw (Upper Shell to Lower Shell)	8
21	M11271-6	Nut, Tinnerman (Upper Shell to Lower Shell)	8
22	M12828	Bracket, Shell Support	1
	M11084-27	Screw (Support Bracket to Lower shell and Fuel Tank)	4
23	1000576	Grommet (Cables and Leads thru Lower Shell)	2
24	1000577	Grommet (Leads to Motor and Capacitor)	2
27	M16645	Bracket, Motor Support	1
	M11084-27	Screw (Motor Support Bracket to Lower Shell and Fuel Tank)	4
	M15823-26	Screw (Service Cord grounding to Motor Support Bracket)	1
28	M16697-02	Transformer, 5000-Volt	1
	M11084-27	Screw (Transformer to Motor Support Bracket)	2
29	M11143-1	Bushing, Strain Relief (Service Cord to Lower Shell)	1
30	M10813-77	Service (Extension) Cord	1
31	M13942-7	Connector (Wire Nut)	3
	M13942-5	Connector (Wire Nut)	2



HEATER GENERAL ASSEMBLY, EXPLODED VIEW

32	M9900-77	Wire Assy, (to capacitor)	1
33	M23284	Cap, Fuel Tank	1
34	M50323	Screen, Filler Neck	1
35	M27547-01AK	Fuel Tank	1
36	M10990-3	Bushing, Rubber (Fuel Filter into Fuel Tank)	1
37	M27417	Plug, Drain	1
38	M28898-03	Safety Control Assembly	1
39	M12462-6	Relay, Starting	1
	RC2-2C	Screw (Relay to Relay Bracket)	2
	WLM-3	Lockwasher	1
40	M25296-1	Bracket, Safety Control	1
41	M11084-27	Screw	1
42	M16615-1	Wiring Harness Assembly	1
43	M16841-40	Wire Assembly, Safety Control	2