

KNIPCO PORTABLE HEATER MODEL F-85C  
(November, 1962)

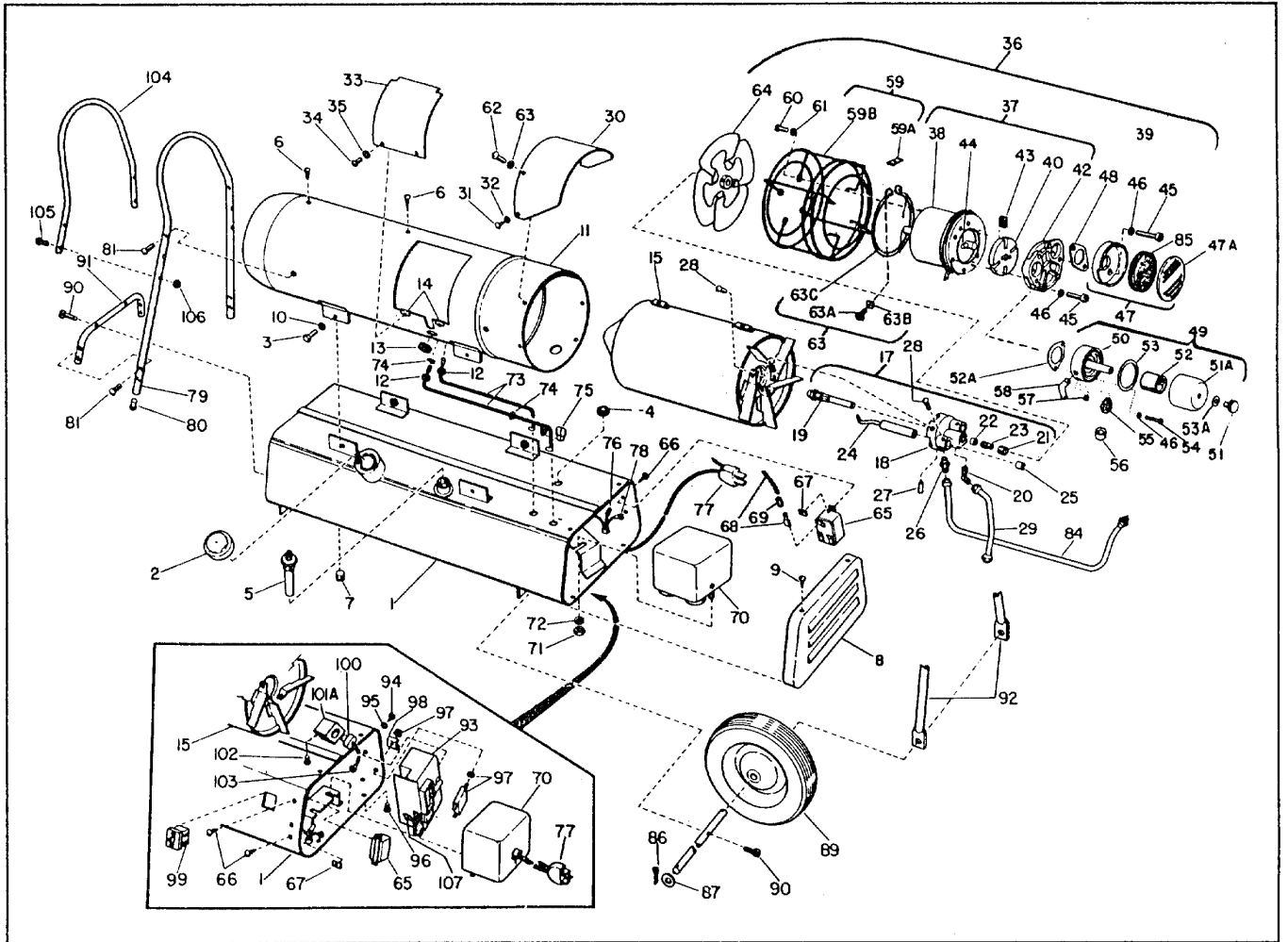


Figure 4. Portable Heater - Exploded View

KNIPCO PORTABLE HEATER MODEL F-85C

(November, 1962)

Figure & Index No.	Part Number	Part Name	Quantity
4-1	M9228	Fuel Tank	1
4-2	M3353	Cap, Fuel Tank	1
4-3	ST 14-4	Screw, Rd Head	4
4-4	1000576	Grommet	5
4-5	M8796	Fuel Filter	1
4-6	STP 3-4	Screw, Self Tapping	2
4-7	M8890	Drain Plug	1
4-8	M8635	Cover	1
4-9	ST-2-3B	Screw, Self Tapping	4
4-10	WP4	Washer, Flat	4
4-11	M9229	Shell, Outer	1
4-12	1000576	Grommet	2
4-13	M3530	Grommet	1
4-14	M9127	Nut, Tinnerman	2
4-15	M9241	Combustion Chamber	1
4-17	M8789	Burner Assembly	1
4-18	M9844	Body, Burner	1
4-19	M8667	Nozzle	1
4-20	69251	Elbow, 90°	1
4-21	M8994	Plug, Pipe	1
4-22	M8882	Sleeve	1
4-23	M8958	Nut, Gland	1
4-24	M8989	Electrode, Left Hand	1
4-24	M8990	Electrode, Right Hand	1
4-25	M9788	Bushing	2
4-26	69249	Connector	1
4-27	ROP12-8	Pin, Roll	2
4-28	RF3-3C	Screw, Round Head	3
4-29	M8685	Fuel Line Assembly (Filter to Burner)	1
4-30	M8628	Cowl	1
4-31	ST2-3B	Screw	2
4-32	WLI-2	Lock Washer	2
4-33	M8633	Door, Access	1
4-34	ST-2-4	Screw, Round Head	2
4-35	WLI-2	Lock Washer	2
4-36	M9237	Motor, Grille, Fan, Pump and Filter Assembly	1
4-37	M9157	Motor and Pump Assembly	1
4-38	M9915	Motor and Pump Body Assembly	1
4-39	M9981	Pump Parts Package	1
4-40	M8644	Rotor	1
4-42	M8646	Cover, End	1
4-43	M8643	Blades, Carbon	4
4-44	M8877	Pin, Rotor	1
4-45	FHPF-3-12	Screw, Fillister Head	4
4-46	M3962	Lock Washer	6
4-47	M8769	Air Cleaner	1
4-47A	M9191	Filter Cover	1
4-48	M5292	Gasket	1
4-49	M9791	Filter, Output Assembly	1
4-50	M9716	Block	1
4-51A	M9767	Bowl	1
4-51	M9768	Thumb Screw	1
4-52	M9766	Filter (Felt)	2
4-52A	M8784	Gasket	1
4-53	M9769	Gasket	1
4-53A	M9770	Washer	1
4-54	FHPF-3-14	Screw, Fillister Head	2
4-55	M8943	Valve, Pressure Relief	1
4-56	M8992	Cap, Seal	1
4-57	M9131	Plug	1
4-58	M9132	Elbow, 90°	1

## KNIPCO PORTABLE HEATER MODEL F-85C

(November, 1962)

Figure & Index No.	Part Number	Part Name	Quantity
4-59	M8948-1	Grille Assembly	1
4-59A	M5233	Speed Nut	4
4-59B	M9949	Grille	1
4-60	RC2-3	Screw, Round Head	4
4-61	WLE-2	Lock Washer	4
4-62	ST3-4B	Screw, Round Head	4
4-63	M9182	Ring Assembly, Grille Support	1
4-63A	RC3-10	Screw, Round Head	1
4-63B	M5233	Speed Nut	1
4-63C	M9948	Ring, Grille Support	1
4-64	M8697	Fan	1
4-65	M8800	Relay	1
4-66	STI-3B	Screw, Self Tapping	2
4-67	M8886	Nut, Tinnerman	2
4-68	M9946-2	Lead, Circuit breaker to line voltage relay	1
4-69	M8208-4	Tubing, Polyform No. 8	5
4-70	M3259-4	Transformer	1
4-71	NPC-4	Nut, Hexagon	2
4-72	WLM-4	Washer, Lock	2
4-73	M9239	Lead, Electrode	2
4-74	M8949	Strain Relief	2
4-75	M6916	Bushing	3
4-76	69321-61	Connector	2
4-77	M8828	Cord, Extension	1
4-78	69321-10	Terminal, Ground	1
4-79	M8921	Leg, Front	1
4-80	M8704	Plug Button	2
4-81	RF3-8C	Screw, Round head	8
4-82	NLF-3	Nut, Hexagon	2
4-84	M9952	Air Line	1
4-85	M8849	Element, Filter	1
4-86	C4-8	Pin, Cotter	2
4-87	WP-8	Washer	2
4-88	M9146	Axle	1
4-89	M3976	Wheel	2
4-90	ST 3-1/2-8	Screw	4
4-91	M8889	Brace Assembly	1
4-92	M9329	Leg, Rear	1
4-93	M9210	Relay, Line voltage	1
4-94	RC-1-2	Screw, Round head	1
4-95	WLI-1	Washer, Lock	1
4-96	ST-2-4	Screw, Round Head	1
4-97	M9232	Protector, Motor	1
4-98	M9230	Guard, Reset button	1
4-99	M3480	Switch	1
4-100	M9211	Cell, Safety Control	1
4-101	M9225	Bracket, Cell mounting	1
4-101A	M9328	Block, Cell mounting	1
-	RC1-2	Screw	2
-	WP-1	Washer	2
4-102	ST1-2B	Screw, Round head	4
4-103	69321-10S	Terminal, Cell leads	2
4-104	M9234	Guard, Nose cone	1
4-105	RF3-10C	Screw, Round head	4
4-106	NLF-3	Nut, Hexagon	4
4-107	NSC-3	Nut, Tinnerman	1
	M8603	Decal, Filter	1
	M8987	Decal, fuel tank drain	1
	M9217	Decal, Wiring diagram	1
	M4119	Label, Canadian approval	1
	M9044	Thermostat Kit (optional equipment)	1
	M9213	Plate, Operating instructions	1
	M5845-7	Cable Assembly (Switch to Control)	1
	M5052-38	Lead (Relay to Circuit Breaker)	1

KNIPCO PORTABLE HEATER MODEL F-85C  
(November, 1962)

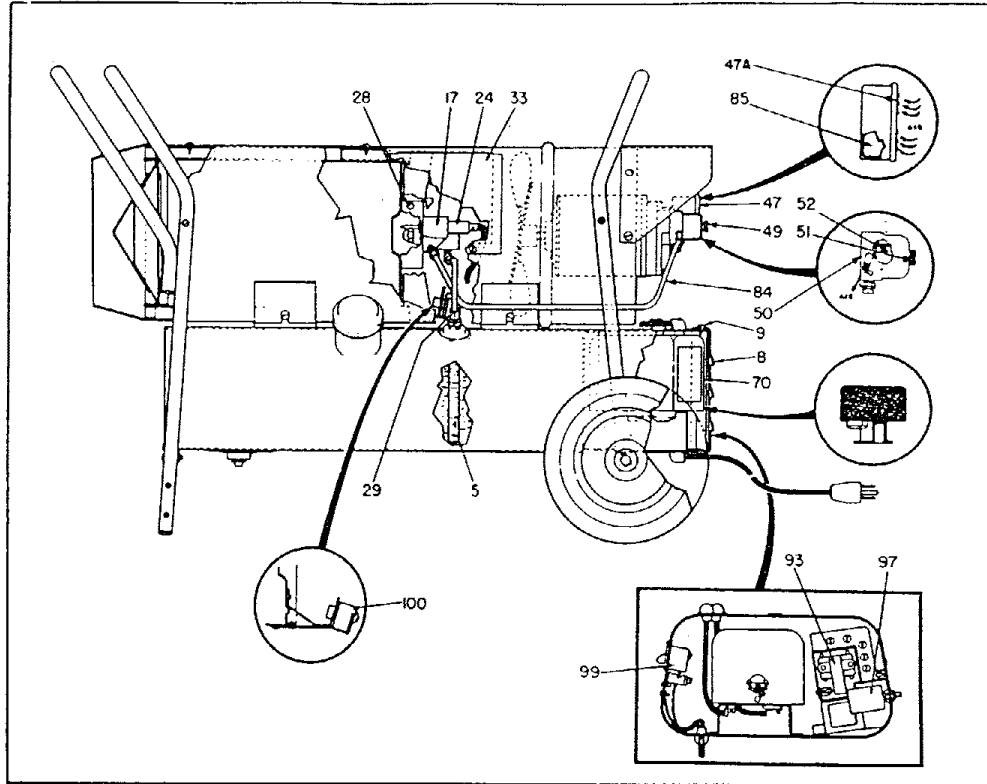


Figure 3. Portable Heater - Side View

Figure & Index No.	Part Number	Part Name	Quantity
3-5	M8796	Fuel Filter	1
3-8	M8635	Cover	1
3-9	ST-2-3B	Screw	4
3-17	M8789	Burner Assembly	1
3-24	M8990	Electrode, RH	1
3-24	M8989	Electrode, LH	1
3-28	RF3-3C	Round Head Screw	3
3-29	M8685	Fuel Line	1
3-33	M8633	Access Door	1
3-47	M8769	Air Cleaner	1
3-47A	M9191	Filter Cover	1
3-49	M9791	Air Output Filter	1
3-50	M9716	Block (Housing)	1
3-51	M9768	Thumb Screw	1
3-52	M9766	Felt Filter	2
3-70	M3259-4	Transformer	1
3-84	M9952	Air Line	1
3-85	M8849	Filter Element	1
3-93	M9210	Relay, Line Voltage	1
3-97	M9232	Protector, Motor	1
3-99	M3480	Switch	1
3-100	M9211	Cell, Safety Control	1

Figure 2. Wiring Diagram

