

Figure 16. Burner Head Assembly

| Index No. | Part Number | Part Name | Qty. |
|-----------|-------------|---|------|
| 16- | M23443-2 | Burner Head Assembly | Ref. |
| 1 | M16660 | . Bracket, Photo Cell | 1 |
| 2 | *M10908-1 | . Screw, Hex hd., Self-tapping, No. 6-32 x 1/4 (AP) | 2 |
| 3 | M10962-2 | . Spark Plug | 1 |
| 4 | M16741-18 | . Ring, Retaining | 1 |
| | M23151-2 | . Nozzle Adapter Assembly | 1 |
| 5 | M5976 | . . Connector, Male | 1 |
| 6 | M8882 | . . Sleeve, Nozzle Seal | 1 |
| 7 | M10659-1 | . . Washer, Nozzle Seal | 2 |
| 8 | M10809-1 | . . Spring, Nozzle Seal | 1 |
| 9 | M13960 | . . Nozzle, Aspirating | 1 |
| 10 | M16791 | . . Connector, Male | 1 |
| 11 | M16535 | . . Adapter, Nozzle | 1 |
| 12 | M25020 | . Body, Burner Head | 1 |

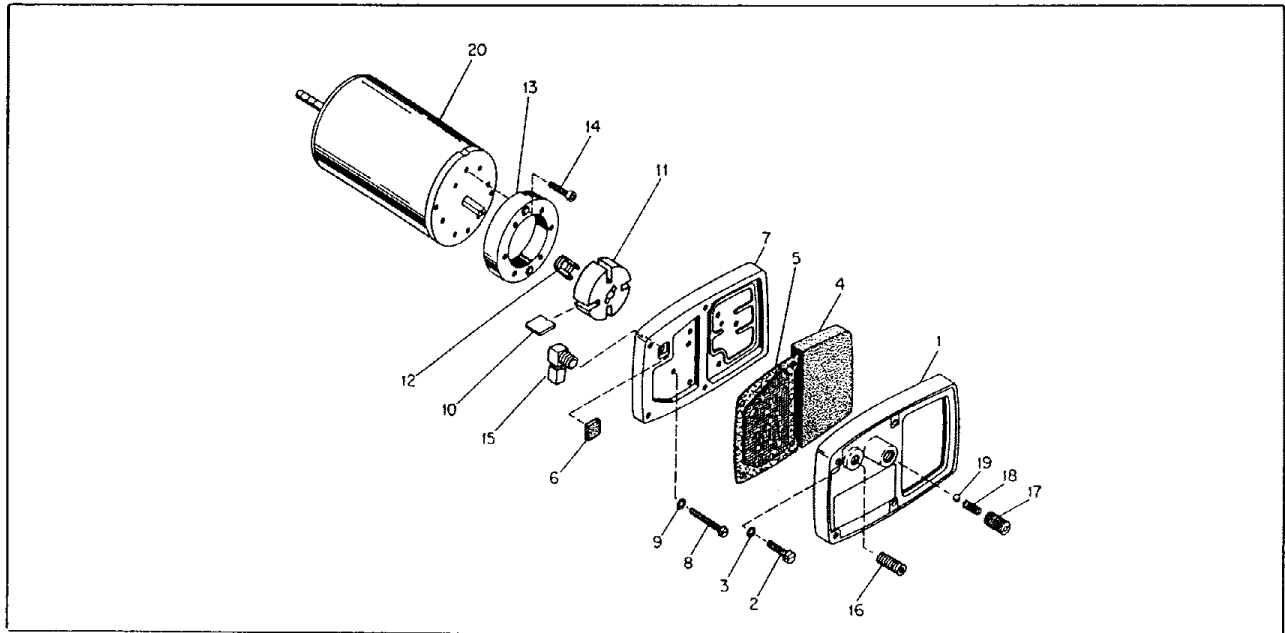


Figure 17. Motor Package Assembly

| Index No. | Part Number | Part Name | Qty. |
|-----------|-------------|---|------|
| 17- | M25023-1 | Motor Package Assembly (See figure 15) | Ref. |
| 1 | M16545 | . End Cover, Filter | 1 |
| 2 | *M12461-31 | . Screw, Hex hd. No. 10-32 x 1 (AP) | 4 |
| 3 | *WLI-3 | . Lockwasher, Internal No. 10 (AP) | 4 |
| 4 | M12179 | . Intake Air Filter | 1 |
| 5 | M12244-1 | . Output Filter Assy | 1 |
| 6 | M11637 | . Filter, Lint | 1 |
| 7 | M12233 | . Front Cover, Pump (Port Plate) | 1 |
| 8 | *M12461-32 | . Screw, Hex hd. No. 10-32 x 1-1/8 (AP) | 6 |
| 9 | WLI-3 | . Lockwasher, Internal No. 10 (AP) | 6 |

| Index No. | Part Number | Part Name | Qty. |
|-----------|-------------|---|------|
| 10 | M8643 | . Blade, Pump | 4 |
| 11 | M22456-1 | . Rotor, Pump | 1 |
| 12 | M22009 | . Insert, Rotor | 1 |
| 13 | M8645 | . Pump Body | 1 |
| 14 | *FHPP3-4C | . Screw (Pump Body to Motor) | 2 |
| 15 | 69248 | . Elbow, 90° | 1 |
| 16 | M22997 | . Plug | 1 |
| 17 | M23105 | . Screw, Pressure Adjustment | 1 |
| 18 | M10993-1 | . Spring, Compression (Pressure Relief) | 1 |
| 19 | M8940 | . Ball, 1/4 in. dia. | 1 |
| 20 | M25022-1 | . Motor | 1 |

AP Indicates attaching parts.

* Standard hardware. Purchase locally.

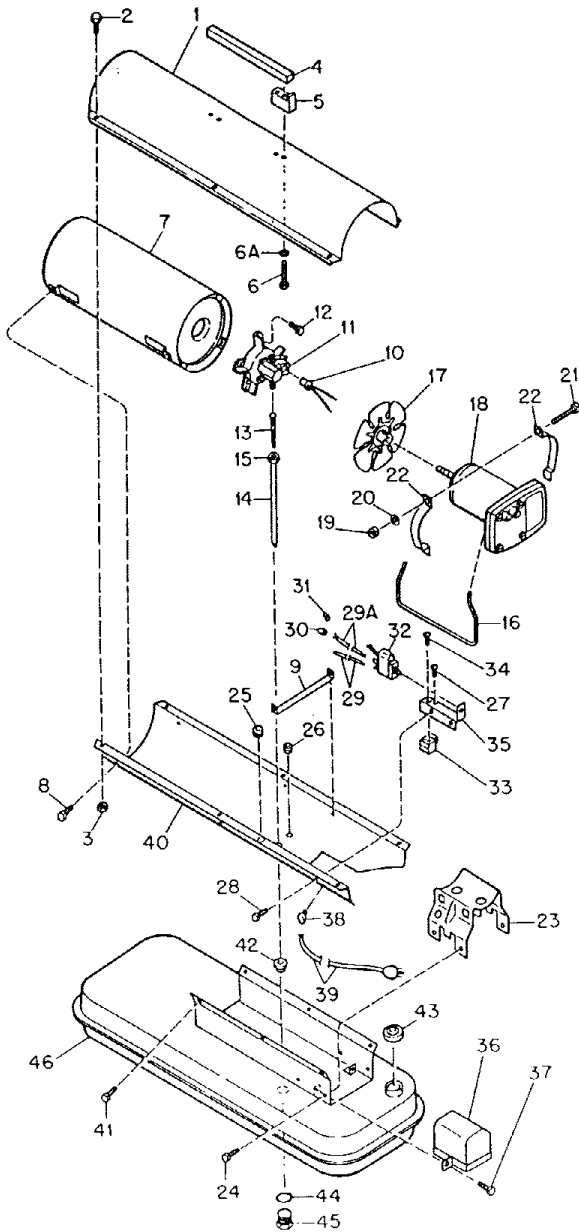
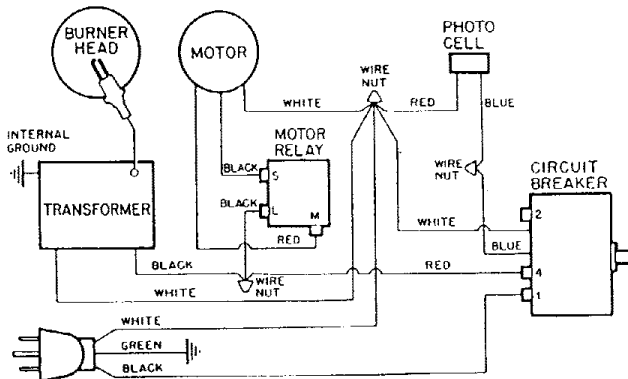


Figure 15. Heater Exploded View

Figure 11. Wiring Diagram



| Index No. | Part Number | Part Name | Qty. |
|-----------|-------------|--|------|
| 1 | M25030-2C | Shell, Upper | 1 |
| 2 | M12461-49 | Screw, Hex hd., No. 10-24 x 1/4 (AP) | 6 |
| 3 | NPC-3C | Nut, Plain 10-24 | 6 |
| 4 | M25278 | Handle | 1 |
| 5 | M12439L | Support, Handle | 2 |
| 6 | M10908-58 | Screw, Hex hd., No. 10-24 x 1-1/2 (AP) | 4 |
| 6A | WP-4C | Washer, Plain No. 10 (AP) | 4 |
| 7 | M25019-1 | Combustion Chamber Assy | 1 |
| 8 | M11084-26 | Screw, Hex hd., Self-tapping No. 10-12 x 3/8 in. (AP) | 4 |
| 9 | M25645 | Strap, retainer | 1 |
| 10 | M16656-3 | Photo Cell and Bushing Assembly | 1 |
| 11 | M23443-2 | Burner Head Assembly (For details see Fig. 16) | NA |
| 12 | M11084-27 | Screw, Hex hd., self-tapping No. 10-12 x 1/2 in. (AP) | 3 |
| 13 | M19630 | Filter, Fuel | 1 |
| 14 | M16790-14 | Tube, Fuel filter | 1 |
| 15 | M13849 | Nut, Flared | 1 |
| 16 | M25021 | Air Line | 1 |
| 17 | M25727 | Fan, 25/32 inch pitch Setscrew, Socket hd, cup point, 1/4-28 x 5/16 (Furnished with fan) | 2 |
| 18 | M25023-1 | Motor Package Assembly (For details see Fig. 17) | 1 |
| 19 | NPC-4C | Nut, Plain, Hex 1/4-20 (AP) | 2 |
| 20 | WLM-4 | Lockwasher, 1/4 in. (AP) | 2 |
| 21 | HC4-10C | Screw, Hex hd., 1/4-20 x 1-1/4 in. (AP) | 2 |
| 22 | M16661 | Clamp, Motor | 4 |
| 23 | M25059 | Bracket, Motor Support | 1 |
| 24 | M11084-27 | Screw, Hex hd., self-tapping, No. 10-12 x 1/2 in. (AP) | 4 |
| 25 | 1000576 | Grommet | 2 |
| 26 | 1000577 | Grommet | 1 |
| 27 | ST2-2AC | Screw, Rd. hd., No. 8-15 x 1/4 in. (Grounding) | 1 |
| 28 | M11084-26 | Screw, Hex hd., self-tapping No. 10-12 x 3/8 in. | 2 |
| 29 | M16841-15 | Wire Assembly | 1 |
| 29A | M16841-16 | Wire Assembly | 1 |
| 30 | M13942-2 | Connector, Wire | 2 |
| 31 | M13942-4 | Connector, Wire | 1 |
| 32 | M24982-5 | Control Assembly, Safety | 1 |
| 33 | M25061-1 | Relay, Motor start | 1 |
| 34 | M11084-26 | Screw, Rd. hd., No. 10-12 x 3/8 in. (AP) | 2 |
| 35 | M25035 | Bracket, Relay | 1 |
| 36 | M16697 | Transformer Assembly | 1 |
| 37 | M11084-27 | Screw, Hex hd., self-tapping No. 10-12 x 1/2 in. | 2 |
| 38 | M11143-1 | Bushing, Strain relief | 1 |
| 39 | M10813-38 | Extension Cord Assembly | 1 |
| 40 | M25031D | Lower Shell Assembly | 1 |
| 41 | M11084-26 | Screw, Hex hd., self-tapping, No. 10-12 x 3/8 in. (AP) | 4 |
| 42 | M10990-3 | Bushing | 1 |
| 43 | M23284 | Cap, Filler Neck | 1 |
| 44 | M25374-1 | Plug Assembly, Drain | 1 |
| 44 | M25375 | O-Ring | 1 |
| 45 | M25277 | Plug, Drain | 1 |
| 46 | M26224-2C | Fuel Tank Assembly | 1 |