

KNIPCO PORTABLE HEATER MODEL F50A Spec. No. 5003G02

Manual No. M50092-13

When ordering your part, be sure to provide all pertinent facts when you call or visit your service dealer.

The model and serial number of your portable heater will be found on a decal toward the rear (motor end) of your unit.

When ordering repair parts always give the following:

- A) Part Number
- B) Model Number
- C) Description

NOTE: All painted service parts will be painted a common color of baked enamel finish; these parts may not match your present color—these parts may be repainted if necessary.

| Key No. | Part Number | Part Name or Description | Qty. |
|---------|-------------|------------------------------------|------|
| 1 | M11084-26 | Screw, Hex. hd., 10-12 x 3/8 in. | 6 |
| | M30725-03 | Upper Shell Assembly | 1 |
| 2 | M17539-9 | ●Rivet | 4 |
| 3 | M28153 | ●Handle | 1 |
| 4 | M30724AD | ●Shell | 1 |
| 5 | M30883-01 | Chamber Assembly, Combustion | 1 |
| 6 | M11084-26 | Screw, Hex. hd., 10-12 x 3/8 in. | 4 |
| 7 | M29707-02 | Burner Head Assembly | 1 |
| 8 | M29824 | ●Nut, Special 14MM | 1 |
| 9 | M29835 | ●Spark Plug | 1 |
| 10 | M16741-18 | ●Ring, Retainer | 1 |
| | M29705-02 | ●Nozzle, Siphon | 1 |
| | M29705-02 | ●Nozzle Adapter Assembly | 1 |
| 11 | M30875 | ●●Nozzle, Siphon | 1 |
| 12 | M29805 | ●●Adapter, Nozzle | 1 |
| 13 | M29615-01 | ●●Bracket Assembly, Nozzle Adapter | 1 |
| 14 | M10908-1 | Screw, Hex. hd., 6-32 x 1/4 in. | 2 |
| 15 | M16656-3 | Photocell and Bushing Assembly | 1 |
| 16 | M16660 | Bracket, Photocell | 1 |
| 17 | M29652-01 | Tubing, Fuel | 1 |
| 18 | M29814-01 | Filter Assembly, Fuel | 1 |
| 19 | M10990-3 | Bushing, Rubber | 1 |
| 20 | M11084-26 | Screw | 1 |
| 21 | M13942-5 | Connector, Wire | 2 |
| 22 | M13942-7 | Connector, Wire | 1 |
| 23 | 1000576 | Grommet | 2 |
| 24 | M30884 | Fan | 1 |
| 25 | M16841-16 | Wire Assembly | 1 |
| 26 | M28898-03 | Safety Control Assembly | 1 |
| 27 | M29652-03 | Tubing, Airling | 1 |
| 28 | M11084-26 | Screw, Hex. hd. | 2 |
| 29 | M16697-02 | Transformer Assembly | 1 |
| 30 | NTC-3C | Nut | 4 |
| 31 | M12461-50 | Screw | 4 |
| 32 | M29800 | Decal, Reset | 1 |
| 33 | M29750-02 | Motor Package Assembly | 1 |
| 33 | M29750-02 | Motor Package Assembly | 1 |
| 34 | M11084-26 | Screw | 4 |
| 35 | M29616 | Motor Mounting Bracket | 1 |
| 36 | M11271-6 | Nut, Tinnerman | 6 |
| 37 | M11143-1 | Bushing, Strain Relief | 1 |
| 38 | M10813-74 | Extension Cord Assembly | 1 |
| 39 | M11084-26 | Screw | 4 |
| | M12250-2 | Nut, Tinnerman | 4 |
| 41 | M30763AD | Shell, Lower | 1 |
| 42 | M30715-01 | Cap, Fuel | 1 |
| 43 | M30873-01AK | Tank Assembly, Fuel | 1 |
| 44 | M11084-26 | Screw, Hex. hd., 10-12 x 3/8 in. | 2 |
| 45 | M30726-AK | Bracket End cover | 1 |
| 46 | M11084-26 | Screw, Hex. hd., 10-12 x 3/8 in. | 2 |
| 47 | M31348-01 | Assembly Shell Support | 1 |
| 48 | M50238 | Spacer, Filter | 1 |
| 49 | M50323 | Screen, Filler Neck | 1 |

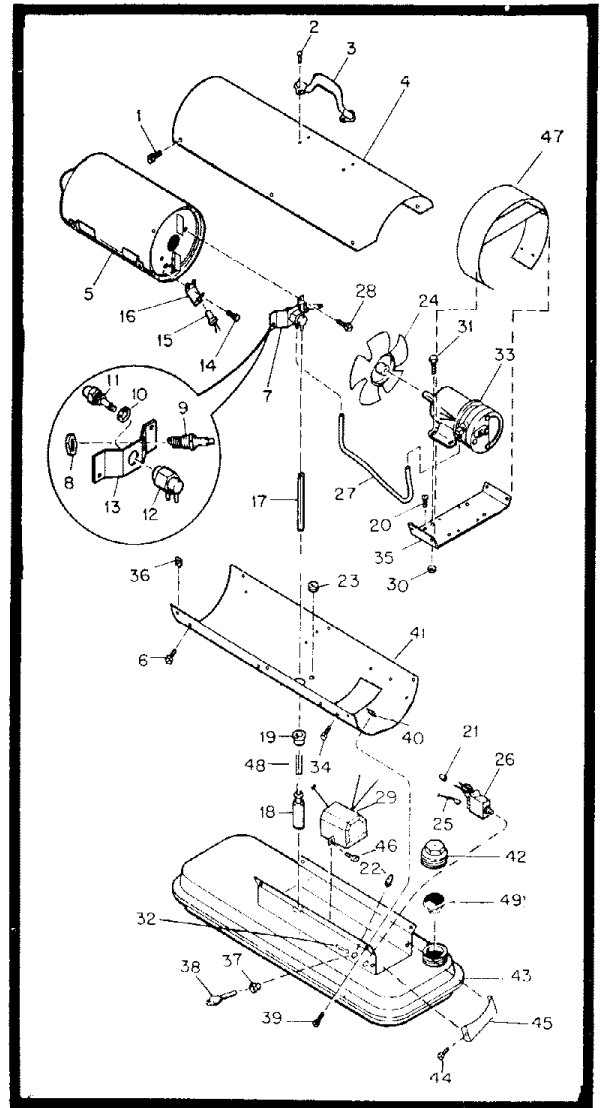


Figure 1, Heater, Exploded View

SPECIFICATIONS

| | |
|--|---------------------------------|
| Output Rating (BTU per hour) | 50,000 |
| Amperage (During normal run) | 2.85 |
| Starting | 4.00 |
| Air Pump Pressure (PSI) | 3.6 |
| Weight (Approx. lbs.) Shipping | 3.34 |
| Fuel Tank Capacity, U.S. Gallons | 3.50 |
| Fuel Consumption, Approx. U.S. Gal. per hour | 0.36 |
| Electrical Requirements Voltage | 115 |
| Cycles | 60 |
| Air Output (CFM) | 145 |
| Motor RPM | 1675 |
| Fuel | Kerosene or No. 1 Fuel Oil only |
| Duct | No Duct Recommended |

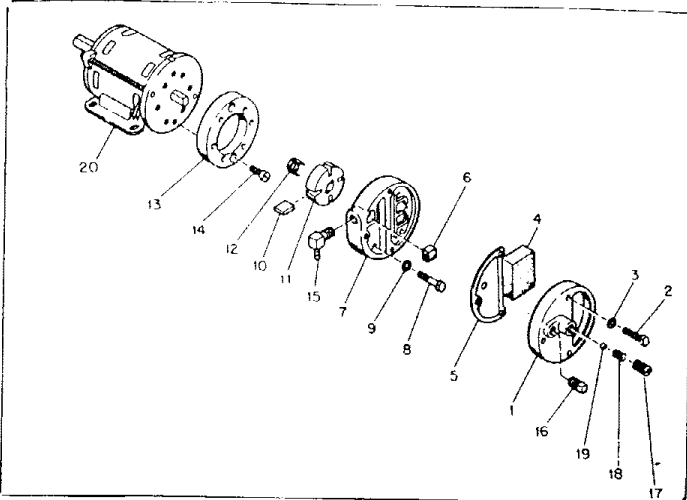


Figure 2. Motor Package Assembly

PARTS AVAILABLE—NOT SHOWN

- M Manual, Instruction Form 4313
- M22743 Decal, Warning
- M30728 Decal, Wiring Diagram
- M29800 Decal, Reset
- M20532-8 Decal, Pump Pressure
- M31317 Decal, Fuel
- M18196 Decal, Mfg. by
- M50011 Decal, Spark Plug
- M29936 Decal, Trade Name
- M22898 Decal, Name Plate

| Key No. | Part Number | Part Name or Description | Qty. |
|---------|-------------|---|------|
| 1A | M29750-02 | Motor Package Assembly | 1 |
| 1 | M29609 | •End Cover, Filter | 1 |
| 2 | M12461-31 | •Screw (Filter End Cover to Pump End Cover) | 3 |
| 4 | M29633 | •Intake Air filter | 1 |
| 5 | M29612-01 | •Output Filter Assembly | 1 |
| 6 | M29632 | •Filter, Lint | 1 |
| 7 | M29608 | •End Cover, Pump (Port Plate) | 1 |
| 8 | M12461-31 | •Screw (End Cover to Motor) | 6 |
| 10 | M8643 | •Blade | 4 |
| 11 | M22456-1 | •Rotor, Pump | 1 |
| 12 | M22009 | •Insert, Rotor | 1 |
| 13 | M8645 | •Pump Body | 1 |
| 14 | FHPF3-4C | •Screw (Pump Body to Motor) | 2 |
| 15 | M50015 | •Elbow | 1 |
| 16 | M22997 | •Plug, Socket Hd. | 1 |
| 17 | M27694 | •Screw, Pressure Adjustment | 1 |
| 18 | M10993-1 | •Spring, Compression (Pressure Relief) | 1 |
| 19 | M8940 | •Ball, 1/4 in. dia. | 1 |
| 20 | M30876-01 | •Motor | 1 |

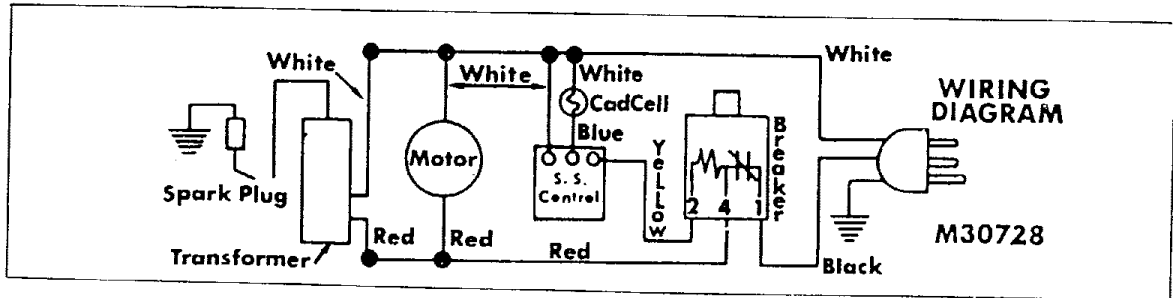


Figure 3. Wiring Diagram