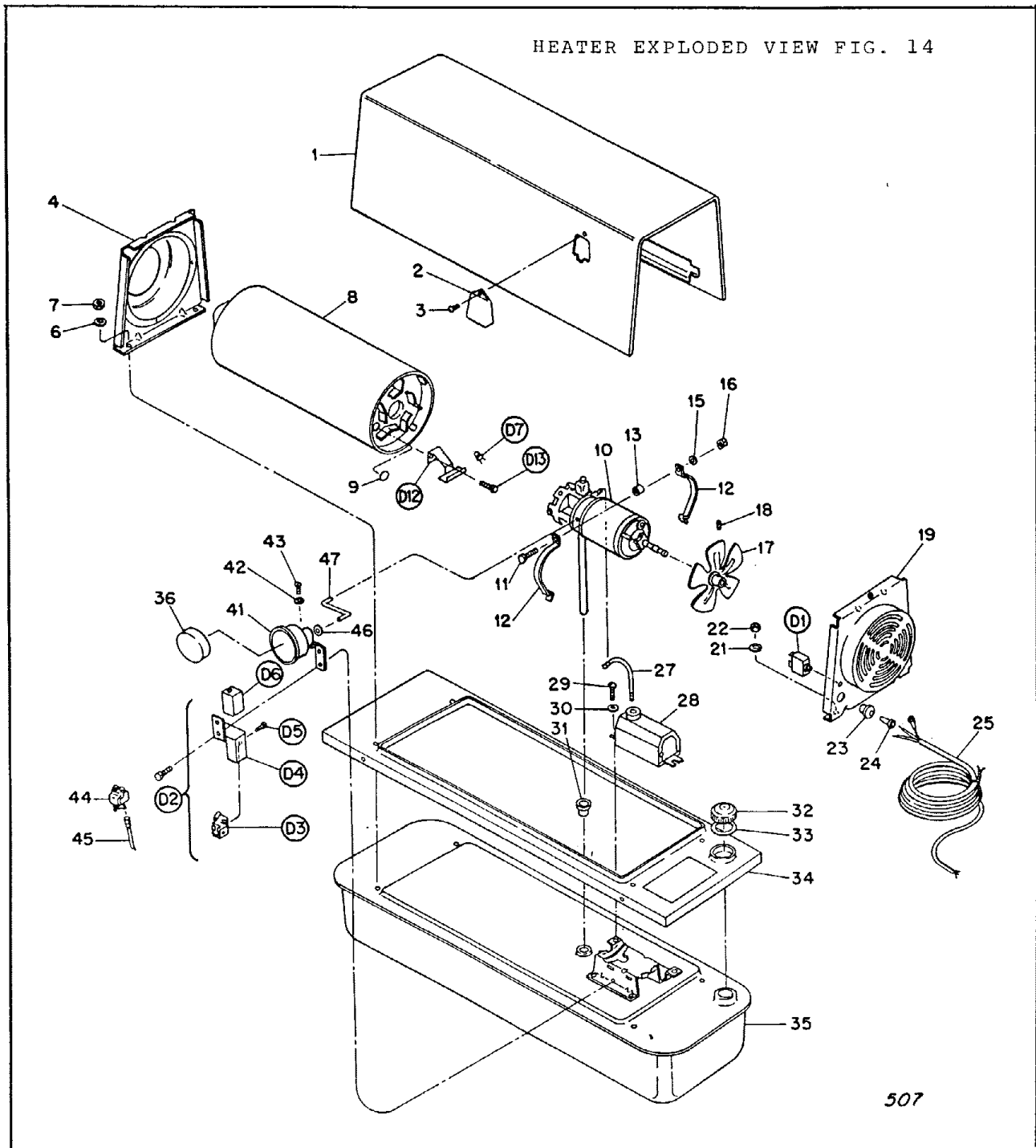


REDDY HEATER M50E AND M50E DELUXE SPEC 2810G2-3 AND SPEC 2810G21 LOW PRESSURE FORM 2176-1 (5/68)



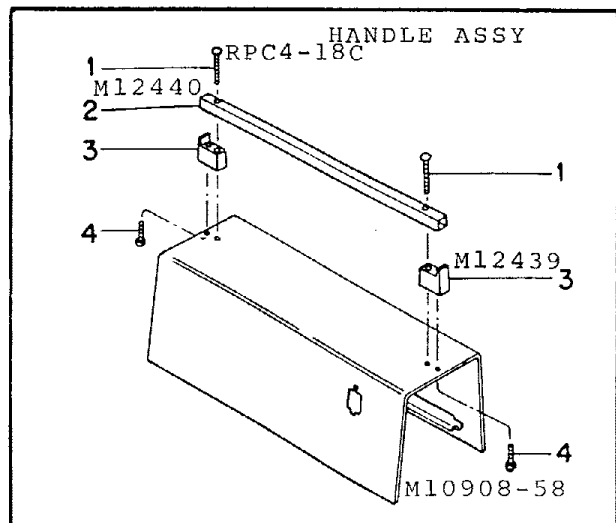
REDDY HEATER M50E AND M50E DELUXE SPEC 2810G 2-3 AND SPEC 2810G 21 LOW PRESSURE FORM 2176-1 (5/68)

Index No.	Part Number	Part Name or Description	Model Code	Quan. Per Model
1	M12436G1	Housing, Heater	@	1
2	M12568	Cover, Filter	@	1
3	M10908-2	Screw, Hex hd, Slotted, No. 6-32 x 3/8, Type "S"		1
4	M15767G1	End Cap and Nose Cone	@	1
5	(Not Used)			
6	WLI-4C	Lockwasher, Internal tooth, 1/4 in.		2
7	NPC-4C	Nut, Plain hex, 1/4-20		2
8	M15770G1	Combustion Chamber		1
9	M15995	Plug Button	A	1
10	See Fig. 15	Motor, Pump and Burner Head Assy		1
11	HC4-10C	Screw, Rd. hd., 1/4-20 x 1-1/4 in.		2
12	M16661	Clamp, Motor		4
13	M13620	Spacer, Motor Clamp		2
14	(Not Used)			
15	WLM-4C	Lockwasher, 1/4 in.		2
16	NPC-4C	Nut, Plain hex, 1/4-20		2
17	*M13514	Fan, 24° Pitch		1
18	SFK-4-2	Setscrew, Soc. hd., Cup pt., 1/4-28 x 1/4		2
19	M12427G1	Fan Guard	@	1
20	(Not Used)			
21	WLI-4C	Lockwasher, Internal tooth, 1/4 in.		2
22	NPC-4C	Nut, Plain hex, 1/4-20		2
23	M11143-1	Bushing, Strain Relief		1
24	M13942-4	Connector (Wire Nut)	A	2
25	M15779G1	Cord, Service (Extension)	A	1
	M15779G14	Cord, Service (Extension)	B	1

CONTROL PARTS USED ON DELUXE HEATERS ONLY

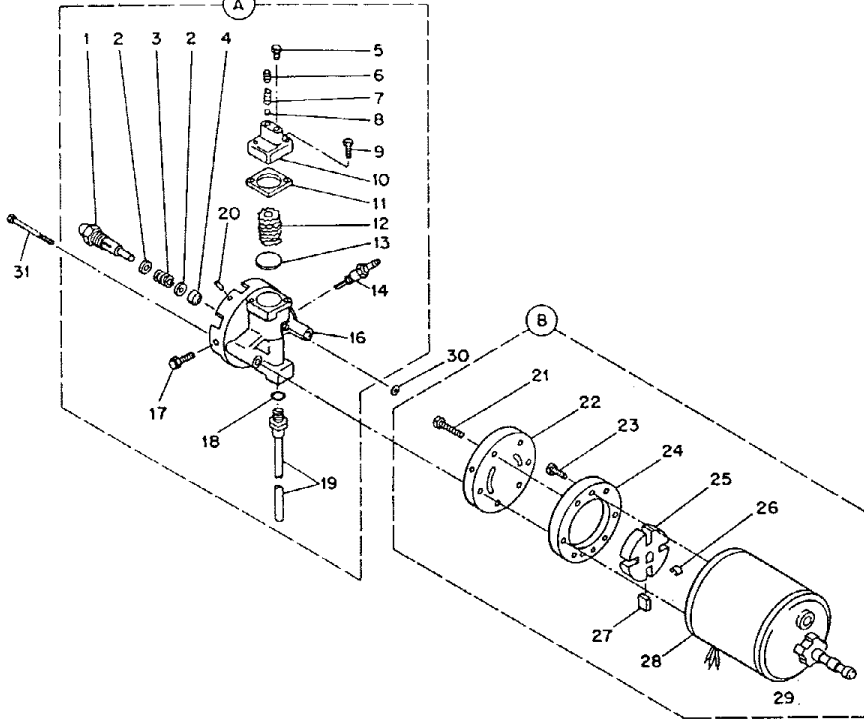
D1	M14360	Circuit Breaker	B	1
D2	M17155G1	Relay and Bracket Assembly	B	1
D3	M16967G1	Control Relay Assy	B	1
D4	M14370	Bracket, Relay	B	1
D5	M12461-2	Screw, Hexhd, No. 6-32 x 3/8 in. (relay mounting)	B	1
A	Standard Only			
B	Deluxe Only			
D6	M14983	Dust Cover, Relay	B	1
D7	M16656G1	Photocell and Bushing Assy	B	1
D8	(Not Used)			
D9	(Not Used)			
D10	(Not Used)			
D11	(Not Used)			
D12	M16660	Bracket, Photocell	B	1
D13	M10908-1	Screw, Self-tapping, Hex hd, No. 6-32 x 1/4 in., Type "S"	B	2
	M9900G36	Wire Assy, Red	B	1
	M13942-2	Connector, Wire	B	1
	M13942-4	Connector, Wire	B	2

Index No.	Part Number	Part Name or Description	Model Code	Quan. Per Model
26	(Not Used)			
27	M10818G15	Lead, Electrode (Not used with alternate G-E transformer M13277-2)		1
28	M15064	Transformer, G-E		1
	M14292	Transformer, Jefferson		1
	M13277-2	Transformer, G-E (Alternate for M15064)		1
	M14242	Transformer, Union (Alternate for M15064)		1
29	M15823-26	Screw, Hex hd., No. 10-12 x 3/8 in., Type "B"		2
30	(Not Used)			
31	M10990-3	Bushing, Rubber		1
32	M11151-1	Cap, Fuel tank filler		1
33	M14246	Seal, Rubber		1
34	M12424	Skirt, Fuel tank	@	1
35	M10716G1	Fuel Tank Assy, with feet	@	1
36	*M1146-1	Element, Intake Air Filter		1
37	(Not Used)			
38	(Not Used)			
39	(Not Used)			
40	(Not Used)			
41	M17018G1	Filter Body and Bracket Assy		1
42	WLI-2C	Lockwasher, No. 8		2
43	RC2-2C	Screw, Rd. Hd., No. 8-32 x 1/4 in.		1
43	RC2-3C	Screw, Rd. Hd., No. 8-32 x 3/8 in. (for ground wire)		1
44	M12462-3	Relay, Motor starting		1
45	M9900G37	Wire Assy		1
46	M13293	Grommet, Rubber		1
47	M12432	Tube, Air Intake		1
48	M11084-27	Screw, No. 10-12 x 1/2 in., Type "A"		2



REDDY HEATER M50E AND M50E DELUXE SPEC 2810G2-3 AND SPEC 2810G21 LOW PRESSURE FORM 2176-1 (5/68)

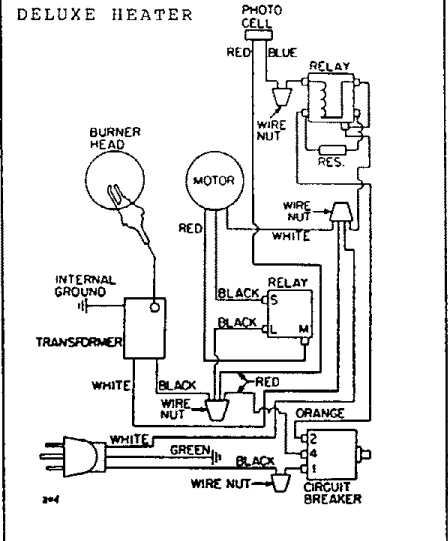
MOTOR, PUMP & BURNER HEAD ASSY



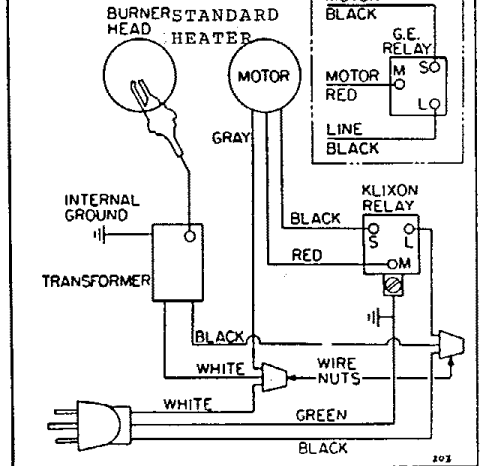
468

MOTOR, PUMP & BURNER HEAD ASSY			
Index	Part	Part Name	Quan.
No.	Number	or Description	Per Model
1	M11148G6	Motor, Pump and Burner Head Assembly	1
(A)	M12428G3	Burner Head Assy	1
1	M11054-1	Nozzle, Siphon	1
2	M10659-1	Washer, Nozzle seal	2
3	M10809-1	Spring, Nozzle seal	1
4	M8882	Sleeve	1
5	M10837	Plug, Hex hd	1
6	M10992-1	Screw, Adjusting	1
7	M10993-1	Spring, Pressure Relief	1
8	M8940	Ball	1
9	M12461-54	Screw, Hex hd, No. 10-24 x 7/8 in.	2
10	M12576	Body, Valve	1
11	M12577	Gasket	1
12	*M9942G3	Output Filter Element Assy	1
13	M12578	Filter, Lint	1
14	*M16895G1	Spark Plug Assy	1
16	M12273	Body, Burner Head	1
17	M10908-38	Screw, No.12-24 x 3/8 in., type "S"	1

WIRING DIAGRAM
DELUXE HEATER



WIRING DIAGRAM
BURNER STANDARD
HEAD HEATER



MOTOR, PUMP & BURNER HEAD ASSY			
Index	Part	Part Name	Quan.
No.	Number	or Description	Per Model
18	*M10718-1	O-Ring	1
19	M14266G1	Fuel Filter Assy	1
20	ROPL2-8	Roll Pin	4
(B)	M12429G2	Motor and Pump Assy	1
21	FHPPF3-8C	Screw, Fil. hd., No. 10-32 x 1 in.	4
22	M12430	End Cover, Pump	1
23	FHPPF3-4C	Screw, Fil. hd., No. 10-32 x 1/2 in.	2
24	M8645	Body, Pump	1
25	M11959	Rotor, Pump	1
26	M11966-5	Spring, Pump Rotor	1
27	M8643	Blade	4
28	M11938-2	Motor	1
30	M13372	Seal (O-Ring)	1
31	FHF3-20C	Screw, Fil. hd., No. 10-32 x 2-1/2 in.	2