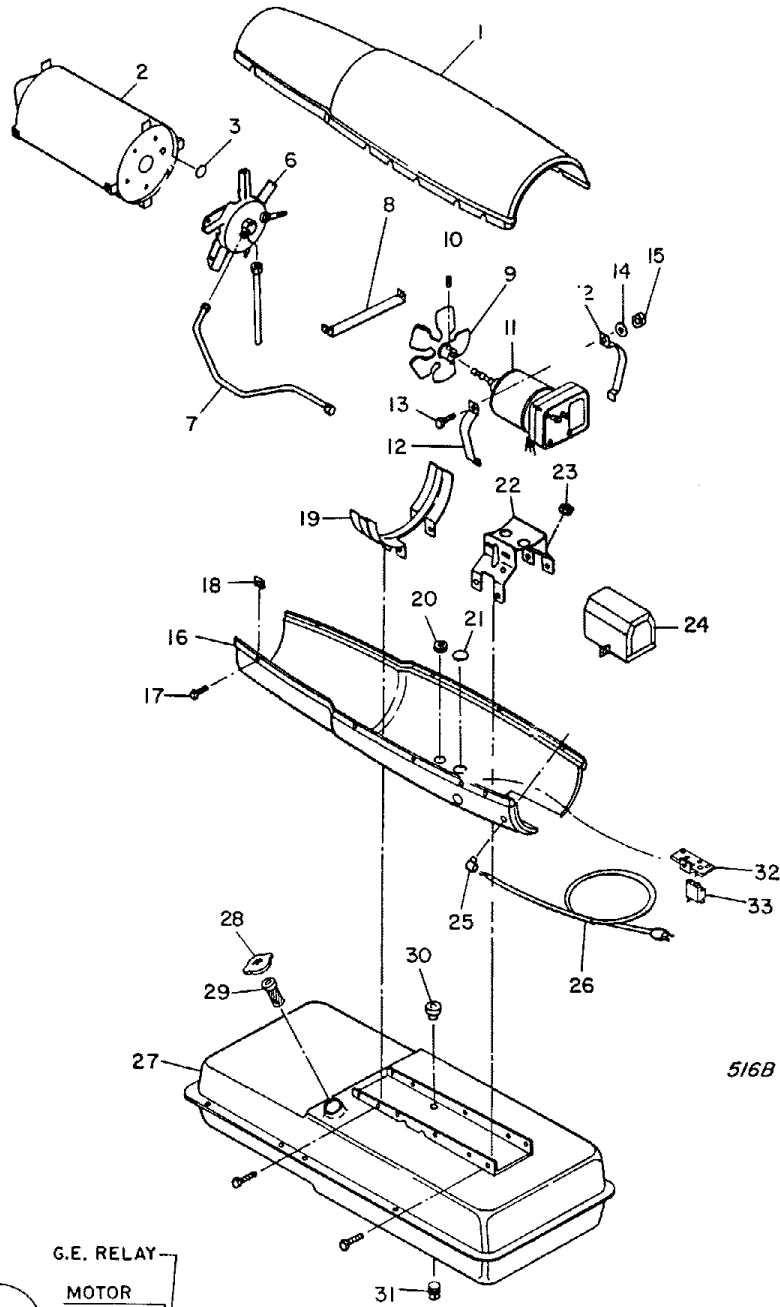
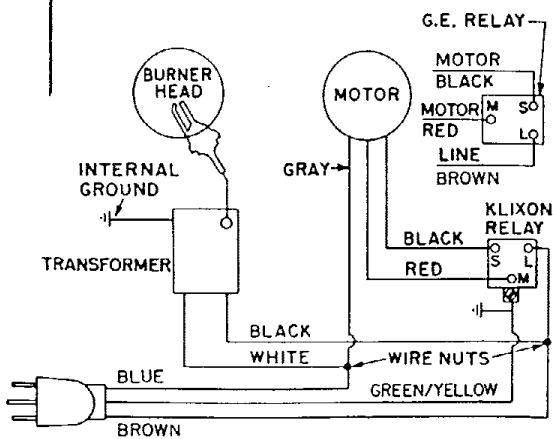


# REDDY HEATER M-100E SPEC 3114G11 FORM 2728-1 (8/72) LOW PRESSURE



516B



# REDDY HEATER M-100E SPEC 3114G11 LOW PRESSURE FORM 2728-1 (8/72)

| Fig. & Index No. | HEATER Part Number | EXPLODED VIEW Part Name                                 | FIG. 13 Qty. |
|------------------|--------------------|---|--------------|
| 13-1             | M13134-3D          | Shell, Upper  | 1            |
| 2                | M16781-4           | Chamber, Combustion                                     | 1            |
|                  | M11084-27*         | Screw (Combustion chamber attaching front)              | 2            |
|                  | M11084-29*         | Screw (Combustion Chamber attaching rear)               | 2            |
| 3                | M15995             | Plug, Button (Combustion Chamber rear head)             | 1            |
| 6                | Ref                | Burner Head Assembly (See figure 14)                    | 1            |
|                  | M11084-27*         | Screw (Burner Head to Combustion Chamber)               | 3            |
| 7                | M16879             | Air Line  | 1            |
| 7A               | M12461-27          | Screw (Air line retaining)                              | 1            |
| 7B               | M24717             | Clamp (Air line)  | 1            |
| 7C               | WLM-3              | Lockwasher No. 10                                       | 1            |
| 7D               | NPF-3C             | Nut, Plain No. 10-32                                    | 1            |
| 8                | M15807             | Strap Retainer  | 1            |
|                  | M11084-27*         | Screw (Retainer Strap to Lower Shell)                   | 2            |
| 9                | M23148             | Fan   | 1            |
| 10               | SF4-2-1/2K         | Setscrew, Soc. Hd, cup pt., 1/4-20 (Fan to Motor Shaft) | 1            |
| 11               | Ref.               | Motor Package Assembly (See figure 15)                  | 1            |
| 12               | M16661             | Clamp, Motor  | 4            |
| 13               | HC4-10C*           | Screw (Motor Clamps)                                    | 2            |
| 14               | WLM-4*             | Lockwasher 1/4 in. (Motor Clamps)                       | 2            |
| 15               | NPC-4C*            | Nut, Hex, 1/4-20 (Motor clamps)                         | 2            |
| 16               | M16777D            | Shell, Lower  | 1            |
| 17               | M11084-27*         | Screw (Upper Shell to Lower Shell)                      | 6            |
| 18               | M11271-6           | Nut, Tinnerman (Upper Shell to Lower Shell)             | 6            |
| 19               | M12330A            | Bracket, Shell Support                                  | 1            |
|                  | M11084-27*         | Screw (Support Bracket to Lower Shell and Fuel Tank)    | 4            |

| Fig. & Index No. | HEATER Part Number | EXPLODED VIEW Part Name                                    | FIG. 13 Qty. |
|------------------|--------------------|--|--------------|
|                  | M11084-29*         | Screw (Lower Shell to Support Bracket)                     | 2            |
| 20               | 1000576            | Grommet (Ignition cable thru Lower Shell)                  | 2            |
| 21               | M15809             | Plug, Button (17/32 in. dia. hole)                         | 1            |
| 22               | M16646             | Bracket, Motor Support                                     | 1            |
|                  | M11084-27*         | Screw (Motor Support Bracket to Lower Shell and Fuel Tank) | 6            |
| 23               | 1000576            | Grommet (Motor Leads thru Motor Support Bracket)           | 1            |
| 24               | M17921             | Transformer, 5000 Volt                                     | 1            |
|                  | M11084-27          | Screw (Transformer to Motor Support Bracket)               | 2            |
| 25               | M11954             | Bushing, Strain Relief (Service Cord to Lower Shell)       | 1            |
| 26               | M15779-9           | Cord Assembly, Extension                                   | 1            |
| 27               | M18360-4C          | Tank Assembly, Fuel  | 1            |
| 28               | M18051             | Cap, Fuel Tank   | 1            |
| 29               | M18053             | Screen, Filler neck  | 1            |
| 30               | M10990-3           | Bushing, Rubber (Fuel Filter into Fuel Tank)               | 1            |
| 31               | M21040             | Plug, Pipe, hex hd, 1/4-18                                 | 1            |
| 32               | M11952             | Bracket, Starting Relay Mounting                           | 1            |
| 33               | M12462-11          | Relay, Starting  | 1            |
|                  | RC2-2C*            | Screw (Starting Relay to Mounting Bracket)                 | 2            |
|                  | WLI-2              | Lockwasher, Internal No. 8                                 | 2            |
|                  | ST2-2AC            | Screw (Grounding)  | 1            |
|                  | M11084-27          | Screw (Relay Bracket to Shell)                             | 1            |
|                  | M9900-62           | Wire Assembly, Black (To Starting Relay)                   | 1            |
|                  | M13942-4           | Connector (Relay Leads)                                    | 2            |

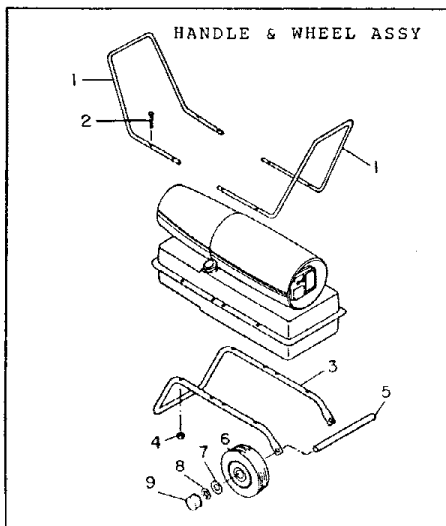


Fig. 16 HANDLE & WHEEL ASSY

| Index No. | Part Number | Part Name   | Quan. |
|-----------|-------------|---|-------|
| 1         | M15131A     | Front Handle  | 2     |
| 2         | M12345-34*  | Screw (Front and Rear Handles and Wheel Support Frame to Fuel Tank) | 8     |
| 3         | M12342B     | Wheel Support Frame   | 1     |
| 4         | NTC-3C      | Nut, No. 10-24 Torque Lock  | 8     |
| 5         | M16801      | Axle  | 1     |
| 6         | M19295      | Wheel   | 2     |
| 7         | WP-8C       | Washer, Flat  | 2     |
| 8         | M16741-15   | Retaining Ring  | 2     |
| 9         | M16802      | Hub Cap, Black  | 2     |

# REDDY HEATER M-100E SPEC 3114G11 LOW PRESSURE FORM 2728-1 (8/72)

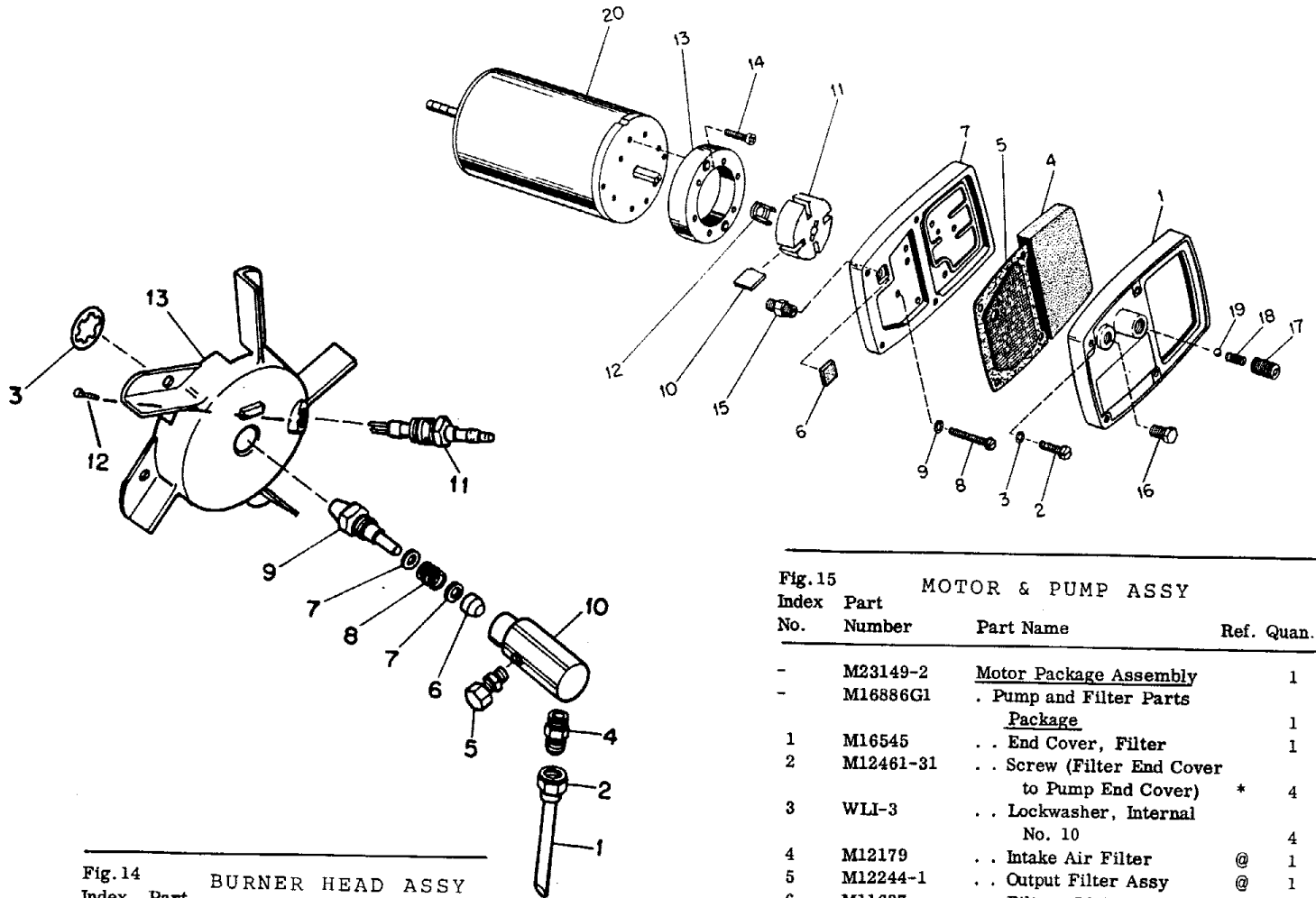


Fig. 14 BURNER HEAD ASSY

| Index No. | Part Number | Part Name   | Quan. |
|-----------|-------------|---|-------|
| -         | M23150-2    | @ Burner Head Assembly (See Fig. 13, Index No. 5) | 1     |
| 1         | M16789-2    | @ Filter Assy, Fuel                               | 1     |
| 2         | M13849      | . . Nut, Flare                                    | 1     |
| 3         | M16741-18   | . . Ring, Retaining                               | 1     |
| -         | M23151-1    | . . Nozzle Adapter Assy                           | 1     |
| 4         | M16791      | . . Connector, Male                               | 1     |
| 5         | M5976       | . . Connector, Male                               | 1     |
| 6         | M8882       | . . Sleeve, Nozzle Seal                           | 1     |
| 7         | M10659-1    | . . Washer, Nozzle Seal                           | 2     |
| 8         | M10809-1    | . . Spring, Nozzle Seal                           | 1     |
| 9         | M23103      | . . Nozzle, Aspirating 0.66 gph                   | 1     |
| 10        | M16535      | @ . . Adapter, Nozzle                             | 1     |
| 11        | M16895-1    | @ Spark Plug Assy                                 | 1     |
| 12        | M12461-51   | . . Screw (Plug Retaining)                        | 1     |
| 13        | M16534      | . . Body, Burner Head                             | 1     |

Fig. 15 MOTOR & PUMP ASSY

| Index No. | Part Number | Part Name                                      | Ref. Quan. |
|-----------|-------------|--|------------|
| -         | M23149-2    | Motor Package Assembly                         | 1          |
| -         | M16886G1    | . . Pump and Filter Parts Package              | 1          |
| 1         | M16545      | . . End Cover, Filter                          | 1          |
| 2         | M12461-31   | . . Screw (Filter End Cover to Pump End Cover) | * 4        |
| 3         | WLI-3       | . . Lockwasher, Internal No. 10                | 4          |
| 4         | M12179      | . . Intake Air Filter                          | @ 1        |
| 5         | M12244-1    | . . Output Filter Assy                         | @ 1        |
| 6         | M11637      | . . Filter, Lint                               | @ 1        |
| 7         | M12233      | . . End Cover, Pump (Port Plate)               | 1          |
| 8         | M12461-32   | . . Screw (End Cover to Motor)                 | * 6        |
| 9         | WLI-3       | . . Lockwasher, Internal, No. 10               | 6          |
| 10        | M8643       | . . Blade                                      | 4          |
| 11        | M22456-1    | . . Rotor                                      | 1          |
| 12        | M22009      | . . Insert, Rotor                              | 1          |
| 13        | M8645       | . . Pump Body                                  | 1          |
| 14        | FHPF3-4C    | . . Screw (Pump Body to Motor)                 | 2          |
| 15        | M5976       | . . Connector, Male                            | 1          |
| 16        | M22997      | . . Pipe Plug                                  | 1          |
| 17        | M23105      | . . Screw, Pressure Adjustment                 | 1          |
| 18        | M10993-1    | . . Spring, Compression (Pressure Relief)      | 1          |
| 19        | M8940       | . . Ball, 1/4 in. dia.                         | 1          |
| 20        | M23107-2    | . . Motor                                      | 1          |