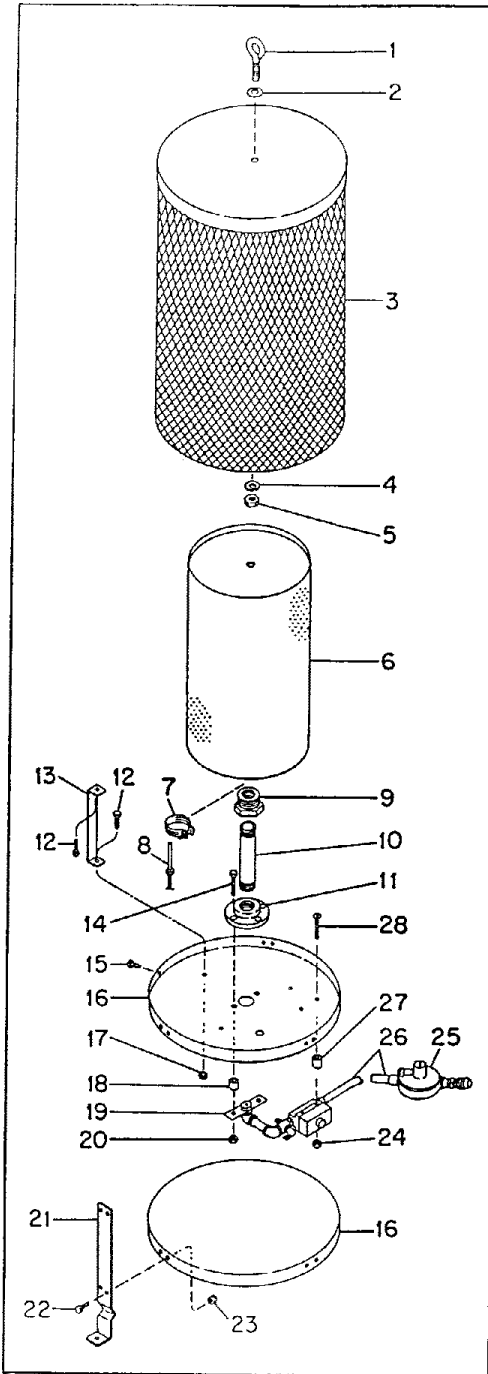
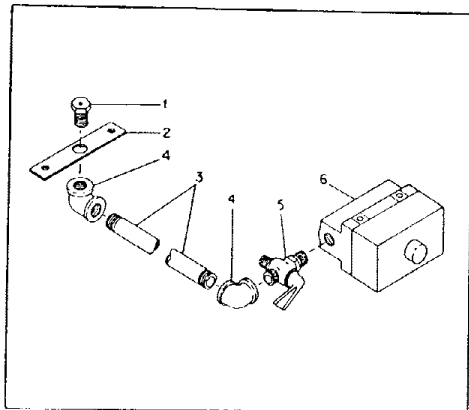


RADIANT TYPE PORTABLE HEATER MODEL SAL-130 Spec. No. 2983G1
 Form No. 2449 (10/68)
MODEL SAL-130



Index No.	Part Number	Part Name	Qty.
1	M18808	Eyebolt	1
2	WP-6C	*Washer, Flat, 3/8	1
3	M18805-1	Outer Wrapper	1
4	WLM-6C	*Washer, Lock 3/8	1
5	NPC-6C	*Nut, Hex 3/8-16	1
6	M18796-1	Combustion Chamber	1
7	M18804	Clamp	1
8	M18803	Thermocouple	1
9	M18788	Bushing, Reducing	1
10	M18787	Nipple, Pipe	1
11	M18786	Flange	1
12	M12461-51	*Screw, Hex Hd., Slotted No. 10-24 x 1/2	6
13	M18795	Support, Chamber	3
14	HC4-10C	*Screw, Hex Hd. 1/4-20 x 1-1/4	2
15	M12461-63	*Screw, Hex Hd, Slotted, 1/4-20 x 1/2	3
16	M18784	Base	2
17	NTC-3	Nut, Torque-Lock, No. 10-24	3
18	M13620	Spacer	2
19	M18789-1	Valve & Nozzle Assembly (See Figure 4.)	1
20	NPC-4C	*Nut, Hex 1/4-20	2
21	M18785	Leg	4
22	M12461-52	*Screw, Hex Hd. No. 10-24 x 5/8	16
23	NTC-3	Nut, Torque-Lock, No. 10-24	16
24	NTC-3C	Nut, Torque-Lock, No. 10-24	2
25	M17507-1	Regulator Assembly	1
	M17489	. Regulator	1
	M15567	. Valve, Excess flow	1
26	M17508	Hose, Gas line 6 ft.	1
27	M13503	Spacer	2
28	RC3-20C	*Screw, Round Hd. No. 10-24 x 2-1/2	2
	M18196	Decal, Nameplate	1
	M18814	Decal, Caution	1
-	M15494-6	Nut, Weld, 1/4-20 (Used loose to fasten Outer Wrapper to Base)	3

*Standard Hardware obtainable locally.



Index No.	Part Number	Part Name	Qty. Per Model	
			SAL-130	SAL-90
VALVE & NOZZLE ASSEMBLY				
1	M18790	Nozzle	1	-
	M18829	Nozzle	-	1
2	M18791	Bracket, Nozzle	1	1
3	M18792	Nipple, Pipe, 1/4 x 3	1	1
4	M15184	Elbow	2	2
5	M18793	Valve, Shut-off	1	1
6	M18794	Valve, Control	1	1