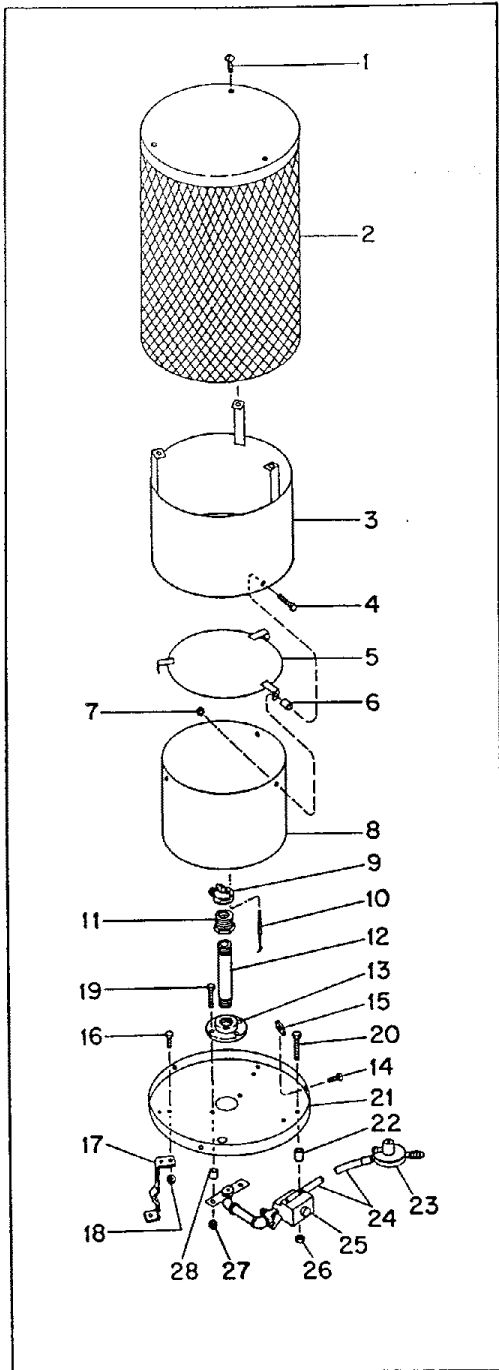


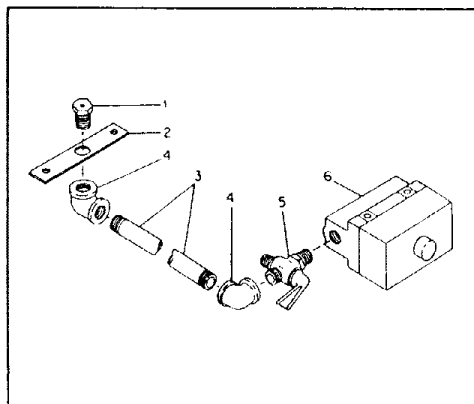
RADIANT TYPE PORTABLE HEATER MODEL SAL-90 Spec. No. 2982G1  
 Form No. 2449 (10/68)

MODEL SAL-90



Index No.	Part Number	Part Name	Qty.
1	RC3-4	*Screw, Round hd., No. 10-24 x 1/2	3
2	M18831-1	Outer Wrapper	1
3	M18834-1	Upper Chamber	1
4	M12461-55	Screws, Hex Hd.	3
5	M18838-1	Flame Spreader	1
6	851472	Spacer	3
7	NTC-3	Nut, Torque-lock, No. 10-24	3
8	M18837	Lower Chamber	1
9	M18804	Clamp	1
10	M18803	Thermocouple	1
11	M18828	Bushing, Reducing	1
12	M18827	Nipple, Pipe	1
13	M18826	Flange, Pipe	1
14	M12461-63	Screw, Hex Hd.	3
15	M15494-6	Nut, Weld, 1/4-20 (Not welded to Base)	3
16	M12461-51	Screw, Hex Hd, 10-24x1/2	6
17	M18825	Leg	3
18	NTC-3C	Nut, Torque-lock, No. 10-24	6
19	HC4-10C	*Screw, Hex Hd, 1/4-20 x 1-1/4	2
20	RC3-20C	*Screw, Round Hd, No. 10-24 x 2-1/2	2
21	M18824	Base	1
22	M13503	Spacer	2
23	M17507-1	Regulator Assembly	1
	M17489	. Regulator	1
	M15567	. Valve, Excess flow	1
24	M17508	Hose, Gas Line, 6 ft.	1
25	M18789-2	Valve and Nozzle Assembly (See Figure 4.)	1
26	NTC-3C	Nut, Torque-Lock, No. 10-24	2
27	NPC-4C	*Nut, Torque-Lock, 1/4-20	2
28	M13620	Spacer	2
	M18196	Decal, Nameplate	1
	M18814	Decal, Caution	1

\* Standard hardware, obtainable locally.



VALVE & NOZZLE ASSEMBLY			Qty. Per Model	
Index No.	Part Number	Part Name	SAL-130	SAL-90
1	M18790	Nozzle	1	-
	M18829	Nozzle	-	1
2	M18791	Bracket, Nozzle	1	1
3	M18792	Nipple, Pipe, 1/4 x 3	1	1
4	M15184	Elbow	2	2
5	M18793	Valve, Shut-off	1	1
6	M18794	Valve, Control	1	1