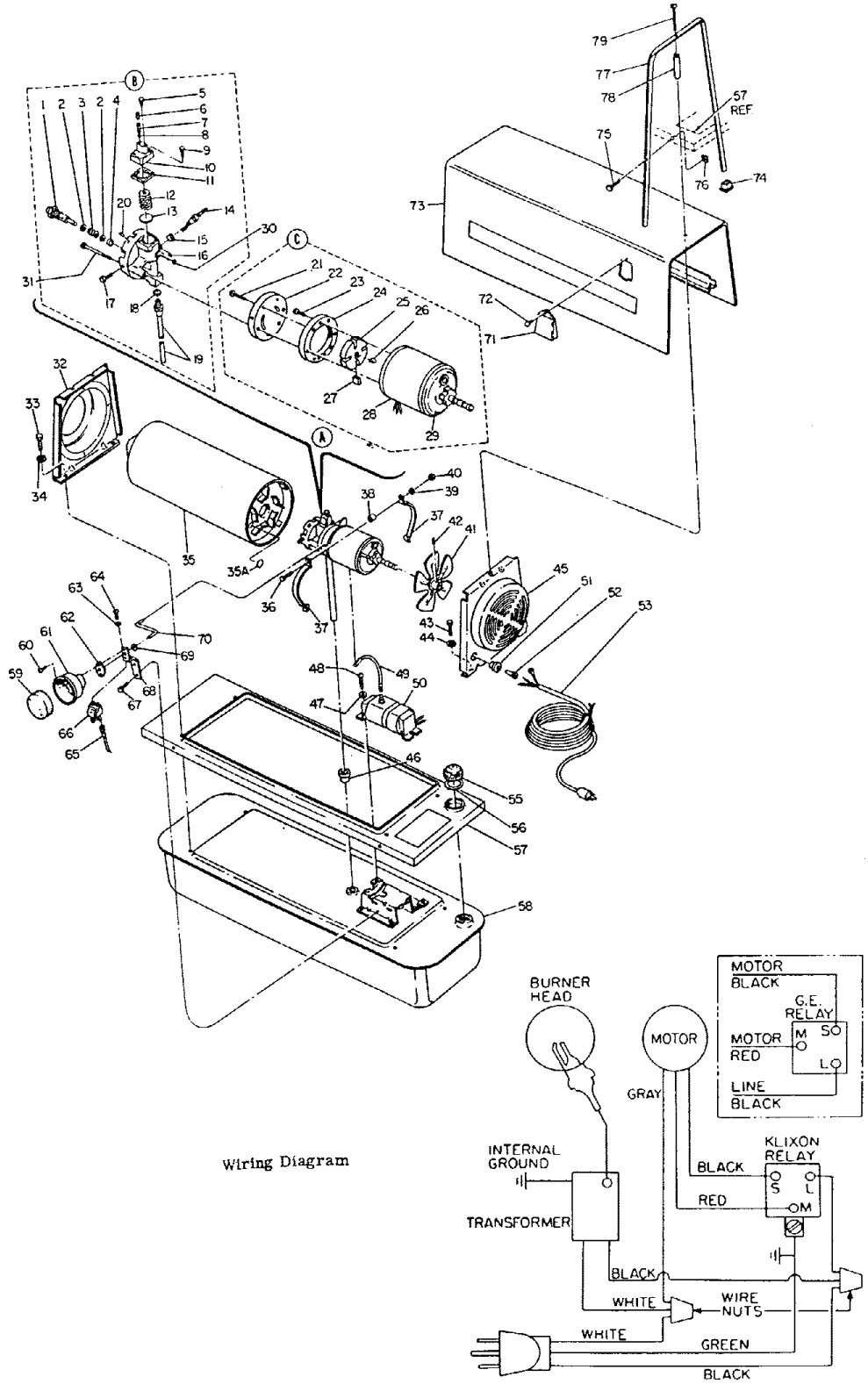


Master B50

Form # 2053 8-66

Spec # 281045-1 & 281045-2



Master B50

Index No.	Part No.	Part Name	Units Per Assy
1	M11054-1	Nozzle, Siphon	1
2	M10659-1	Washer, Nozzle seal	2
3	M10809-1	Spring, Nozzle seal	1
4	M8882	Sleeve	1
5	M10837	Plug, Hex head	1
6	M10992-1	Screw, Adjusting	1
7	M10993-1	Spring, Pressure relief	1
8	M8940	Ball, 1/4 dia	1
9	M12461-54	Screw, Hex head, 10-24 x 7/8	2
10	M12576	Body, Valve	1
11	M12577	Gasket	1
12	¶M9942G3	Filter Element Assy	1
13	¶M12578	Filter, Lint	1
14	¶M10962-1	Spark plug	1
15	M12273	Body, Burner head	1
16	M11265-1	Seal	1
16A	¶M12429G1	Motor and Pump Assy	1
16B	¶M12428G2	Burner Head Assy	1
17	FHPF3-8C	Screw, Fillister head, 10-32 x 1 in.	4
18	M12430	End Cover, Pump	1
19	FHPF3-4C	Screw, Fillister head, 10-32 x 1/2 in.	2
20	M8645	Body, Pump	1
21	M11959	Rotor	1
22	M11966-5	Spring	1
23	M11938	Motor	1
24	FHFC-3-20	Screw, Fillister head, 10-32 x 2-1/2 in.	2
25	¶M10718-1	O-ring	1
26	¶M13086G1	Fuel Filter Assy	1
27	M8643	Blade	4
28	RPC4-18C	Screw, Round head, 1/4-20 x 2-1/4 in.	2
29	M12488	Leg, Front and Rear	2
30	M12655	Support, Leg	2
31	M12436G2	Housing Assembly, Heater	1
32	M12461-55	Screw, Hex head, Type S, 10-24 x 1-1/2 in.	2
32A	M11292-1	Cap, Leg	4
33	M10908-2	Screw, Hex head, Type S, 6-32 x 3/8 in.	1
34	M12568	Cover-Filter	1
35	M11148G3	Motor, Pump and Burner Head Assy	1
36	M11271-2	Nut, Tinnerman	1
37	M10964-1	Clamp, Motor	2
38	NO NUMBER	Setscrew, Socket head, cup point, 1/4-28	1
39	M12431-2	Fan	1
40	M12427G1	Guard Assembly, Fan	1
41	M11143-1	Bushing, Strain relief	1
42	69321-61	Connector, Wire	2
43	M10813G15	Cord Assembly, Extension	1
44	M12461-55	Screw, Hex head, 10-24 x 1 in.	1
45	M10908-49	Screw, Hex head, Type S, 10-24 x 1/4 in.	2
46	M10816G10	Lead Assembly, Electrode	1
47	M11228-3	Transformer	1
48	M12461-65	Screw, Hex head, 1/4-20 x 3/4 in.	4
49	WL1-4	Washer, Lock	4
50	M10990-2	Bushing	1
51	M11151-1	Cap, Filler neck	1
52	M12424-2	Skirt, Tank	1
53	M12416G2	Tank Assembly, Fuel	1
54	¶M12432	Tube, Intake air	1
55	M13293	Grommet, Rubber	1
56	M12433	Bracket-Filter and relay	1
57	M10908-51	Screw, Hex head, Type S, 10-24 x 1/2 in.	2
58	M11951	Relay	1
59	M9946G4	Wire Assembly	1
60	¶M11146-1	Element, Filter	1
61	M12749-25	Screw, Fillister head, Type S, 10-24 x 1/2 in.	2
62	M10747-1	Body, Filter	1
63	M10257-2	Gasket, Filter intake	1
64	WL1-2	Lock washer	2
65	RC2-3C	Screw, Round head, 8-32 x 3/8 in.	2
65A	M11271-4	Nut, Tinnerman	4
66	M10979G2	Combustion Chamber and Nose Cone Assy	1
67	M12425G1	End Cap Assembly	1
68	M9050	Adapter	1
	M13369	Decal, Nameplate	1
	M13368	Decal, Trade name	2
	M12634	Decal, Wiring diagram	1
	M11220-1	Decal, Operation instructions	1

Master B50

Spec# 2810 G5-1 + 281G5-2

INDEX NO.	PART NUMBER	PART NAME	QUAN. PER ASSEMBLY				
			Spec. No. 2810G5.2	Spec. No. 2810G5.1			
(A)	M11148G5	<u>Motor, Pump and Burner Head Assembly</u>	1	1			
(B)	M12428G3	<u>Burner Head Assembly</u>	1	1			
1	M11054-1	. Nozzle, Siphon	1	1			
2	M10659-1	. Washer, Nozzle seal	2	2			
3	M10809-1	. Spring, Nozzle seal	1	1			
4	M8882	. Sleeve	1	1			
5	M10837	. Plug, Hex head	1	1			
6	M10992-1	. Screw, Adjusting	1	1			
7	M10993-1	. Spring, Pressure relief	1	1			
8	M8940	. Ball, 1/4 dia.	1	1			
9	M12461-54	. Screw, Hex hd, No. 10-24 x 7/8	**2	2			
10	M12576	. Body, Valve	1	1			
11	M12577	. Gasket	1	1			
12	*M9942G3	. Filter Element (output)	1	1			
13	M12578	. Filter, Lint	1	1			
14	*M10962-2	. Spark Plug	1	1			
15	M14525	. Electrode Retainer	1	1			
16	M12273	. Body, Burner head	1	1			
17	M10908-38	. Screw, Self-tapping, hex hd No. 12-24 x 3/8 type "S"	**1	1			
18	*M10718-1	. O-Ring	1	1			
19	M14266G1	. Fuel Filter	1	1			
20	ROP12-8	. Roll Pin, 3/16 x 1/2	**4	4			
(C)	M12429G1	<u>Motor & Pump Assembly</u>	1	1			
21	FHPF3-8C	. Screw, Fil hd, No. 10-32 x 1	**4	4			
22	M12430	. End Cover, Pump	1	1			
23	FHPF3-4C	. Screw, Fil hd, No. 10-32 x 1/2	**2	2			
24	M8645	. Body, Pump	1	1			
25	M11959	. Rotor, Pump	1	1			
26	M11966-5	. Spring	1	1			
27	M8643	. Blade	4	4			
28	M11938	. Motor	1	1			
29	M8947	. End Shield, Motor front (service only)	1	1			
-	M8802-38	. Ball Bearing, Motor	1	1			
-	M15776	. Rotor and Shaft Assy	1	1			
-	M15777	. Shell and Stator, 115V, 60C	1	1			
30	M11265-1	Seal	1	-			
30	M13372	Seal	1	1			
31	FHF3-20C	Screw, Fil hd, No. 10-32 x 2-1/2	**2	2			
32	M15767G1	End Cap and Nose Cone Assy	-	1			
33	M12461-64	Screw, Hex hd, 1/4-20 x 5/8	**2	2			
34	WLI-4C	Lockwasher	2	2			
35	M10979G2	Combustion Chamber and Nose Cone Assembly	1	-			
35	M15770G1	Combustion Chamber	-	1			
35A	M15995	Plug Button	-	1			
36	HC4-10C	Screw, Round hd, 1/4-20 x 1-1/4	**2	2			
37	M10964-1	Clamp, Motor	4	4			
38	M13620	Spacer	2	2			
39	WLM-4C	Lockwasher, 1/4-inch	**2	2			
40	NPC-4C	Nut, Hex, 1/4-20	**2	2			
41	*M12431-2	Fan (20° Pitch)	1	1			
42	SFK-4-2	Setscrew, socket hd, cup pt. 1/4-28 x 1/4	**2	2			
43	M12461-64	Screw, Hex hd, 1/4-20 x 5/8	**2	2			
44	WLI-4C	Lockwasher, Int. tooth, 1/4 in.	**2	2			
45	M12427G1	Guard, Fan	1	1			
46	M10990-3	Bushing, Rubber	1	1			
47	WP-3C	Washer, Plain, 3/8 in.	**2	2			
48	M15823-26	Screw, Self-tapping, hex hd, No. 10-12 x 3/8, type "B"	**2	2			
49	M10816G15	Lead, Electrode	1	1			
50	M14291	Transformer	1	-			
50	M15063	Transformer	-	1			
51	M11143-1	Bushing, Strain relief	1	1			
52	M13942-4	Connector, Wire	2	2			
53	M10813G15	Cord, Service (extension)	1	1			
55	M11151-1	Cap, Filler neck	1	1			
56	M14246	Seal, Rubber	1	1			
57	M12424-2	Skirt, Tank	1	1			
58	M12416G2	Tank, Fuel	1	1			
59	*M11146-1	Element, Filter, intake	1	1			
60	M12749-25	Screw, Fil hd, No. 10-24 x 1/2	**2	2			
61	M10747-1	Body, Filter	1	-			
61	M14785	Body, Filter	-	1			
62	M10257-2	Gasket, Intake Filter	1	1			
63	WLI-2C	Lockwasher	**2	2			
64	RC2-2C	Screw, Round hd, No. 8-32 x 1/4	**2	2			
65	M9900G37	Wire Assembly, Black	1	2			
66	M12462-2	Relay	1	1			
67	M10908-51	Screw, Hex hd, type "S" No. 10-24 x 1/2	**2	2			
68	M12433	Bracket, Relay & Filter	1	1			
69	M13293	Grommet, Rubber	1	1			
70	M12432	Tube, Air Intake	1	1			
71	M12568	Cover, Filter	1	1			
72	M10908-2	Screw, Hex hd, No. 6- 32 x 3/8, type "S"	**1	1			
73	M12436G2	Housing, Heater	1	1			
74	M11292-1	Cap, Leg	2	-			
74	M15261	Cap, Leg	-	2			
75	M12461-55	Screw, Hex hd, No. 10-24 x 1	**4	4			
76	M11271-4	Nut, Tinnerman	**4	4			
77	M12488	Leg, Front and Rear	2	2			
78	M12655	Support, Leg	2	-			
78	M15406	Support, Leg	-	2			

DECALS AND PAINT

M11220-1	Decal, Operation Instr.	1	1
M13369-2	Decal, Nameplate	1	-
M13369-3	Decal, Nameplate	-	1
M13368	Decal, Trade Name	1	1
M16262	Decal, Caution	-	1
M12634	Decal, Wiring Diagram	1	1
M15407	Decal, AtoMaster	-	1
M13386-4	Aerosol Can, Touch-up paint (Yellow)		
M13386-8	Aerosol Can, Touch-up paint (Black)		

OPTIONAL EQUIPMENT

M9044-3	Thermostat Kit		
---------	----------------	--	--