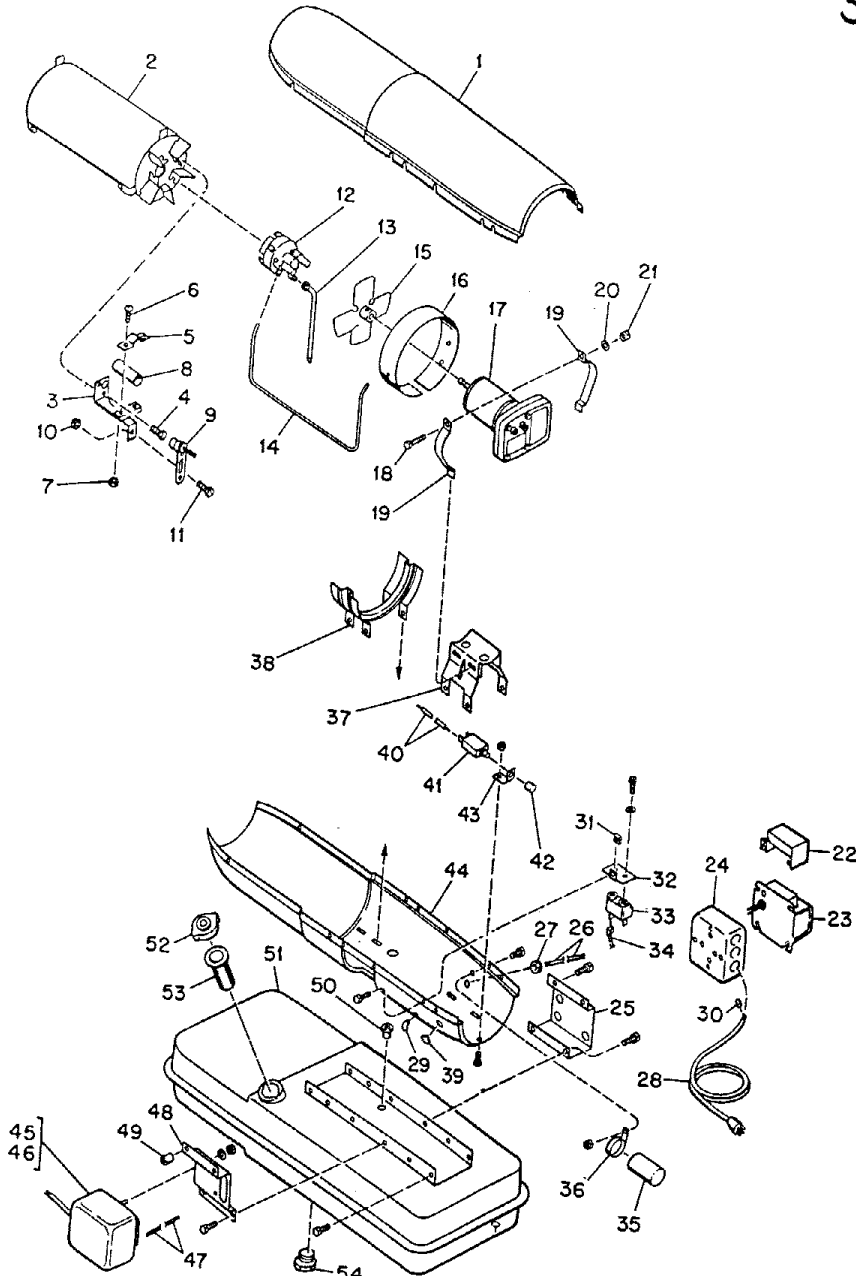
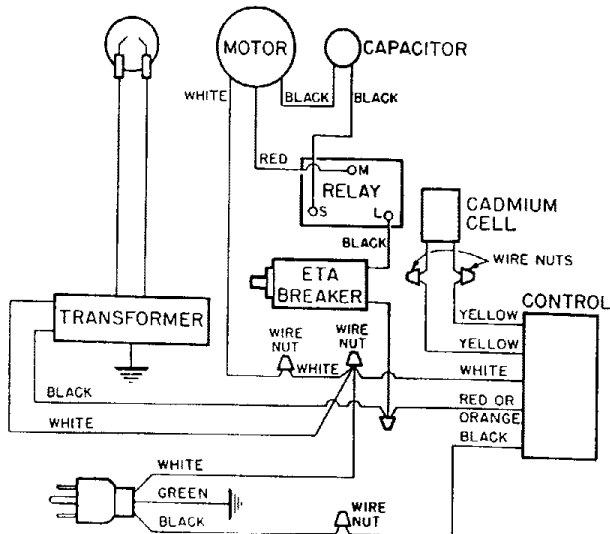


Form # 2832 4-72 MASTER

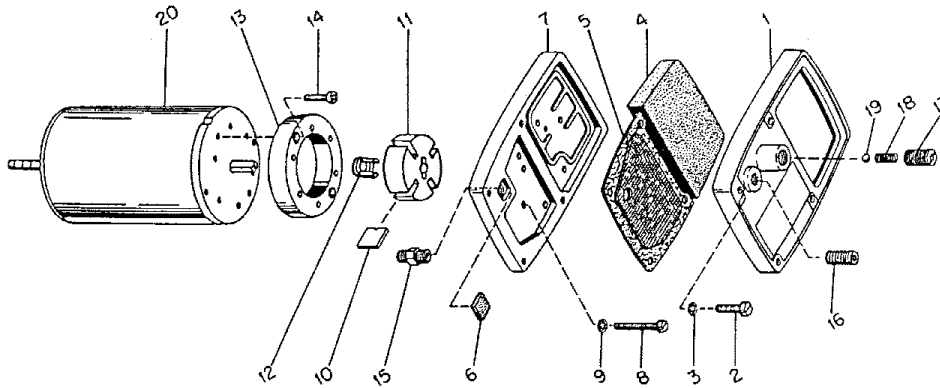
B99C
Spec # 3156401



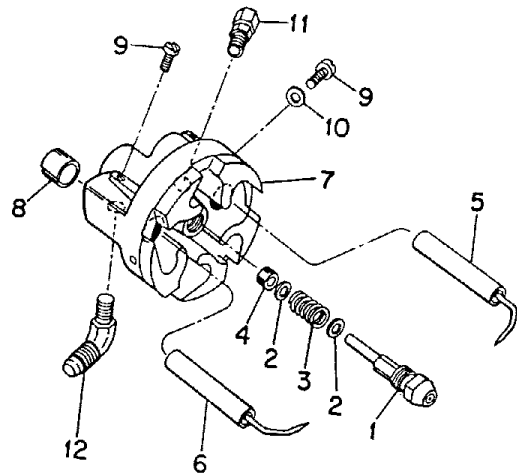
1	M13134-5A	Shell, Upper	1
-	M11084-27	Screw	6
-	M11271-6	Nut, Tinnerman	6
2	M11920-2	Combustion Chamber Assy	1
-	M11084-27	Screw (Combustion chamber attaching, front)	2
-	M11084-29	Screw (Combustion chamber and support bracket attaching, rear)	4
3	M21865-1A	Bracket, Photocell	1
4	M10908-1	Screw, Photocell bracket attaching	2
5	M13963A	Clamp, Photocell	1
6	M12461-2	Screw, Clamp attaching	2
7	NTC-1C	Nut, Clamp attaching	2
8	M13962A	Tube, Photocell	1
9	M23802-3	Photo Cell	1
10	NTC-2C	Nut, Photocell attaching	1
11	M12461-14	Screw, Photocell attaching	1
12	Ref.	Burner Assembly (See Fig. 5)	1
13	M13846-2	Fuel Filter Assembly	1
14	M11943	*Air Line	1
15	M9726	*Fan	1
-	SF4-2-1/2K	Setscrew, Soc. hd., knurled cup pt., 1/4-28	2
16	M12331A	Fan housing	1
-	M11084-27	Screw	4
17	Ref.	Motor Package Assy (See Fig. 6)	1
18	HC4-10C	Screw	2
19	M16661	Clamp, Motor	4
20	WLM-4	Lockwasher, 1/4 in.	2
21	NPC-4C	Nut, Hex	2
22	M24270	Cover, Terminal strip	1
23	M22012	Control, Safety	1
24	M24807	Box, Outlet	1
-	M16859-3	Wire	2
25	M12608A	Bracket, Mounting	1
-	M3486	Tubing, Varnish, Cable Assembly	1
26	M24802-1	Cable Assy	1
27	M3530	Grommet	2
28	M10813-41	Extension Cord Assy	1
29	M11954	Bushing, Strain relief	1
30	M15714-1	Connector, Set screw type	1
-	M18598-2	Relay and Bracket Assy	1
31	M11271-6	Nut, Tinnerman	1
-	M11084-27	Screw	1
32	M11952	Bracket, Relay mounting	1
33	M112462-5	Relay, Motor starting	1
-	RC2-3C	Screw, Rd. hd., (Relay to Bracket)	2
-	WLI-2	Washer, Lock, Internal tooth, No. 2	2
34	M9900-101	Wire Assy, Capacitor to Relay	1
35	M112650-2	Capacitor	1
36	M12651-1	Clamp, Capacitor (Tinnerman)	1
-	NEF-3C	Nut, No. 10-32 (ESNA)	1
-	M12461-27	Screw	1
37	M16646	Bracket, Motor Support	1
-	M11084-27	Screw	6
38	M12330A	Bracket, Shell Support	1
-	M11084-27	Screw	4



Master B99C Spec # 3156 G 01



	M18146-5	Motor Package Assembly	1
1	M16545	. End Cover	1
2	M12461-31	. Screw	4
3	WLI-3	. Lockwasher, Internal tooth, No. 10	4
4	M12179	. Filter, Intake	* 1
5	M12244-1	. Filter Assy	* 1
6	M11637	. Filter, Lint	* 1
7	M12233	. End Cover, Pump	1
8	M12461-32	. Screw	6
9	WLI-3	. Lockwasher, Internal tooth, No. 10	4
10	M8643	. Blade	4
11	M22456	. Rotor	1
12	M22009	. Insert	1
13	M8645	. Body, Pump	1
14	FHPF3-4C	. Screw	2
15	69248	. Elbow, Compression	1
16	M22997	. Pipe Plug	1
17	M23105	. Screw, Pressure adjusting	1
18	M10993-1	. Spring, Pressure relief	1
19	M8940	. Ball, 1/4 in. Dia.	1
20	M17941-3	. Motor	1
-	M19579	Kit, Motor and Relay Replacement	1
39	M8704-2	Plug, Button	1
40	M9900-86	Wire Assy, ETA to Relay	1
41	M9232	Circuit Breaker (Control, ETA)	1
42	M9230A	Guard, Reset Button	1
43	M12016A	Bracket, Circuit breaker mtg.	1
-	M12461-14	Screw (Bracket mounting)	1
-	NTC-2C	Nut, Hex, No. 8, Torque lock	1
44	M24309A	Shell, Lower	1
45	M13170	*Transformer	1
-	WLM-4	Lockwasher, 1/4 in.	2
-	NPC-4C	Nut, Transformer attaching	2
46	M13135-1	Sealer, Plastic	1
47	M10816-34	Electrode Lead Assy	2



-	M11929-1	Burner Assembly	*	1
1	M8667	. Nozzle, Siphon		1
2	M10659-1	. Washer, Nozzle seal		2
3	M10809-1	. Spring, Nozzle seal		1
4	M8882	. Sleeve		1
5	M8989	. Electrode, L. H.	*	1
6	M8990	. Electrode, R. H.	*	1
7	M8716G2	. Burner Head Assembly (Includes roll pins, bushings, and burner head casting)		1
8	M16712	. Bushing, Electrode		1
9	HF3-3C	. Screw, Hex hd.		3
10	WP-3C	. Washer, Flat		1
11	M5976	. Connector, Male		1
12	M11931	. Elbow, Male, 45°		1