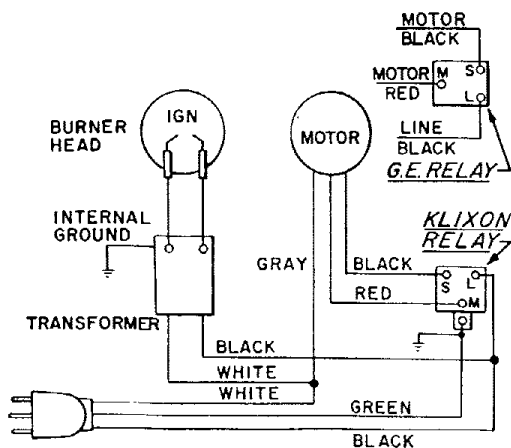
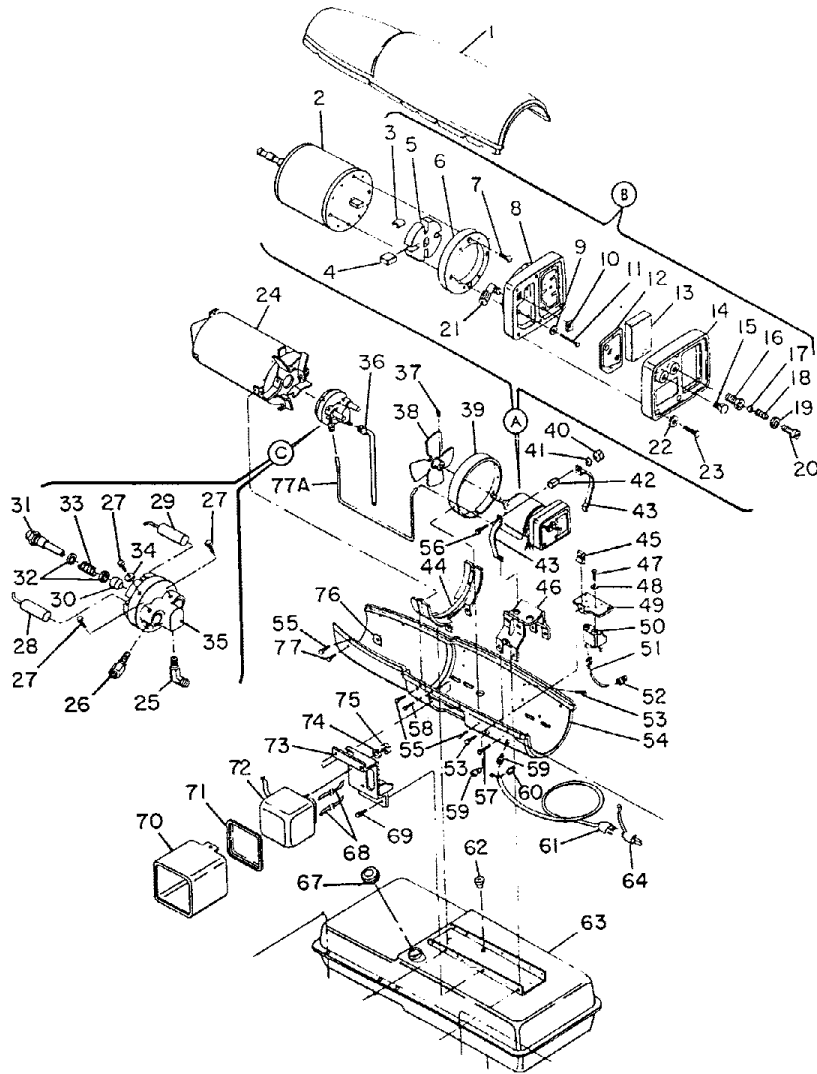


Master B99

Form # MV 1609



1	M13134G1	Shell, Upper	1
A	*M11937G1	Motor Package Assy	1
2	M11938	Motor	1
B	*M13614G1	Pump and Filter Parts Package	1
3	M11966-5	Spring	1
4	M8643	Blade	4
5	M11959	Rotor	1
6	M8645	Pump Body	1
7	FHPF3-4C	Screw, Fil hd, 10-32 x 1-1/8 in.	2
8	M12234	End Cover, Pump	1
9	WLI-3C	Washer	6
10	*M11637	Filter, Lint	1
11	M12461-32	Screw, Hex hd, 10-32 x 1-1/8 in.	6
12	*M12244G1	Filter Assy	1
13	*M12179	Intake Filter	1
14	M12234	End Cover	1
15	M10837	Pipe Plug	1
16	M10362	Connector	1
17	M8940	Ball, 1/4 dia	1
18	M8941	Spring, Compression	1
19	M8993	Hex Nut, 3/8-24	1
20	M11941	Bushing, Pressure adjustment	1
21	69248	Male Elbow	1
22	WLI-3	Lockwasher, Internal #10	4
23	M12461-31	Screw, Hex hd, 10-32 x 1 in.	4
24	M11920G1	Combustion Chamber	1
C	*M11929G1	Burner Assy	1
25	M11931	Elbow, Male, 45°	1
26	M5976	Connector, Male	1
27	HF3-3C	Screw, Hex hd, 10-32 x 3/8 in.	3
28	*M8989	Electrode, LH	1
29	*M8990	Electrode, RH	1
30	M8882	Sleeve	1
31	M8667	Nozzle	1
32	M10659-1	Washer, Nozzle Seal	2
33	M10809-1	Spring, Nozzle Seal	1
34	WP-3C	Washer, Flat	1
35	M8716G2	Burner Head	1
36	M13846G1	Fuel Filter Assy	1
37	No Number	Setscrew, Socket hd, cup pt, 1/4-28	2
38	M14529	Fan	1
39	M12331	Fan Housing	1
40	NPC-4C	Nut, Hex, 1/4-20	2
41	WLM-4	Washer, Lock, 1/4	2
42	13620	Spacer	2
43	M10964-1	Clamp, Motor	4
44	M12330	Bracket, Shell Support	1
45	M11271-6	Nut, Tinnerman	1
46	M11942	Bracket, Motor Support	1
47	RC-2-3	Screw, Rd hd, 8-32 x 3/8 in.	2
48	WLI-2	Washer, Lock #8	2
49	M11952	Bracket, Relay Mounting	1
50	M12462-2	Relay	1
51	M9946G4	Wire Assy	1
52	M13942-4	Connector	1
53	M10908-51	Screw, 10-24 x 1/2 in.	4
54	M12328	Shell, Lower	1
55	M11084-27	Screw, 10-12 x 1/2, Type A	7
56	HC4-10C	Screw, 1/4-20 x 1-1/4	2
57	M10908-51	Screw, 10-24 x 1/2 in.	2
58	M10908-53	Screw, 10-24 x 3/4 in.	4
59	M11954	Bushing, Strain Relief	2
60	M13942-4	Connector	1
61	M10813G1	Extension Cord Assy	1
62	M10990-3	Bushing	1
63	M12321G1	Fuel Tank Assy	1
64	M9050	Adapter	1
65	M13990	Plug	1
66	M10908-51	Screw, 10-24 x 1/2 in.	8
67	M3353	Cap, Fuel Tank	1
68	M10816G11	Lead Assembly, Electrode	2
69	M10908-51	Screw, 10-24 x 1/2 in.	4
70	M12510	Cover, Transformer	1
71	M12511	Cover, End	1
72	*M3259-4	Transformer	1
73	M12332G1	Mounting Bracket Assy	1
74	WLM-4	Lockwasher, 1/4 in.	2
75	NPC-4C	Nut, Hex, 1/4-20	2
76	M11271-6	Nut, Tinnerman	6
77	M10908-51	Screw, 10-24 x 1.2 in.	2
77A	*M11943	Air Line	1