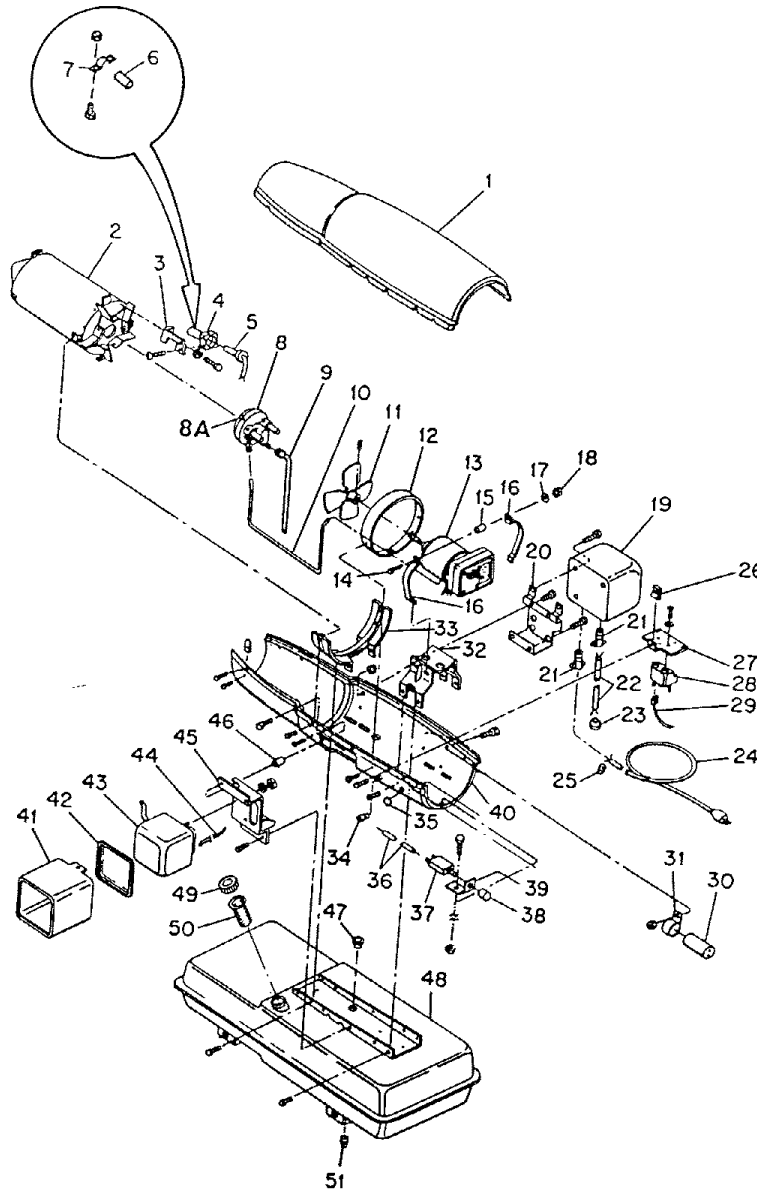
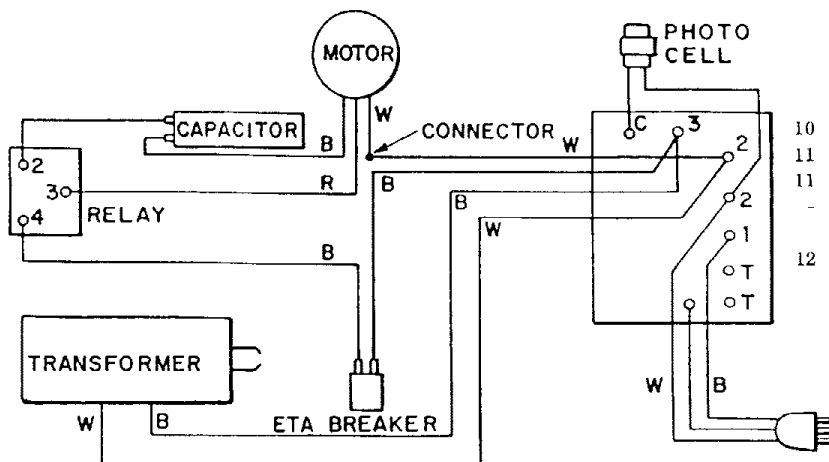


Master B99c - B98c



1	M13134G2	Shell, Upper		1
-	M12461-51	Screw (Upper shell to lower shell)		6
-	M11084-27	Screw	A	6
-	M11271-4	Nut, Tinnerman (Upper shell to lower shell)	BC	6
-	M11271-6	Nut, Tinnerman	A	6
-	M11271-6	Nut, Tinnerman	BC	6
2	M11920G2	Combustion Chamber Assy		1
-	M10908-51	Screw (Combustion chamber attaching, front)	A	2
-	M11084-27	Screw (Combustion chamber attaching, front)	BC	2
-	M10908-52	Screw (Combustion chamber and support bracket attaching, rear)	A	4
-	M11084-29	Screw (Combustion chamber and support bracket attaching, rear)	BC	4
3	M12017	Bracket, Photo Cell Mounting	A	1
3	M13961	Bracket, Photo Cell Mounting	BC	1
-	WLI-1	Lockwasher, No. 6	A	2
-	M10908-1	Screw (Photo Cell mounting bracket to combustion chamber)		2
4	M11856	Block, Photo Cell Mounting	A	1
-	RC1-2C	Screw (Block to mounting bracket)	A	1
5	M9211	Photo Cell	A	1
5	M9211-1	Photo Cell	BC	1
6	M13962	Tubing, Photocell	BC	1
7	M13963	Clamp, Photocell	BC	1
-	NTC-1C	Nut, Torque Lock, No. 6-32	BC	2
-	M12461-2	Screw	BC	2
8	Ref.	Burner Assembly (See Figure 5)		1
8A	Ref.	Screw (Burner to Combustion Chamber)		-
9	M11932G1	Fuel Filter Assembly (Superseded by M13846G1. Part No. M11932G1 requires use of M10990-1 Bushing, Index No. 47, having 19/32 in. dia. hole.)	A	1
9	M13846G1	Fuel Filter Assembly (Supersedes M11932G1. Part No. M13846G1 requires use of M10990-3 Bushing, Index No. 47, having 3/8 in. dia. hole.)	BC	1
10	M11943	Air Line	*	1
11	M9726	Fan	*AB	1
11	M12464	Fan	*C	1
-	SF4-2-1/2K	Setscrew, Soc. hd, knurled cup pt., 1/4-28		2
12	M12331	Fan Housing		1
	M11084-27	Screw		4



Master B99c - B98c

14	HC4-10C	Screw		2	-	M11084-27	Screw	BC	6
15	M13620	Spacer, Motor Clamp		2	33	M12330	Bracket, Shell Support		1
16	M10964-1	Clamp, Motor	AB	4	-	M10908-51	Screw (Shell Support		
16	M16661	Clamp, Motor	C	4			Bracket to lower shell		
17	WLM-4	Lockwasher, 1/4 in.		2			and fuel tank)	A	4
18	NPC-4C	Nut, Hex		2		M11084-27	Screw	BC	4
19	M12013	Penn Control		1	34	M11954	Bushing, Strain Relief		1
-	M10908-51	Screw (Penn Control to			35	M15995	Plug Button	BC	1
		mounting bracket;			36	M9900G33	Wire Assy (ETA Control		
		mounting bracket to					Circuit Breaker to Relay)		1
		fuel tank assembly)		5	37	M9232	Circuit Breaker (Control,		
19	M12013	Penn Control		1			ETA)		1
-	M10908-51	Screw, (Penn Control to			38	M9230	Guard, Reset Button		1
		mounting bracket; mount-			39	M12016	Bracket, Circuit breaker		
		ing bracket to fuel tank					mounting		1
		assembly)		5	-	M12461-13	Screw (Bracket mounting)		1
20	M13156G1	Mounting Bracket Assembly		1	-	NTC-2C	Nut, Hex, No. 8, Torque		
-	M12461-51	Screw (Mounting Bracket to					lock		1
		Lower Shell)		2	40	M12609	Shell, Lower		1
-	NEC-3C	Nut, No. 10-24 (ESNA)		2	41	M12510	Cover, Transformer	AB	1
21	1001349	Connector, Straight, clamp			42	M12511	End Cover	AB	1
		type (Wire assemblies to			43	M13170	Transformer	*AB	1
		Penn Control)		3	43	M13170	Transformer	*C	1
22	M5845G21	Cable Assy		1	-	WLM-4	Lockwasher, 1/4 in.		2
	69321-40	Connector, Butt		1	-	NPC-4C	Nut, Hex, 1/4-20		2
23	M3530	Grommet		2	44	M10816G13	Electrode Lead Assembly	*AB	2
24	M10813G3	Extension Cord Assy	C	1	44	M10816G34	Electrode Lead Assembly	*C	2
24	M10813G2	Extension Cord Assy	AB	1	45	M12332G1	Transformer Mounting		
25	M15714-1	Connector, Set Screw Type		1			Bracket Assy		1
-	M11953G1	Relay and Bracket Assy	AB	1	-	M11084-27	Screw (Transformer		
-	M18598G2	Relay and Bracket Assy	C	1			bracket attaching)		2
26	M11271-4	Nut, Tinnerman (Relay			-	M11084-29	Screw (Transformer		
		and Bracket Assy to					bracket attaching)		2
		Outer Shell)	A	1	46	M13042	Spacer		2
26	M11271-6	Nut, Tinnerman	BC	1	47	M10990-1	Bushing (with 19/32 in. dia.		
-	M12461-51	Screw (Relay and Bracket					hole, for use with M1932G1		
		to Outer Shell)	A	1			Filter)	A	1
-	M11084-27	Screw	BC	1	47	M10990-3	Bushing (with 3/8 in. dia.		
27	M11952	. Bracket, Relay mounting		1			hole, for use with		
28	M11951	. Relay, Motor starting (Used					M13846G1 Filter)	BC	1
		with M11938-3 Motor)	*AB	1	48	M12377G2	Fuel Tank Assy (Uses		
28	M12462-5	. Relay, Motor starting (Used	*C	1	48	M12321G1	M3353 Cap)	A	1
		with M17941-3 Motor)					Fuel Tank Assy (Uses		
-	RC2-3C	. Screw, Rd. hd., (Relay			48	M12321G3	M3353 Cap)	B	1
		to Bracket)		2	48		Fuel Tank Assy (with		
-	WLI-2	. Washer, Lock, Internal					large filler neck; uses		
		tooth, No. 2		2			M18051 Cap and		
29	M9900G32	Wire Assy, Capacitor		1	49	M3353	M18053 Filter screen)	C	1
		to Relay			49	M18051	Cap, Fuel Filler	AB	1
30	M12650-2	Capacitor		1			Cap, Fuel Filler (for		
31	M12651-1	Clamp, Capacitor (Tinnerman)		1			large filler neck opening)	C	1
-	NEF-3C	Nut, No. 10-32 (ESNA)		1	50	M18053	Screen, Filter	C	1
-	M12461-27	Screw		1	51	M8257	Plug (Fuel Tank Drain)	A	1
32	M11942	Bracket, Motor Support	AB	1	51	M13990	Plug, Pipe, 1/4 in.,		
32	M16646	Bracket, Motor Support	C	1			Sq. hd. (Fuel tank drain)	BC	1
-	M10908-51	Screw (Motor Support					OPTIONAL EQUIPMENT		
		Bracket to lower Shell							
		and fuel tank)	A	6		M16141	Kit, Thermostat		