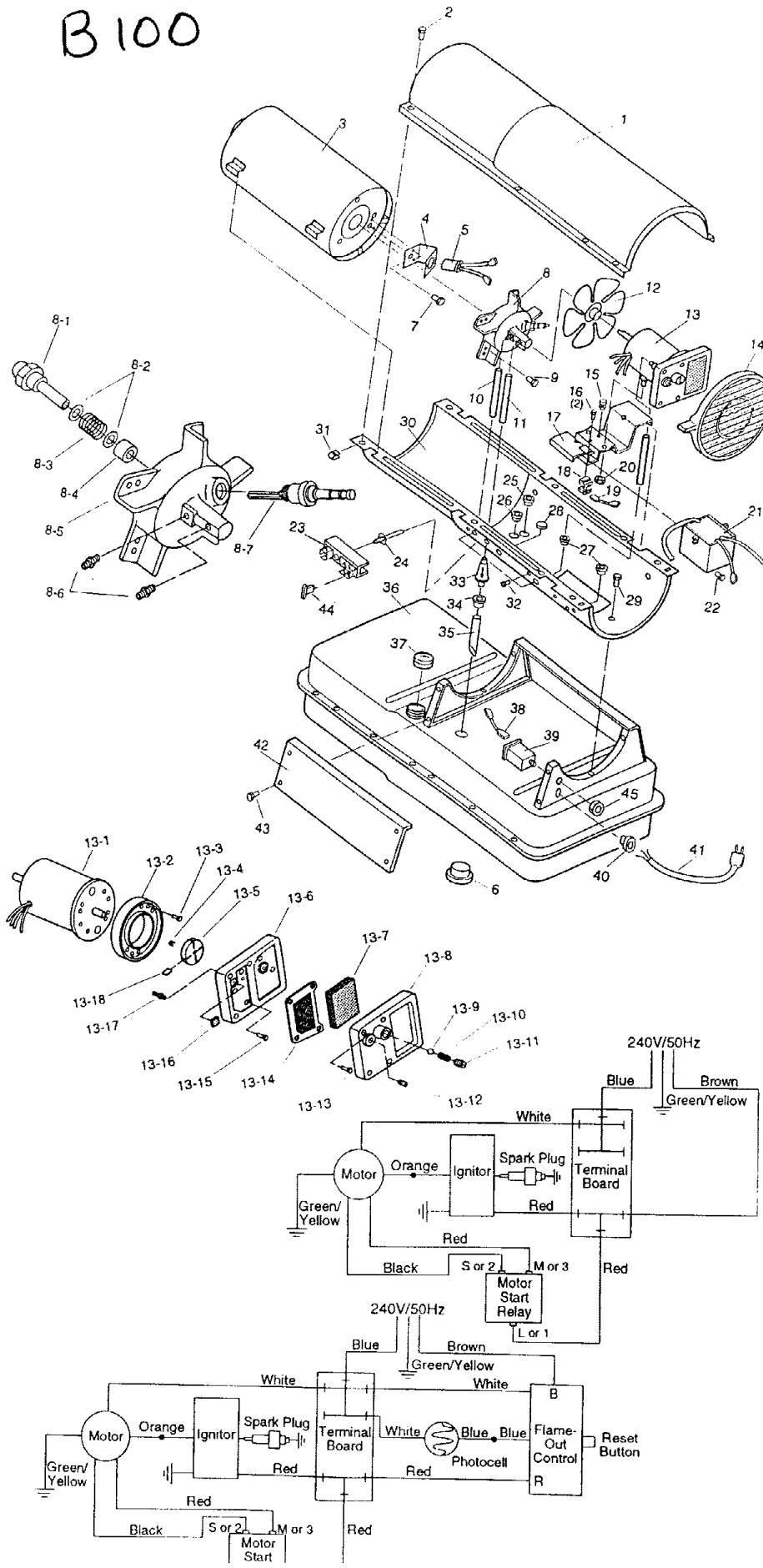


MASTER B100



NO.	NUMBER	DESCRIPTION	QTY
1	098511-61	Upper Shell	1
2	M15823-27	Screw, #10-16 x 1/2"	6
3	098512-07	Combustion Chamber	1
4	M16660	Photocell Bracket ▲	1
5	HA3019	Photocell Assembly ▲	1
6	M27417	Drain Plug	1
7	M10908-2	Screw, #6-32 x 3/8" ▲	2
8	**	Burner Head Assembly	1
8-1	M23103	Nozzle	1
8-2	M10659-1	Nozzle Seal Washer	2
8-3	M10809-1	Nozzle Seal Spring	1
8-4	M8882	Nozzle Seal Sleeve	1
8-5	M50924-03	Burner Head Body	1
8-6	M50820-02	Barb Fitting	2
8-7	M10962-2	Spark Plug	1
9	M11084-27	Screw, #10-16 x 1/2"	3
10	M50814-06	Air Line	1
11	M51345-01	Fuel Line	1
12	097293-01	Fan	1
13	**	Motor and Pump Assembly	1
13-1	098783-02	Motor (230V/50Hz)	1
13-2	079975-01	Pump Body	1
13-3	FHPF3-2C	Screw, #10-32 x 1/4"	2
13-4	M22009	Insert	1
13-5	M22456-1	Rotor	1
13-6	M50545	End Pump Cover	1
13-7	M12179	Intake Filter	1
13-8	M16545	End Filter Cover	1
13-9	M8940	Steel Ball (1/4" Dia.)	1
13-10	M10993-1	Pressure Relief Spring	1
13-11	M27694	Adjusting Screw	1
13-12	M22997	Plug	1
13-13	M12461-31	Screw, #10-32 x 1"	4
13-14	M12244-1	Output Filter	1
13-15	M12461-31	Screw, #10-32 x 1"	6
13-16	M11637	Lint Filter	1
13-17	M50820-02	Barb Fitting	1
13-18	M8643	Blade	4
14	M51114-01	Fan Guard	1
15	M50631	Rubber Bumper	2
16	M12461-13	Screw, #8-32 x 1/4"	2
17	098138-02	Motor and Relay Bracket Assembly	1
18	098136-04	Relay (motor start)	1
19	M16841-59	Wire Assembly (red 13 1/2")	1
20	NTC-4C	Hex locknut	2
21	098557-07	Electronic Ignitor	1
22	M11084-29	Screw, #10-16 x 3/4"	2
23	099125-02	Terminal Board	1
24	099157-01	Rivet	1
25	M30865-02	Bushing	1
26	M30865-02	Bushing ▲	1
27	M50104-02	Bushing	1
28	M30865-02	Bushing	1
29	M11084-27	Screw, #10-16 x 1/2"	6
30	098511-02	Lower Shell	1
31	M11271-8	Clip Nut	6
32	M15823-37	Screw, #8-18 x 1/4"	1
33	M51150-01	Fuel Filter	1
34	M10990-3	Rubber Bushing	1
35	M51151-01	Fuel Line	1
36	098513-35	Fuel Tank	1
37	097702-01	Fuel Tank Cap	1
38	M16841-57	Wire Assembly (red 8 1/2") ▲	1
39	097630-02	Flame-Out Control ▲	1
40	M11143-1	Strain Relief Bushing	1
41	M15779-27	Power Cord	1
42	097661-02AB	Side Cover	1
43	M11084-27	Screw, #10-16 x 1/2"	4
44	078918-01	Terminal Board Tab Cap	3
45	099177-01	Nut, 3/8-27 ▲	1
	M18053	Filler Neck Screen	1
	097650-01	Tradename Decal	1
	098234-26	General Information Decal	1

