

MASTER B 325 Spec # 3010G1 Form 1-70
2532-1

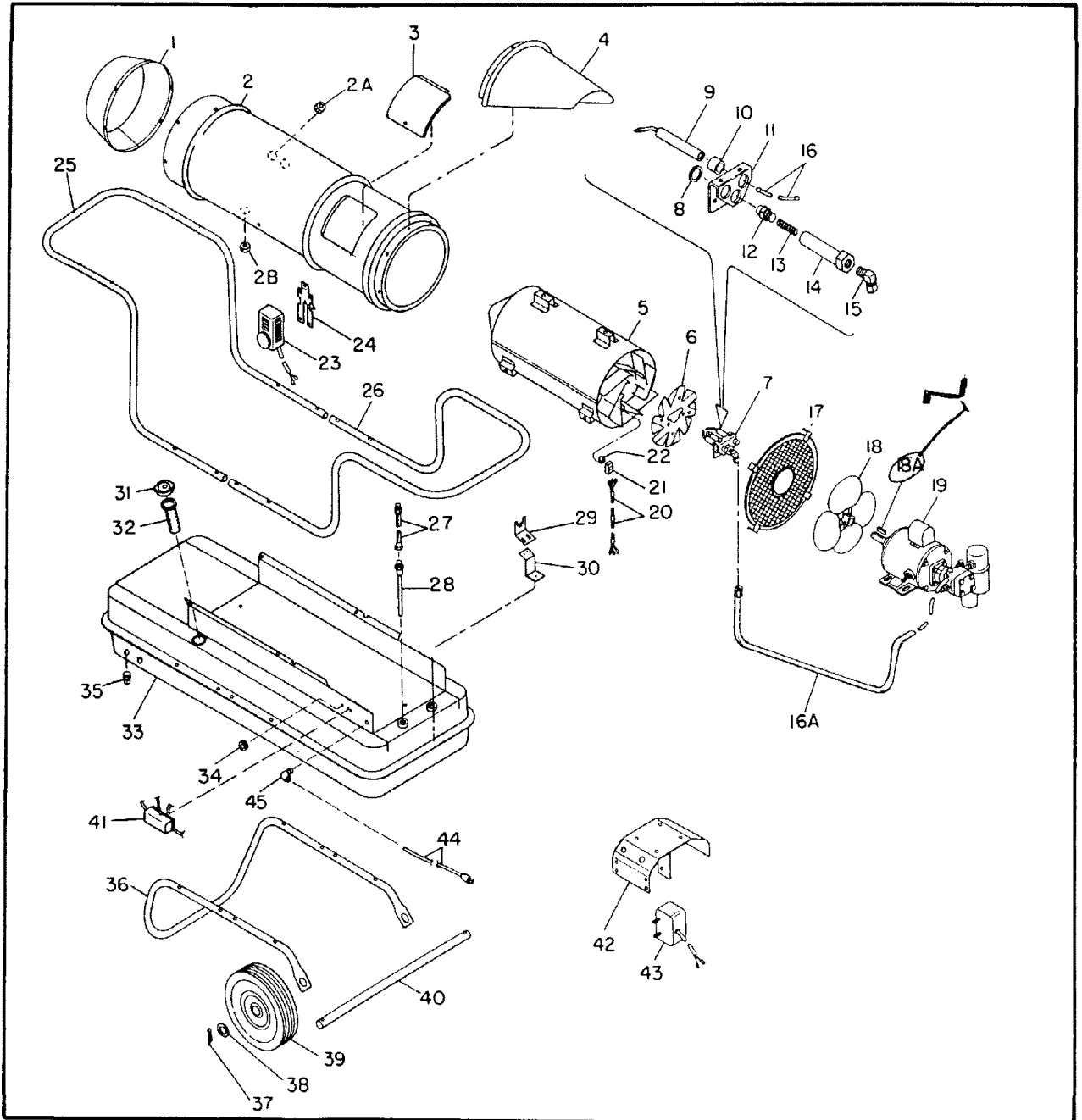
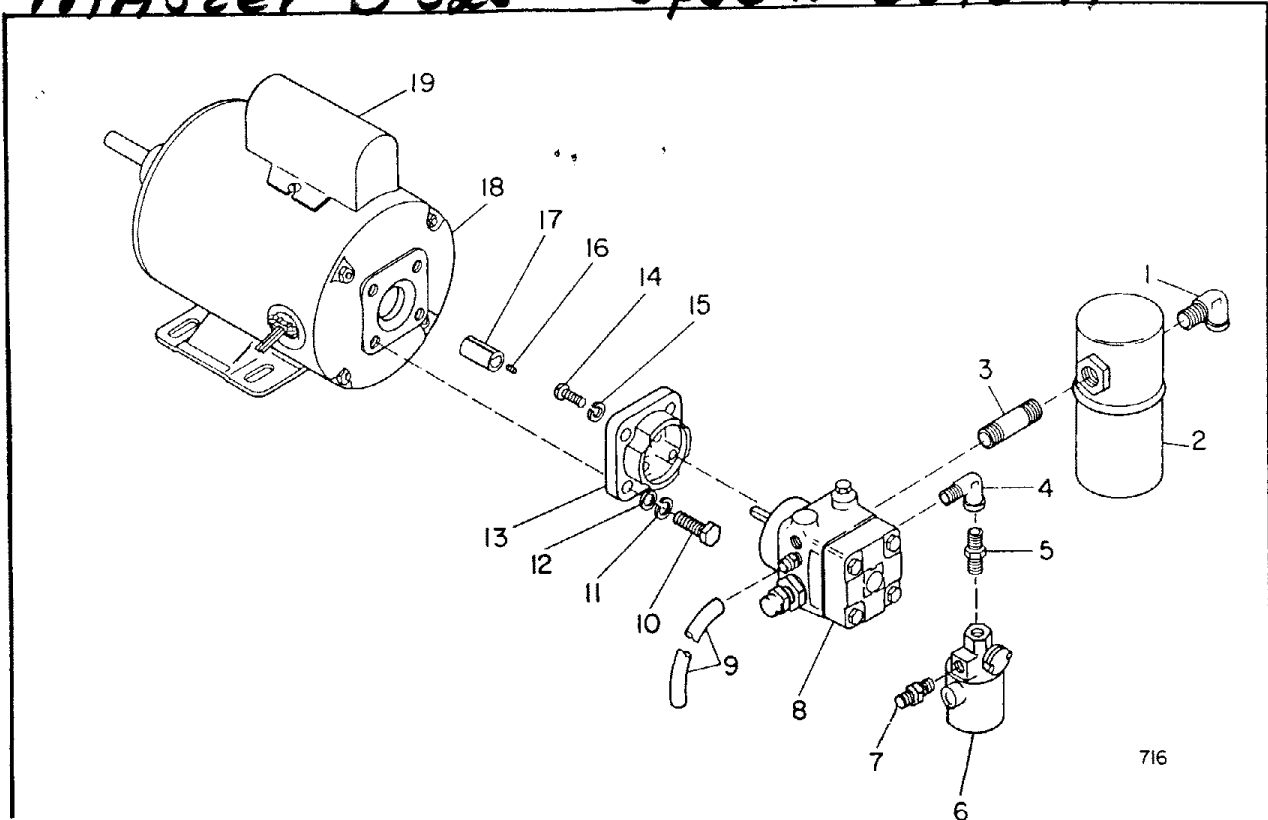


Figure 3. General Assembly, Exploded View

Master B 325 Spec # 301091



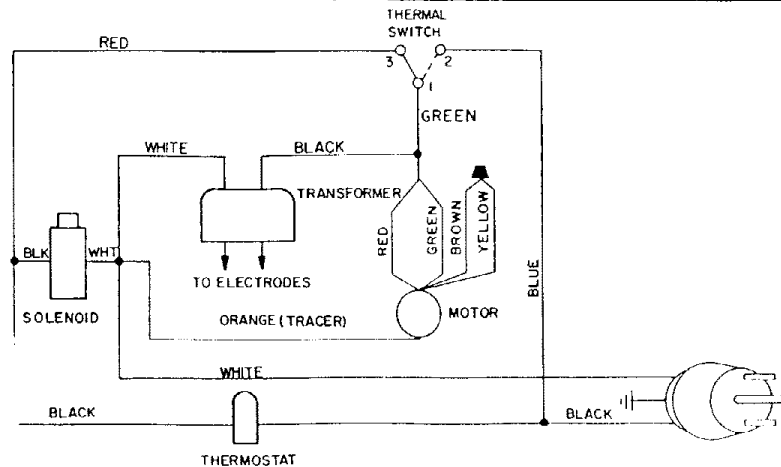
Index No.	Part Number	Description	Units Per Assy
	M18781-2	Motor and Pump Assembly (See 19, figure 3)	N. A.
1	57413*	Elbow, Street 1/4 in.	1
2	M3973	Filter (See figure 6)	REF
3	M17499-2*	Nipple, Pipe 1/4 x 2 in.	1
4	57379*	Elbow, Street, 1/8 pipe x 1/8 pipe	1
5	69246*	Nipple, Hex, 1/8 pipe to 1/8 pipe	1
6	M19527-3	Solenoid Assembly	1
7	1000513*	Fitting, Compression, tube	1
8	M18363	Pump	1
9	M14929-2	Fuel Line (Bleed)	1

N. A. - Not Available as an assembly. Order individual parts if required.
 * Standard hardware, obtainable locally.

Index No.	Part Number	Description	Units Per Assy
10	HCS-7C	Screw, Hex Hd., 5/16-18 x 3/4 in.	4
11	WLM-5C *	Washer, Lock, 5/16 in.	4
12	WP-5C *	Washer, Plain	2
13	M18365	Adapter	1
14	RF3-6 *	Screw, Round Hd., No. 10-32 x 3/4 in.	3
15	WLM-3 *	Washer, Lock, No. 10	3
16	M18436	Spring	1
17	M18366	Coupling	1
18	M18894-2	Motor	1
19	M12650-8	Capacitor, Motor Starting	1

A1966-01

Rev. 12/69



MASTER SPEC#300001

MODEL B-325 HEATER, GENERAL ASSEMBLY

Index No.	Part Number	Description	Units Per Assy	Index No.	Part Number	Description	Units Per Assy
1	M19519	Nose Cone	1		ST1-2BC	Screw, Rd Hd No. 6-18 x 1/4 in. (Thermostat to Bracket)	2
	M11084-27 *	Screw, No. 10-12 x 1/2 in. (Nose Cone to Outer Shell)	6				
2	M19512-1	Outer Shell	1	24	M18782	Bracket, Thermostat	1
	M11084-27 *	Screw, No. 10-12 x 1/2 in., Type A (Shell to Tank)	6		M11084-27 *	Screw, 10-12 x 1/2 in., Type A	2
	M12461-27 *	Screw, No. 10-32 x 1/2 in., Hex Slotted Head (Shell to Combustion Chamber)	6	25	M19516	Handle, Front	1
2A	1000576	Grommet	2	26	M19515	Handle, Rear	1
2B	M3530	Grommet	1		M12345-49 *	Screw, Oval Hd 10-24 x 2-1/4 in. (Handle to Fuel Tank)	8
3	M4812-3	Door, Access	1		NTC-3C	Nut, Torque Lock No. 10-24	8
	M11084-27 *	Screw, No. 10-12 x 1/2 in., Type A	1	27	M3334G4	Fuel Line Assembly	2
	M11271-6	Nut, Tinnerman	1	28	M18919-1	Fuel Intake Tube Assembly	2
4	M19608	Cowl	1	29	M19625	Bracket Support, Top	1
	M11084-28 *	Screw, No. 10-12 x 5/8 in., Type A (Cowl to Outer Shell)	5	30	M19623-1	Bracket Assembly, Support	1
	M11271-6	Nut, Tinnerman	2		M12461-26 *	Screw, Slotted Hex Head No. 10-32 x 3/8 (Bracket to Tank)	1
5	M19073-1	Combustion Chamber	1		NTF-3C	Nut, Torque Lock No. 10-32	1
6	M18768	Plate, Deflector	1		HF3-3C	Screw, Hex Hd No. 10-32 x 3/8 in. (Bracket to Bracket)	2
	M11084-27 *	Screw, No. 10-12 x 1/2 in., Type A (Deflector Plate to Combustion Chamber)	8		WLM-3	Washer, Lock No. 10	2
7	M19517-1	Nozzle and Electrode Adapter Assembly (Burner)	1	31	M18051	Cap, Fuel Filler Neck	1
8	M16741-18	Retaining Ring, Nozzle	1	32	M18053	Screen, Fuel Filler Neck	1
9	M3981	Electrode	2	33	M19509-2	Fuel Tank	1
10	M16712	Bushing, Electrode	2	34	1000576	Grommet (Mounting Bracket)	3
	M12461-14 *	Screw, No. 8-32 x 3/8 in. (Electrode Clamping)	2	35	M13990 *	Plug, Pipe, 1/4 in. Sq. Hd	1
11	M18775	Bracket, Nozzle	1	36	M18519	Frame, Wheel Support	1
12	M6296	Nozzle	1	37	C5-10C *	Pin, Cotter 5/32 x 1-1/4 in.	2
13	M4274	Spring	1	38	WP-10C	Washer, Flat, 5/8 in.	4
14	M18776	Adapter	1	39	M8111	Wheel	2
15	69248 *	Elbow	1	40	M18774	Axle	1
	M11084-27 *	Screw, No. 10-12 x 1/2 in., (Nozzle and Electrode Adapter Assembly to Burner)	2	41	M6016	Box, Junction	1
16	M10816G37	Electrode Lead	2		M5837	Cover, Junction Box	1
16A	M4849	Fuel Line (Pump to Nozzle)	1		M13942-2	Connector, Wire	1
17	M19068-1	Fan Guard	1		M13942-4	Connector, Wire	4
	M11084-28 *	Screw, No. 10-12 x 5/8 in., (Fan Guard to Outer Shell)	2		M3530	Grommet (Junction Box)	2
	M11271-6	Nut, Tinnerman (On Fan Guard)	2		1001349	Connector, Straight (In Junction Box)	1
18	M19458	Fan	1		HF3-4C	Screw, Hex Hd 10-32 x 1/2 in. (Junction Box to Fuel Tank)	2
18A	M18025	Key, Fan Locating	1		NTF-3C	Nut, Torque Lock 10-32	2
	1001349	Connector, Straight (Solenoid Leads)	1	42	M19513-1	Motor Bracket Assembly	1
	M3486-3	Tubing, Varnish (Solenoid Leads)	1		M11084-27 *	Screw, No. 10-12 x 1/2 in., Type A (Motor Bracket to Fuel Tank)	8
19	REF	Motor and Pump Assembly (See Figure 4)	REF	43	M19518-1	Transformer	1
	HC5-5C *	Screw, Hex Head 5/16-18 x 5/8 in. (Motor Mounting)	4		WLM-4C	Washer, Lock 1/4 in.	2
	NTC-5C *	Nut, Torque Lock 5/16-18	4	44	NPC-4C	Nut, Hex 1/4-20	2
20	M19520-1	Wiring Harness Assembly (To Thermal Switch)	1	45	M10813G12	Extension Cord Assembly	1
	M5895	Switch Thermal	1		M11954	Bushing, Strain Relief	1
	ST2-6 *	Screw, Rd Hd No. 8 x 3/4 in., Type A	2		M17137	Decal, Trade Name	1
22	M18867	Spacer	2		M19824	Decal, Nameplate and Operating Instructions	1
23	M17696	Thermostat Assembly (See Figure 5)	REF		M19521	Decal, Model Data	1
					M18740	Decal, Wiring Diagram	1
					M18196	Decal, Nameplate (Mfd By)	1
					M19259	Card, Prime Pump	1
					M16420	Decal, Caution	1

* Standard hardware, obtainable locally.