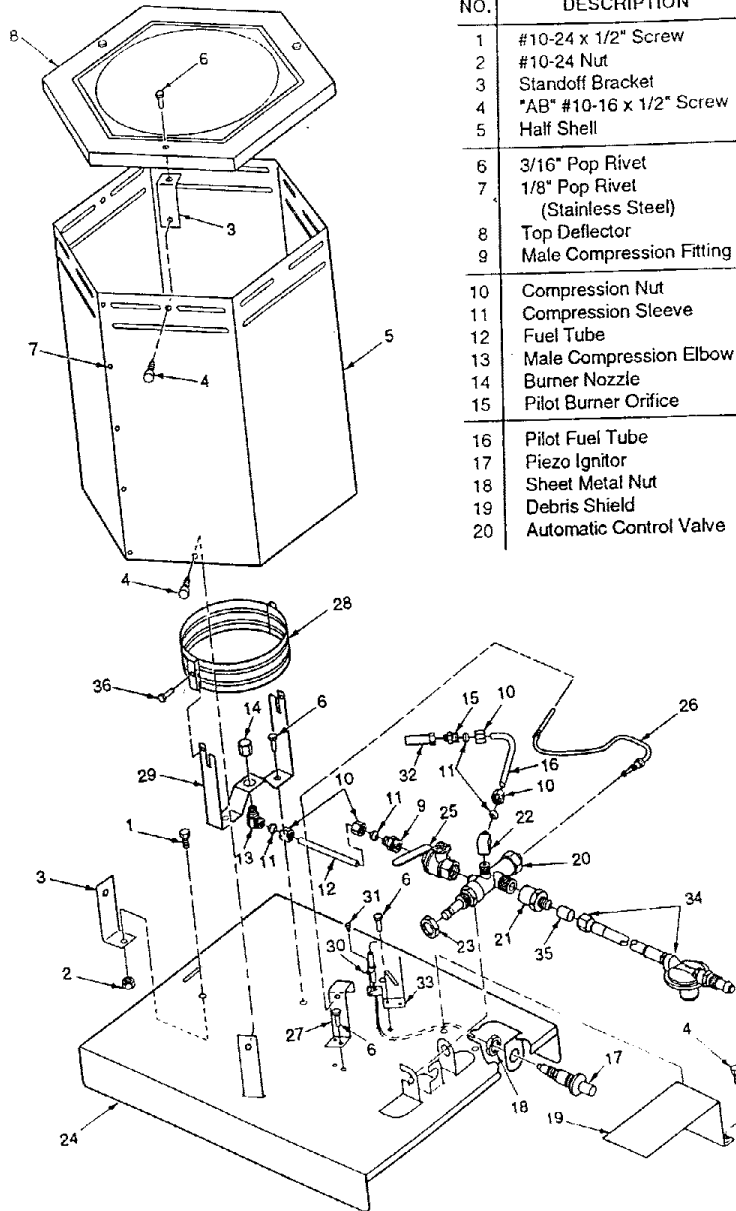


DAYTON PROPANE

Form # 5S3164

Model 4E237



REF. NO.	DESCRIPTION	PART NUMBER	QTY.	REF. NO.	DESCRIPTION	PART NUMBER	QTY.
1	#10-24 x 1/2" Screw	M12461-51	3	21	Female Connector	097157-01	1
2	#10-24 Nut	097384-01	3	22	Female Compression Elbow	098828-01	1
3	Standoff Bracket	097052-01	6	23	1/2"-28 Nut	098835-01	1
4	"AB" #10-16 x 1/2" Screw	M11084-27	8	24	Base	098824-01	1
5	Half Shell	098822-02	2	25	Manual Control Valve	097152-01	1
6	3/16" Pop Rivet	097187-01	7	26	Thermocouple	099236-01	1
7	1/8" Pop Rivet (Stainless Steel)	M50110-03	10	27	Thermocouple Bracket	097057-01	1
8	Top Deflector	098823-02	1	28	Burner Ring	098819-01	2
9	Male Compression Fitting	098827-01	1	29	Nozzle Bracket	098820-01	1
10	Compression Nut	M5787	4	30	Ignitor Electrode	097150-01	1
11	Compression Sleeve	M5788	4	31	#8-18 x 1/4" Screw	M11084-37	1
12	Fuel Tube	098826-01	1	32	Pilot Burner Assembly	097163-01	1
13	Male Compression Elbow	098825-01	1	33	Pilot Burner Bracket	097053-01	1
14	Burner Nozzle	097162-01	1	34	Regulator and Hose Assembly	LPA3000	1
15	Pilot Burner Orifice	097161-01	1	35	Sleeve Cap	078978-03	1
16	Pilot Fuel Tube	098829-01	1	36	3/16" Break Mandrel Rivet (Stainless Steel)	*	2
17	Piezo Ignitor	097159-01	1		Information Decal	099155-01	1
18	Sheet Metal Nut	098838-01	1	Δ	Operation Decal	098843-01	1
19	Debris Shield	LPA4010	1	Δ	Tradename Decal	099154-01	1
20	Automatic Control Valve	097155-01	1	Δ			

- 10' Rubber Hose with Brass Fitting U.L. listed. LPA1020
- 15' Rubber Hose with Brass Fitting U.L. listed. LPA1030
- Propane Gas Regulator U.L. listed. LPA2010
- Hose/Regulator Assembly U.L. listed. LPA3000
- Piezo Ignitor Kit For matchless ignition. LPA4000
- Fuel Gas Connector Connects regulator to all standard propane tanks. U.L. and A.G.A. listed. LPA4020
- Adjusting Regulator and Gauge Assembly Allows for reduced input operation where 275,000 BTU's are not needed. LPA2060

275,000