

Highway
AG 50S Spec # 3158604 Form # 2872

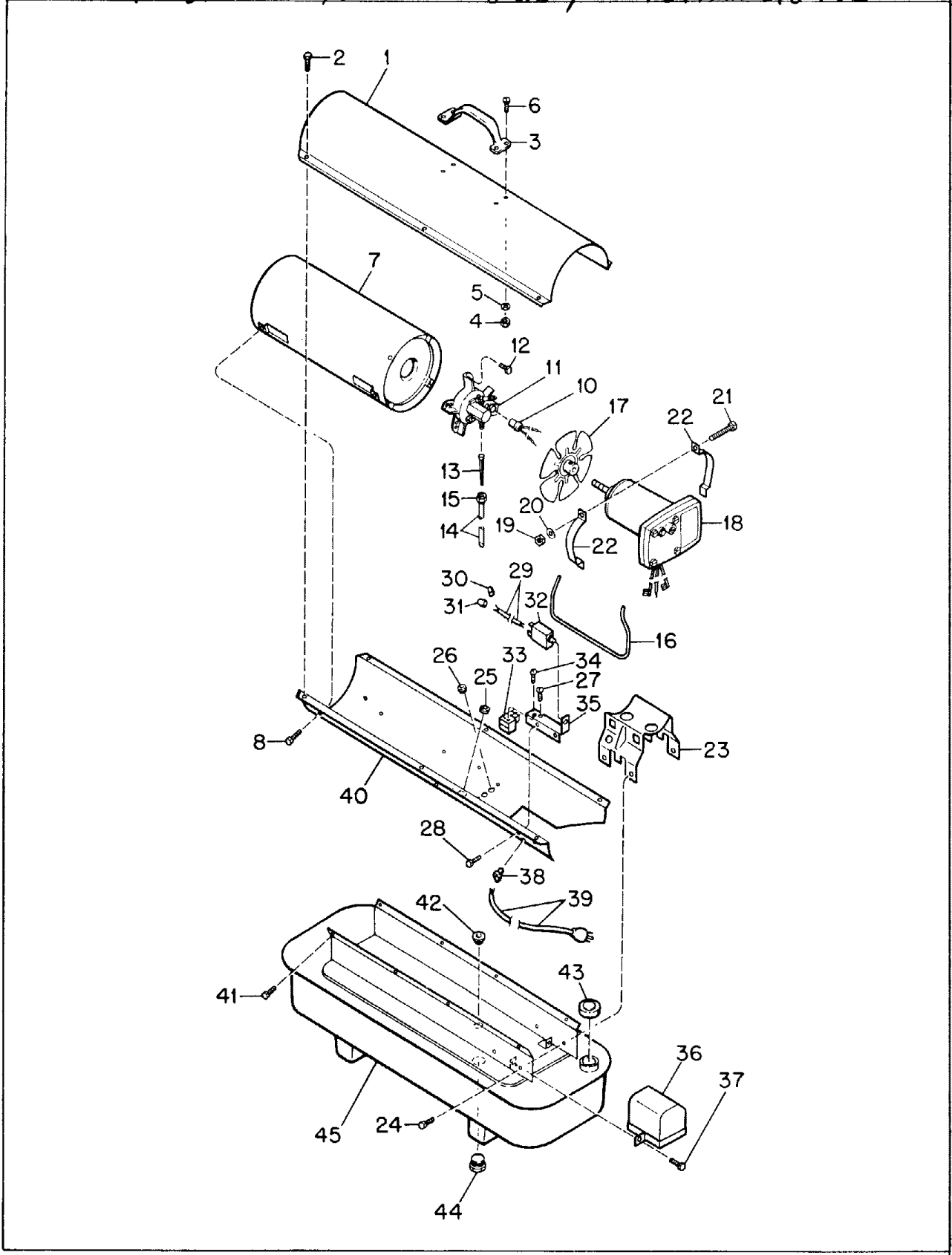


Figure 15. Portable Heater, Exploded View

AG50S

Spec # 315-8G04

SECTION VI PARTS LIST

This section lists and illustrates all of the replaceable parts of the heater.

To identify a part, find it on one of the illustrations, and note its index number. Then, in the parts list for that illustration, read across the line of that index number. You will find the part number of the part, its name or description and the quantity of the part used at that particular location. Attaching hardware is listed immediately after the part it attaches, and are noted by (AP) following the description. Standard hardware are indicated by the symbol

(*) and can be procured locally.

Order parts by name and part number only. Do not use the index numbers from the illustrations when ordering parts, as these index numbers are intended for your convenience in identifying parts in the list, and they may change from time to time as later editions of this book are issued.

When ordering parts for this heater, be sure to include the serial number and model number of the heater with your order. These can be found on the decal affixed to the heater.

Index No.	Part Number	Part Name	Qty.
1	M25030B	Shell, Upper	1
2	M12461-49	Screw, Hex hd, No. 10-24 x 1/2 (AP)	6
3	M21809	Handle	1
4	NTC-3C	Nut, Torque lock, No. 10-24 (AP)	4
5	WP-3C	Washer, Plain No. 10 (AP)	4
6	M12345-22	Screw, Oval hd No. 10-24 x 3/8 (AP)	4
7	M25019-1	Combustion Chamber Assy	1
8	M11084-26	Screw, Hex hd, Self-tapping, No. 10-12 x 3/8 in. (AP)	4
9		Deleted	
10	M16656-3	Photo Cell and Bushing Assembly	1
11	M23443-2	Burner Head Assembly (For details see Fig. 16)	NA
12	M11084-27	Screw, Hex hd, self-tapping No. 10-12 x 1/2 in. (AP)	3
13	M19630	Filter, Fuel	1
14	M16790-14	Tube, Fuel Filter	1
15	M13849	Nut, Flared	1
16	M25021	Air Line	1
17	M25037	Fan, 25/32 pitch	1
-	SF4-2-1/2K	Setscrew, Socket hd, cup point, 1/4-28 x 5/16 (Furnished with fan)	2
18	M25023-1	Motor Package Assembly (For details see Fig. 17)	NA
19	NPC-4C	Nut, Plain, Hex 1/4-20 (AP)	2
20	WLM-4	Lockwasher, 1/4 in. (AP)	2
21	HC4-10C	Screw, Hex hd 1/4-20 x 1-1/4 in. (AP)	2
22	M16661	Clamp, Motor	4
23	M25059	Bracket, Motor Support	1
24	M11084-27	Screw, Hex hd, self-tapping, No. 10-12 x 1/2 in. (AP)	4
25	1000576	Grommet	2
26	1000577	Grommet	1
27	ST2-2AC	Screw, Rd hd, No. 8-15 x 1/4 in. (Grounding)	1

Index No.	Part Number	Part Name	Qty.
28	M11084-26	Screw, Hex hd, self-tapping, No. 10-12 x 3/8 in.	2
29	M16841-15	Wire Assembly	2
29A	M16841-16	Wire Assembly	2
30	M13942-2	Connector, Wire	2
31	M13942-4	Connector, Wire	1
32	M24982-1	Control Assembly, Safety	1
33	M25061-1	Relay, Motor start	1
34	RC2-2C	Screw, Rd hd No. 8-32 x 1/4 in. (AP)	2
35	M25035	Bracket, Relay	1
36	M16697	Transformer Assembly	1
37	M11084-27	Screw, Hex hd, self-tapping No. 10-12 x 1/2 in.	2
38	M11143-1	Bushing, Strain relief	1
39	M10813-38	Extension Cord Assembly	1
40	M25032-1C	Lower Shell Assembly	1
41	M11084-26	Screw, Hex hd, self-tapping, No. 10-12 x 3/8 in (AP)	4
42	M10990-3	Bushing	1
43	M11151	Cap, Filler Neck	1
44	M25374-1	Plug Assembly, Drain	1
	M25375	O-Ring	1
	M25277	Plug, Drain	1
45	M25033-1C	Fuel Tank Assembly	1
	M16749	Decal, Safety Control	1
	M22898	Decal, Nameplate	1
	M22743	Decal, Warning	1
	M24687	Decal, Wiring	1
	M17159	Decal, Private Label	1
	M20451	Decal, BTU	1
	M23132-5	Decal, Model	1
	M14994	Decal, Tradename	1

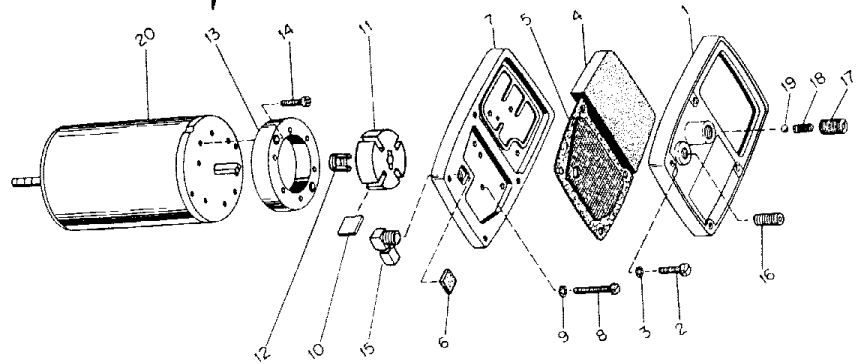
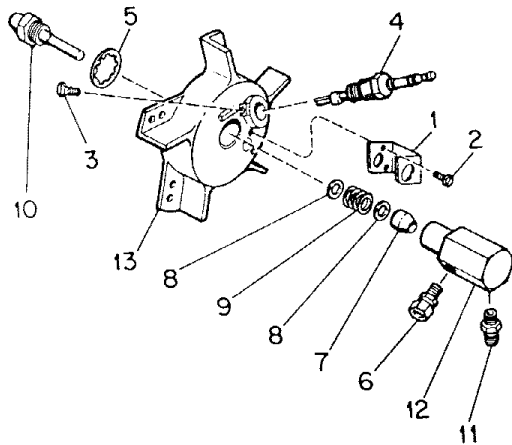
NA Indicates "Not Available.-- Order individual parts."

AP indicates "Attaching Parts".

AG50S Spec # 3158604

Motor Package Assembly

Burner Head Assembly



No.	Number	Part Name	Qty.
16-	M23443-2	Burner Head Assembly	Ref
1	M16660	Bracket, Photo Cell	1
2	*M10908-1	Screw, Hex hd, Self-tapping, No. 6-32 x 1/4 (AP)	2
3	M25923	Setscrew, Headless, cup pt., 1/4-20 x 5/16	1
4	M16895-1	Spark Plug	1
5	M16741-18	Ring, Retaining	1
	M23151-2	Nozzle Adapter Assembly	1
6	M5976	Connector, Male	1
7	M8882	Sleeve, Nozzle Seal	1
8	M10659-1	Washer, Nozzle Seal	2
9	M10809-1	Spring, Nozzle Seal	1
10	M13960	Nozzle, Aspirating	1
11	M16791	Connector, Male	1
12	M16535	Adapter, Nozzle	1
13	M25020	Body, Burner Head	1

No.	Number	Part Name	Qty.
17-	M25023-1	Motor Package Assembly	1
1	M16545	End Cover, Filter	1
2	*M12461-31	Screw, Hex hd No. 10-32 x 1 (AP)	4
3	*WLI-3	Lockwasher, Internal No. 10 (AP)	4
4	M12179	Intake Air Filter	1
5	M12244-1	Output Filter Assy	1
6	M11637	Filter, Lint	1
7	M12233	Front Cover, Pump (Port Plate)	1
8	*M12461-32	Screw, Hex hd, No. 10-32 x 1-1/8 (AP)	6
9	WLI-3	Lockwasher, Internal No. 10 (AP)	6
10	M8643	Blade, Pump	4
11	M22456-1	Rotor, Pump	1
12	M22009	Insert, Rotor	1
13	M8645	Pump Body	1
14	*FHPF3-4C	Screw (Pump Body to Motor)	2
15	69248	Elbow, 90°	1
16	M22997	Plug	1
17	M23105	Screw, Pressure Adjustment	1
18	M10993-1	Spring, Compression (Pressure Relief)	1
19	M8940	Ball 1/4 in. dia.	1
20	M25022-1	Motor	1

AP indicates attaching parts.
* Standard hardware. Purchase locally.

Wiring Diagram

