

Form # 2083 10/66

MODEL AG-50

Spec # 2810G9 2810G9-1

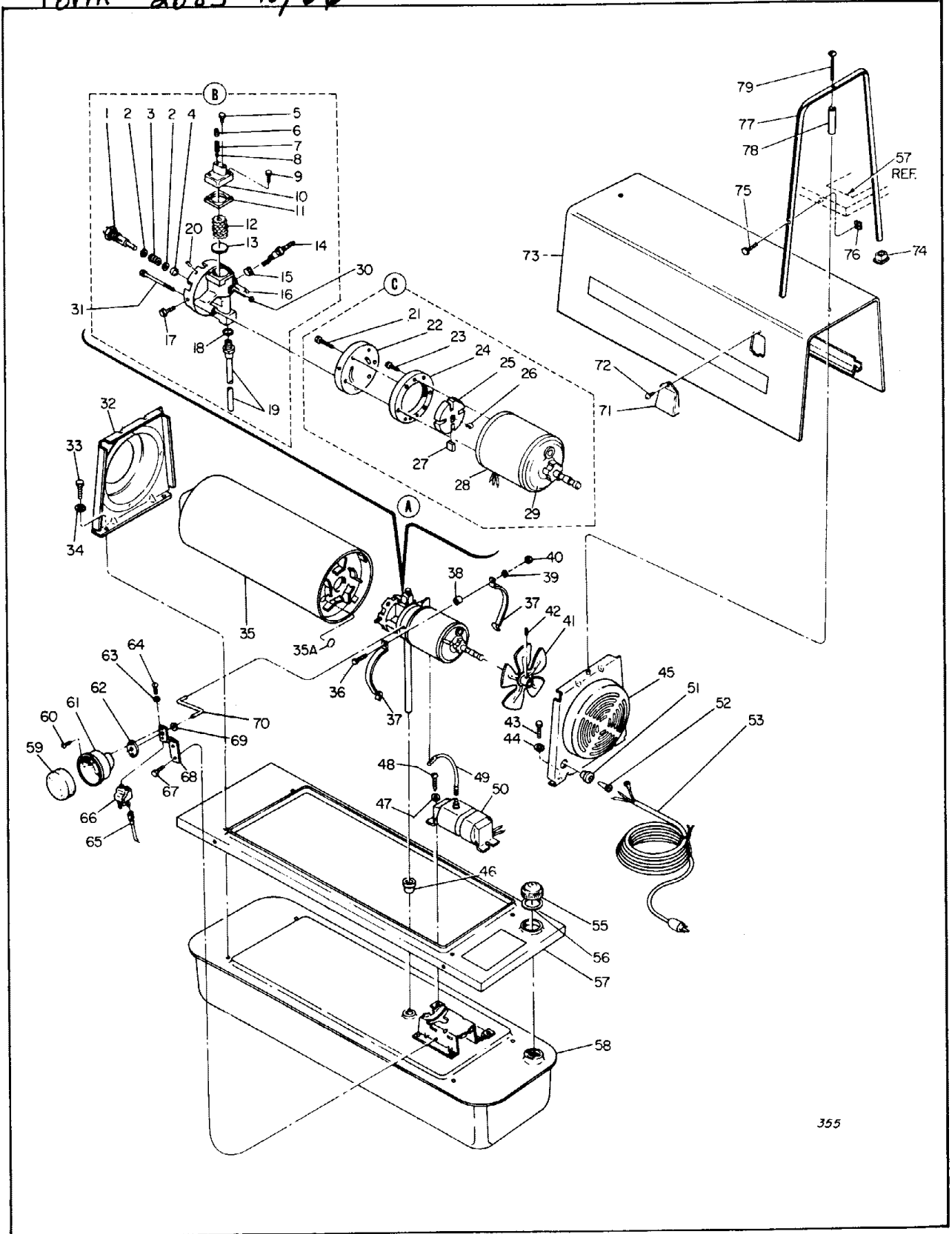


Figure 9. Exploded View, Model AG-50 Portable Heater

Form # 2083 10/66

Quan. per Assy

Index No.	Part Number	Part Name	Spec. No. 2810G9	Spec. No. 2810G9-1	Quan.
(A)	M11148G5	Motor, Pump and Burner Head Assy			1 1
(B)	M12428G3	Burner Head Assy			1 1
1	M11054-1	Nozzle, Siphon			1 1
2	M10659-1	Washer, Nozzle seal			2 2
3	M10809-1	Spring, Nozzle seal			1 1
4	M8882	Sleeve			1 1
5	M10837	Plug, Hex head			1 1
6	M10992-1	Screw, Adjusting			1 1
7	M10993-1	Spring, Pressure relief			1 1
8	M8940	Ball, 1/4 dia.			1 1
9	M12461-54	Screw, Hex hd, No. 10-24 x 7/8			**2 2
10	M12576	Body, Valve			1 1
11	M12577	Gasket			1 1
12	*M9942G3	Filter Element (output)			1 1
13	M12578	Filter, Lint			1 1
14	*M10962-2	Spark Plug			1 1
15	M14525	Electrode Retainer			1 1
16	M12273	Body, Burner head			1 1
17	M10908-38	Screw, Self-tapping, hex hd No. 12-24 x 3/8 type "S"			**1 1
18	*M10718-1	O-Ring			1 1
19	M14266G1	Fuel Filter			1 1
20	ROP12-8	Roll Pin, 3/16 x 1/2			**4 4
(C)	M12429G1	Motor & Pump Assembly			1 1
21	FHFP3-8C	Screw, Fil hd, No. 10-32 x 1			**4 4
22	M12430	End Cover, Pump			1 1
23	FHFP3-4C	Screw, Fil hd, No. 10-32 x 1/2			**2 2
24	M8645	Body, Pump			1 1
25	M11959	Rotor, Pump			1 1
26	M11966-5	Spring			1 1
27	M8643	Blade			4 4
28	M11938	Motor			1 1
29	M8947	End Shield, Motor front (service only)			1 1
-	M8802-38	Ball Bearing, Motor			1 1
-	M15776	Rotor and Shaft Assy			1 1
-	M15777	Shell and Stator, 115V,			
30	M11265-1	Seal			1 -
30	M13372	Seal			- 1
31	FHF3-20C	Screw, Fil hd, No. 10-32 x 2-1/2			**2 2
32	M15767G1	End Cap and Nose Cone Assy			φ- 1
32	M12425G1	End Cap Assy			φ1 -
33	M12461-64	Screw, Hex hd, 1/4-20 x 5/8			**2 2
34	WLI-4C	Lockwasher			2 2
35	M10979G2	Combustion Chamber and Nose Cone Assembly			1 -
35	M15770G1	Combustion Chamber			- 1
35A	M15995	Plug Button			- 1
36	HC4-10C	Screw, Round hd, 1/4-20 x 1-1/4			**2 2
37	M10964-1	Clamp, Motor			4 4
38	M13620	Spacer			2 2
39	WLM-4C	Lockwasher, 1/4-inch			**2 2
40	NPC-4C	Nut, Hex, 1/4-20			**2 2
41	*M12431-2	Fan (20° Pitch)			1 1
42	SFK-4-2	Setscrew, socket hd, cup pt. 1/4-28 x 1/4			**2 2
43	M12461-64	Screw, Hex hd, 1/4-20 x 5/8			**2 2
44	WLI-4C	Lockwasher, Int. tooth, 1/4 in.			**2 2
45	M12427G1	Guard, Fan			φ1 1
46	M10990-3	Bushing, Rubber			1 1
47	WP-3C	Washer, Plain, 3/8 in.			**2 2
48	M15822-26	Screw Self-tapping, hex hd.			

