

Figure 3.
 General Assembly,
 Exploded View

Index No.	Part Number	Part Name	Qty.
4-	M23373-2	Motor and Pump Assembly	N/A
1	57413	Elbow, Street 1/4 in.	2
2	M3973	Filter, Fuel	1
	M4307	. Filter Can	1
	M3301-2	. Filter Gasket	1
	M3301	. Filter Element	1
3	M17499-1	Nipple	1
4	M22872-1	Pump, Fuel	1
5	69246	Nipple, Pipe, 1/8 in.	1
6	M29698-01	Valve, Solenoid	1
7	M5976	Connector, Male	1
8	*HC5-7C	Screw, Hex hd., 5/16-18 x 3/4 in.	4
9	*WLM-5C	Lockwasher, 5/16 in.	4
10	*WP-5C	Washer, Plain, 5/16 in.	4
11	M22348	Adaptor	1
12	*RF3-6	Screw, Rd. hd., No. 10-32 x 3/4 in.	3
13	WP-3C	Washer, Plain	3
14	M18436	Spring	1
15	M22873	Coupling	1
16	M23357-1	Motor	1
	M29694-01	Tubing, Varnish, Solenoid Leads	1
	1001349	Connector, Solenoid Leads	1

Figure 4.
 Motor & Pump
 Assembly

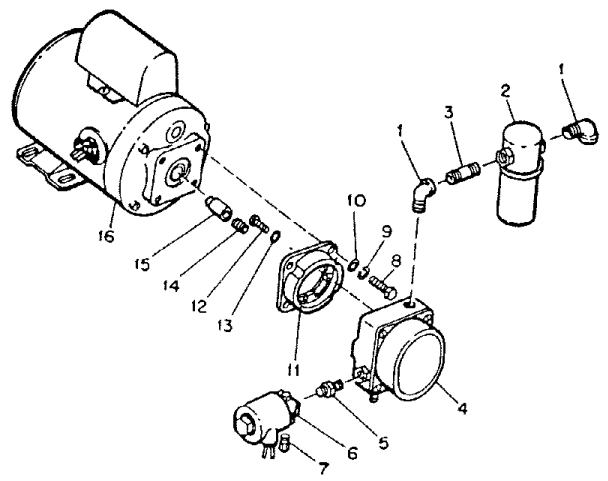
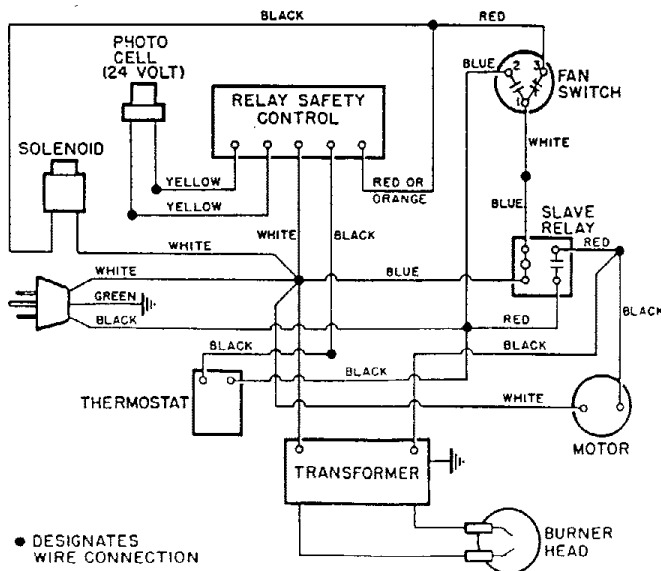


Figure 2. Wiring Diagram



ATOMASTER HIGH PRESSURE HEATER MODEL A300 Spec. No. 3206G05
Form No. 432

HEATER GENERAL ASSEMBLY, B300D

Index No.	Part Number	Part Name	Qty.	Index No.	Part Number	Part Name	Qty.
3-1	M18089AZ	Nose cone	1	23	M23373-2	Motor and Pump Assembly (See Figure 4 for details)	1
	M11084-27	Screw, No. 10-12 x 1/2 (Nose Cone to Outer Shell)	6		HC4-4C	Screw, 1/4-18 x 2 (Motor Mounting)	4
2	M18085AZ	Outer Shell	1		NTC-4C	Nut, Torque Lock 1/4-18	4
	M11084-27	Screw, No. 10-12 x 1/2 (Outer Shell to Tank)	6		WP-4C	Washer, Plain 1/4	4
3	M18087AZ	Cover, Outer Shell	1	24	M18877	Fuel Line, Pump to Nozzle	1
	M11084-27	Screw, No. 10-12 x 1/2 (Cover to Outer Shell)	6	25	M12461-2	Screw, 6-32 x 3/8 in.	2
	M11271-6	Nut, Tinnerman (Cover to Outer Shell)	6	26	M13963A	Clamp, Tube	1
4	M22905A	Support, Cover	1	27	M13962A	Tube, Photo cell	1
	M12461-26	Screw, No. 10-32 x 3/8 in. (Support to Outer Shell)	5	28	M25912-1	Photo cell	1
5	1000576	Grommet	4	29	M10908-1	Screw, 6-32 x 1/4 in.	2
6	M18915	Deflector, Heat Top	1	30	NPC-1C	Nut, Plain No. 6-32	2
	M12461-26	Screw, No. 10-32 x 3/8 in. (Outer Shell to Combustion Chamber)	6	31	M12461-24	Screw, 8-32 x 3/8 in.	1
7	M18773-3	Combustion Chamber	1	32	NTC-2C	Nut, Torque Lock No. 8-32	1
8	M18867	Spacer	2	33	M13961A	Bracket, Photo Cell	1
9	M5895	Switch, Thermal	1	34	M21329	Heat Deflector, Bottom	1
10	ST2-8BC	Screw, No. 8-15 x 1 (Thermal Switch attaching)	2	35	M19516A	Handle, Front	1
11	M23537	Plate, Deflector	1	36	M19515A	Handle, Rear	1
12	M18777-2	Nozzle and Electrode Adaptor Assembly	1		M12345-49	Screw, No. 10-24 x 2-1/4 (Handle to Fuel Tank)	8
13	M16741-18	. Retaining Ring, Nozzle	1	37	M27827-3	Transformer	1
14	M3981	. Electrode	2		WLM-4C	Washer, Lock 1/4 in.	2
15	M16712	. Bushing, Electrode	2		NPC-4C	Nut, Hex, 1/4-20	2
	M12461-14	. Screw, 8-32 x 3/8 (Electrode Clamping)	2	38	M19513-1BA	Motor Bracket Assembly	1
16	M18775	. Bracket, Nozzle	1		M11084-27	Screw, 10-12 x 1/2 in. (Motor Bracket Attaching)	6
17	M22626	. Nozzle	1	39	M3334-12	Fuel Line Assembly	2
18	M4274	. Spring	1	40	M18919-1	Fuel Intake Tube	2
19	M18776	. Adapter	1	41	M18298-2BA	Fuel Tank Assembly	1
20	69248	. Elbow	1	42	M18774	Axle	1
	M11084-27	Screw No. 10-12 x 1/2 (Adapter Mounting)	2	43	M18519A	Frame, Wheel Support	1
20A	M10816-33	Electrode Lead	2	44	WP-10C	Washer, Flat, 5/8 in.	4
20B	M27555	Fan	1	45	M50389	Wheel	2
21	M21964	Key, Fan Locating	1	46	C5-10C	Pin, Cotter, 5/32 x 1-1/4 in.	2
22	M23386-1AZ	Guard, Fan	1	47	M10813-58	Extension Cord	1
	M12461-25	Screw, Hex hd 10-32 x 1/4	4	48	M27570	Relay, Safety Control	1
	WLM-3C	Lockwasher No. 10	4		M3558	Connector, Wire	4
					M5187	Connector, Wire	3
51	1001349	Connector	2	49	M21686	Relay	1
52	M21786BA	Bracket, Switch box	1	50	M3011	Box switch	1
	M11084-27	Screw, No. 10-12 x 1/2 (Switch bracket to tank)	2		M12461-27	Screw, 10-32 x 1/2 (Box Attaching)	2
	WLI-3	Lockwasher No. 10	2		NTF-3C	Nut, Torque Lock, 10-32 (Box Attaching)	2
53	M25297-10	Thermostat Assembly	1	57	M18053	Screen, Filler neck	1
	RC1-3C	Screw, Rd. hd., 6-32 x 3/8 in.	2	58	M23284	Cap, Filler	1
	WLI-1	Washer Lock, No. 6	2		M21788-3	Wire Harness Assy.	1
	NPC-1C	Nut, Plain No. 6-32	2		M25912-3	Wire	1
54	M25121B	Bracket, Thermostat	1			DECALS	
	M11084-27	Screw, 10-12 x 1/2 (Bracket to Outer Shell)	2		M27571	Decal, Wiring	1
	WLI-3	Lockwasher, No. 10	2		M27561-5	Decal, Model	1
55	M5889	Grommet	1		M30853	Decal, Tradename	1
56	M8257	Plug, Pipe	1		M20532-1	Decal, Pump Pressure	1
					M18196	Decal, Mfg. By	1
					M22887	Decal, Operating Instructions	1
					M22743	Decal, Warning	1