

Figure 5. General Exploded View, Part 2 of 2

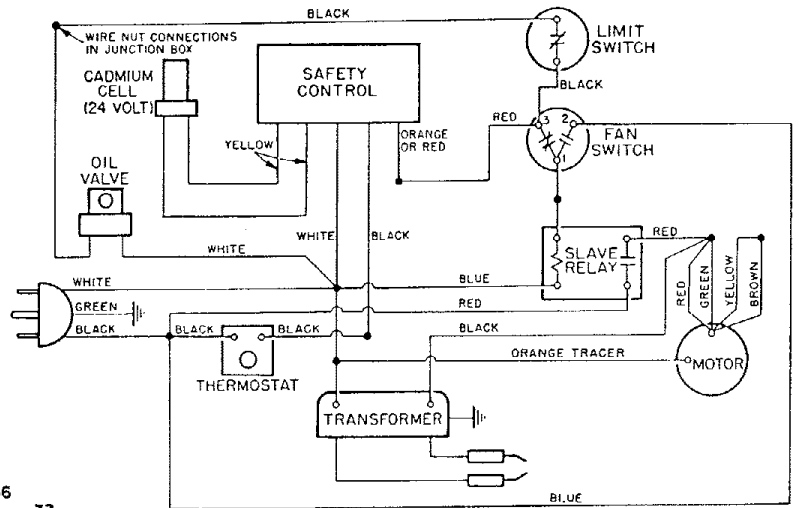


Figure 4. Wiring Diagram

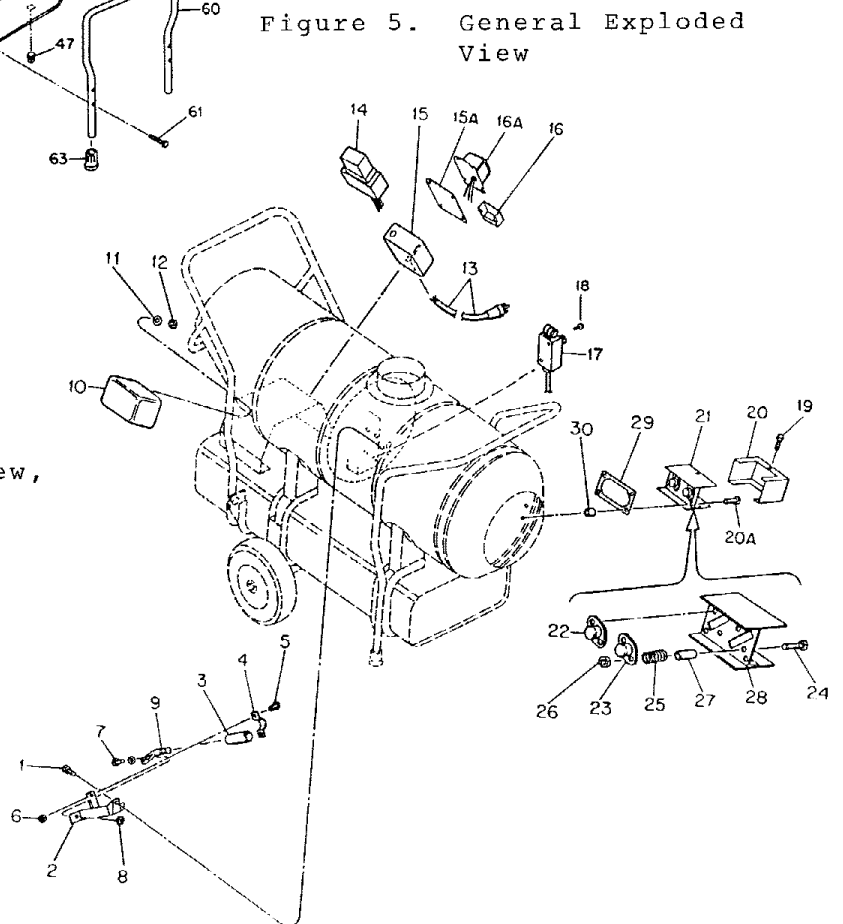
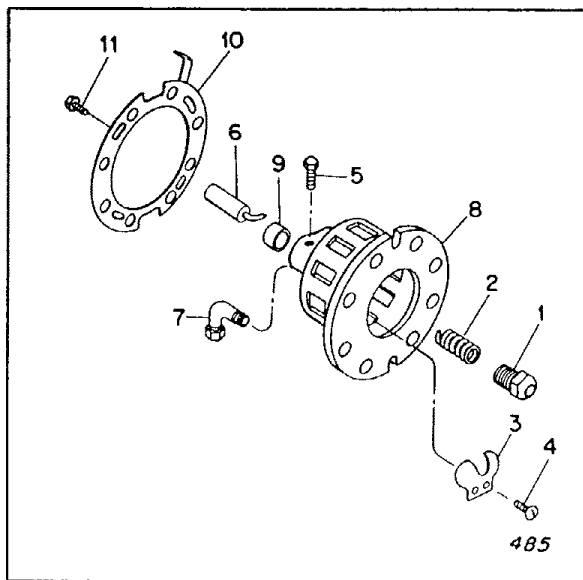


Figure 5. General Exploded View

Index No.	Part Number	Part Name	Qty.
1	M16114-1A	Handle Assy, Rear	1
2	M15835C	Cowl	1
3	M11084-29	Screw, Self-tapping, hex hd., 10-12 x 3/4	7
4	M11271-6	Nut, Tinnerman	7
5	M17531-1C	Guard Assembly, Screen	1
6	REF	Motor and Pump Assy (See Fig. 6)	NA
7	HC6-10C	Screw, Hex hd, 3/8-16 x 1-1/4 in.	4
8	WP-6C	Washer, Plain, 3/8 in.	16
9	NTC-6C	Nut, Torque lock, 3/8-16	4
10	M16793C	Bracket, Support	1
11	HF3-4C	Screw, Hex hd, No. 10-32 x 1/2	1
12	WLM-3C	Lockwasher, No. 10	1
13	NPF-3C	Nut, Hex, No. 10-32	1
14	M16050	Fan	1
14A	M24177	Key, Fan Locating	1
15	M18686-1	Burner Head Assy (See Fig. 7)	1
16	M12461-63	Screw, Hex hd, 1/4-20 x 1/2 in.	2
17	M10816-30	Electrode Lead Assy	2
18	M23384	Fuel Line (Pump to Burner)	1
19	1000576	Grommet (Electrode Leads)	2
20	M3530	Grommet, 7/8 in. (Fuel Line)	5
21	M15853	Deflector, Air	5
22	M12461-62	Screw, Hex hd, 1/4-20 x 3/8 in.	10
23	M15844C	Casting, Exhaust	1
24	M10908-27	Screw, Self-tapping, hex hd., 10-32 x 1/2 in.	4
25	M15836-7	Heat Exchanger Assy	1
26	M17389-2	Front Head Assy	1
27	M12461-27	Screw, Hex hd No. 10-32 x 1/2 in.	6
28	M12461-27	Screw, Hex hd No. 10-32 x 1/2 in.	8
29	M18331-1C	Outer Shell Assy	1
30	M10908-26	Screw, Self-tapping hex hd., No. 10-32 x 3/8 in.	7
31	M24030C	Nose Cone	1
32	M18326B	Aspirator Assembly	1
33	M11084-27	Screw	12
34	M15838-1C	Stack Guard	1

Index No.	Part Number	Part Name	Qty.
35	M10908-27	Screw, Self-tapping, hex hd No. 10-32 x 1/2 in.	4
36	M4812-3C	Door, Access	1
37	RF3-2C	Screw, Rd. hd No. 10-32 x 1/4 in.	1
38	M11271-3	Nut, Tinnerman	1
39	M16169C	Support, Motor	1
40	NTC-4C	Nut, Torque Lock 1/4-20	6
41	HC4-4C	Screw, Hex hd, 1/4-20 x 1/2 in.	6
42	M3334-10	Fuel Line Assy	1
-	M3334-7	Fuel Line Assy	1
43	M10923-1	Intake and Return Tube Assy	2
44	M18384-2C	Fuel Tank Assy	1
45	M23284	Cap, Filler Neck	1
46	M18053	Screen, Fuel Tank	1
47	M8257	Plug, Pipe	1
48	HC4-20C	Screw, Hex hd, 1/4-20 x 2-1/2 in.	8
49	WP-4C	Washer, Plain, 1/4 in.	8
50	NTC-4C	Nut, Torque Lock 1/4-20	8
51	M16117-2C	Plate, Lifting eye	4
-	M15114-3C	Tube, Spacer	8
52	HC4-20C	Screw, Hex hd 1/4-20 x 2-1/2 in.	4
53	NTC-4C	Nut, Torque Lock, 1/4-20	4
54	M8482C	Axle Assy	1
55	HC4-20C	Screw, Hex hd, 1/4-20 x 2-1/2	4
56	NTC-4C	Nut, Torque Lock, 1/4-20	4
57	M8111	Wheel	2
58	WP-10C	Washer, Plain 5/8 in.	4
59	C5-10C	Cotter Pin	2
60	M15842B	Handle, Front	1
61	HC4-20C	Screw, Hex hd, 1/4-20 x 2-1/2	4
62	NTC-4C	Nut, Torque Lock	4
63	M3304-3	Rubber Foot	2
-	M22887	Decal, Operation Instructions	1
-	M25658	Decal, Tradename	1
-	M24724	Decal, Nameplate	1
-	M20532-1	Decal, Pump Pressure	1
-	M22743	Decal, Warning	1
-	M22219	Decal, Wiring	1
-	M21633-6	Decal, Model Data	1
-	M23353-9	Paint, White, Aerosol Can	1
-	M23353-17	Paint, Blue, Aerosol Can	1

NA - Not available as a service part.



BURNER HEAD ASSEMBLY

Index No.	Part Number	Part Name	Qty.
	Ref	BURNER HEAD ASSEMBLY	1
1	M18303	Nozzle	1
2	M4274	Spring	1
3	M3978	Deflector, Air	1
4	RC1-2	Screw, Rd. hd., No. 6-32 x 1/4 in.	2
5	HF3-3	Screw, Hex hd., No. 10-32 x 3/8 in.	2
6	M3981	Electrode	2
7	69248	Elbow	1
-	M3853G8	Burner Body and Bushing Assy	1
8	M18665	Burner Body	1
9	M16712	Bushing, Electrode	2
10	M16650G1	Shutter Plate Assy	1
11	M12461-25	Screw, Hex hd., No. 10-32 x 1/4 in.	4

Figure 5. General Exploded View, Part 2 of 2

Index No.	Part Number	Part Name	Qty.
1	M10908-1	Screw, Self-tapping, hex hd No. 6-32 x 1/4 in.	2
2	M21865-1A	Bracket, Photocell	1
3	M13962A	Tube, Photocell	1
4	M13963A	Clamp, Tube	1
5	M12461-2	Screw, Hex hd No. 6-32 x 3/8 in.	2
6	NTC-1C	Nut, Torque lock No. 6-32	2
7	M12461-14	Screw, Rd. hd., No. 8-32 x 3/8 in.	1
8	NTC-2	Nut, Torque Lock, 8-32	1
9	M22013	Photocell	1
10	M3259-3	Transformer	1
11	WLM-4C	Washer, Lock	2
12	NPC-4C	Nut, Plain, 1/4 in.	2
13	M10813-12	Extension Cord Assembly	1
	M5187	Connector, Wire	3
	M3558	Connector, Wire	5
	56022	Connector, Motor conduit, 90°	1
	M3486-9	Tubing, Varnish (Solenoid Valve leads)	1
14	M20302	Relay, Slave	1
15	M3307	Box, Utility	1
	M3011	Box, Utility	1
	M12461-27	Screw, Hex hd No. 10-32 x 1/2 in.	2
	NTF-3C	Nut, Torque Lock 10-32	2
15A	M5837	Cover, Utility box	1

Index No.	Part Number	Part Name	Qty.
	FC1-2C	Screw, Flat hd, No. 6-32 x 1/4 in.	2
16	M22012	Control, Safety	1
16A	M24270	Cover, Terminal Strip	1
	M13942-2	Connector, Wire	1
	M13942-1	Connector, Wire	1
17	M25297-2	Thermostat Assy	1
18	M10908-2	Screw, Self-tapping, hex hd No. 6-32 x 1/4 in.	2
	WLI-1	Lockwasher	2
	M15141-18	Conduit, Motor leads	1
	M15454	Insulator, Motor leads	2
19	M10908-1	Screw, Self-tapping, hex hd No. 6-32 x 1/4 in.	1
	M18306-1	Cable Assy, Controls to Utility Box	1
20	M12661B	Cover	1
20A	10908-31	Screw, Self-tapping, hex hd No. 10-32 x 1 in.	4
21	M12656-4B	Controls and Box Assembly	1
22	M12303	. Thermostat, Limit	1
23	M12302	. Thermostat, Fan	1
24	M12461-20	. Screw, Hex hd No. 8-32 x 1-1/8 in.	4
25	M18305	. Spring	4
26	NPC-2C	. Nut, Plain hex No. 8-32	4
27	M12297-2	. Collar	4
28	M12657-1B	. Control Box Assy	1
29	M16710	. Gasket	1
30	M12662	. Spacer	2

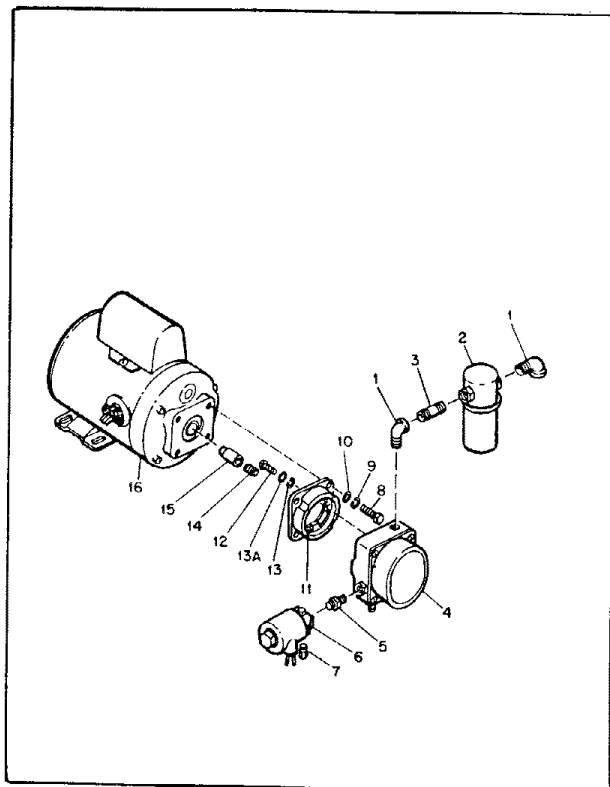


Figure 6. Motor and Pump Assembly

MOTOR AND PUMP ASSEMBLY

Index No.	Part Number	Part Name	Qty.
6-	M23383-1	Motor and Pump Assy (See Fig. 5)	N/A
1	57413	Elbow, Street 1/4 in.	2
2	M3973	Filter, Fuel	1
	M4307	. Filter Can	1
	M3301-2	. Filter Gasket	1
	M3301	. Filter Element	1
3	M3463	Nipple, Hex, 1/4-18 NPTF	1
4	M22872-2	Pump, Fuel	1
5	69246	Nipple, Pipe 1/8 in.	1
6	M3974-7	Valve, Solenoid	1
7	M5976	Connector, Male	1
8	*HC5-7C	Screw, Hex hd, 5/16-18 x 3/4 in.	4
9	*WLM-5C	Lockwasher, 5/16 in.	4
10	*WP-5C	Washer, Plain, 5/16 in.	4
11	M22348	Adaptor	1
12	*RF3-6C	Screw, Rd. hd., No. 10-32 x 3/4 in.	3
13	*WLM-3	Lockwasher No. 10	3
13A	WP-3C	Washer, Flat	3
14	M18436	Spring	1
15	M22873	Coupling	1
16	M16006	Motor, Lead Alteration	1

N/A Notavailable as a service part. Order individual parts.
 * Standard Hardware. Procure locally.