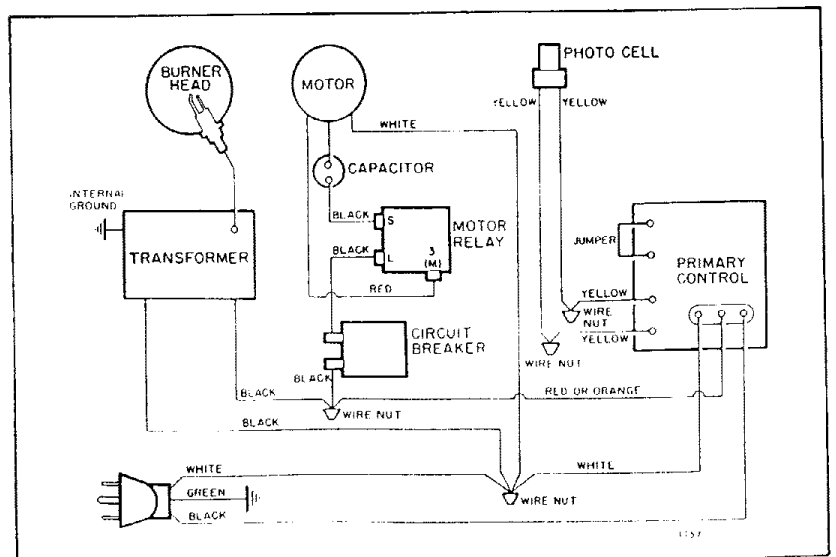


Figure 13. Heater Assembly, Exploded View

Figure 8. Wiring Diagram



DART PORTABLE HEATER MODEL DBV125C Spec. No. 3202G02
Form No. 3079 PARTS LIST

Fig. 13				Fig. 13			
Index No.	Part Number	Part Name	Qty.	Index No.	Part Number	Part Name	Qty.
	M27641-01	Heat Exchanger Assembly	1	42	M11952	Bracket, Relay	1
1	M12461-27	. Screw, Rd. hd., 10-32 x 1/2 in. lg.	10	43	M27285C	Lower Shell Assembly	1
2	M27635-01	. Cover Assembly, Heat Exchanger	1	-	M11084-27	Screw, Hex hd., 10-12 x 3/8 in. (AP)	4
3	M27633-01	. Head Assembly, Front	1	-	M11084-29	Screw, Hex hd., 10-12 x 3/4 in. (AP)	4
4	M27640-01	. Heat Exchanger	1	44	M23284	Cap, Filler	1
5	M12461-2	Screw, Hex hd., No. 6-32 x 3/8 in.	2	45	M18053	Screen, Filler Neck	1
6	M13961A	Bracket, Photo cell	1	46	M10990-3	Bushing	1
7	M13962A	Tube, Photo cell	1	47	M10816-46	Lead Assembly, Transformer	1
8	M13963A	Clamp, Tube	1	48	M25922	Transformer Assembly	1
9	NPC-1C	Nut, Plain, 6-32	2	49	M11084-27	Screw, Hex hd., 10-12 x 1/2 in., (AP)	2
10	M25912-2	Lead Wire, Photo cell	1	50	M14243-3	Handle, Rear	1
11	M15714-2	Connector, Wire	2	51	M12345-34	Screw, Oval hd., 10-24 x 2 in. (AP)	4
12	M23609	Photo cell	1	52	NTC-3C	Nut, Torque Lock No. 10-24 (AP)	4
13	M27983B	Shell, Upper	1	53	M27417	Drain Plug Assembly	1
	M11084-27	Screw, Hex hd., No. 10-12 x 1/2 in. (AP)	8	54	M16801-2A	Axle	1
	M11271-6	Nut, Tinnerman	8	55	M12831-3	Frame, Wheel support	1
14	M23150-5	Burner Head Assembly	1	56	M12345-34	Screw, Oval hd., 10-24 x 2 in. (AP)	4
	M11084-27	Screw, Hex hd., No. 10-12 x 1/2 in. (AP)	3	57	NTC-3C	Nut, Torque Lock, 10-24	4
15	M12461-27	Screw, Hex hd., No. 10-32 x 1/2 in.	1	58	WP-8C	Washer, Flat, 1/2 in.	4
16	M24717	Clamp	1	59	M19294	Wheel	2
17	WLM-3	Lockwasher	1	60	M28526	Nut, Cap	2
18	NPF-3C	Nut, Hex, 10-32	1	61	M10813-41	Extension Cord Assembly	1
19	M27975	Strap, Retainer	1	62	M6082	Connector, Straight	1
-	M11084-27	Screw, Hex hd., No. 10-12 x 1/2 in. (AP)	2	63	50460	Locknut	1
20	M27982	Fan, 3/4 in. pitch	1	64	RC3-4C	Screw, Rd hd., No. 10-24 x 1/2 in. (Ground wire)	1
	SF4-2-1/2K	Setscrew, Socket hd., cup pt., 1/4-28 x 5/16 in. (furnished with fan)	2	65	NTC-3C	Nut, Lock No. 10-24 (Ground wire)	1
21	M17875-8	Motor Package Assembly (For details see figure 15)	1	66	M22082	Control Assembly, Safety	1
22	NPC-4C	Nut, Plain hex, 1/4-20 (AP)	2	67	RF3-4C	Screw, Rd. hd., No. 10-32 x 1/2 in. (AP)	2
23	WLM-4	Lockwasher, 1/4 in. (AP)	2	68	M27284	Circuit Breaker	1
24	HC4-10C	Screw, Hex hd., 1/4-20 x 1-1/4 in. (AP)	2	69	M16841-19	Wire Assy, Circuit Breaker	1
25	M16661	Clamp, Motor (AP)	4	70	M25920	Insulator, Terminal	2
26	M26046	Cap	1	71	M15714-2	Connector, Wire	6
27	M23753	Air Line	1	72	M27324-2B	Control Box Mounting Assy	1
28	M12828	Shell Support Bracket	1	73	M11084-27	Screw, Hex hd., No. 10-12 x 1/2 in. (AP)	2
29	M16841-20	Wire Assembly, Capacitor	1	74	M25907	Bushing, Snap	1
30	M11084-27	Screw, Hex hd., No. 10-12 x 3/8 in.	1	75	M23611	Bushing, Snap	1
31	M12651-1	Clamp Capacitor	1	76	M27547-02B	Fuel Tank Assembly	1
32	M12650-1	Capacitor	1	77	M14244-3	Handle, Front	1
33	M16645	Bracket, Motor Support	1	78	M3570	Clip, Nylon	2
-	M11084-27	Screw, Hex hd., No. 10-12 x 1/2 in. (AP)	4	79	M11084-39	Screw, Hex hd., 8-15 x 1/2 in. (AP)	3
34	1000576	Grommet	2		M29189	Regulator, Draft	1
35	1000577	Grommet	1		M29014	Decal, Tradename	1
36	M11084-27	Screw, Hex hd., 10-12 x 1/2 in. (Relay bracket)	1		M24810	Decal, Mfg. by	1
37	M11271-6	Nut, Tinnerman	1		M25953	Decal, CAUTION	1
38	M25920	Insulator, Terminal	5		M25860	Decal, Wiring	1
39	M16841-21	Wire Assembly, Relay	1		M25952	Decal, Operation Instructions	
40	M12462-6	Relay, Motor start	1		M25325	Decal, Reset	1
41	RC2-2C	Screw, Rd hd., 8-32 x 1/4 in. (AP)	2		M4119	Label, CSA	1
					57305	Rivet	2
					M28648	Decal, Vent Instructions	1
						TOUCH-UP PAINT	
					M23353	Paint, Aerosol Can	
					M23353	Paint, Aerosol Can	

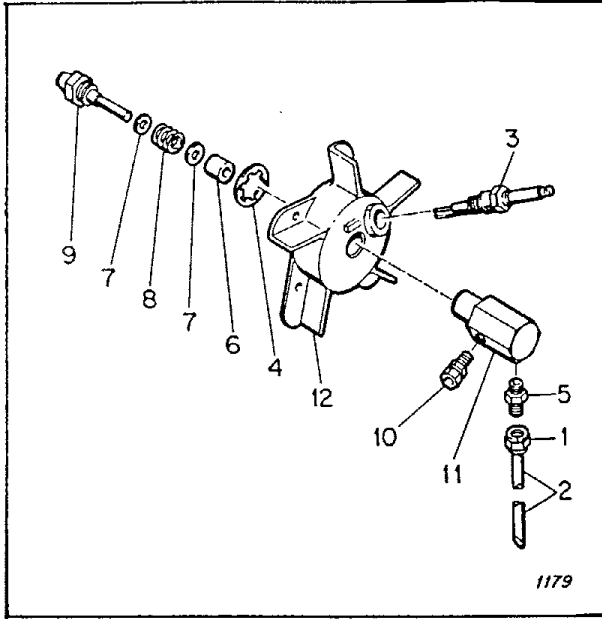
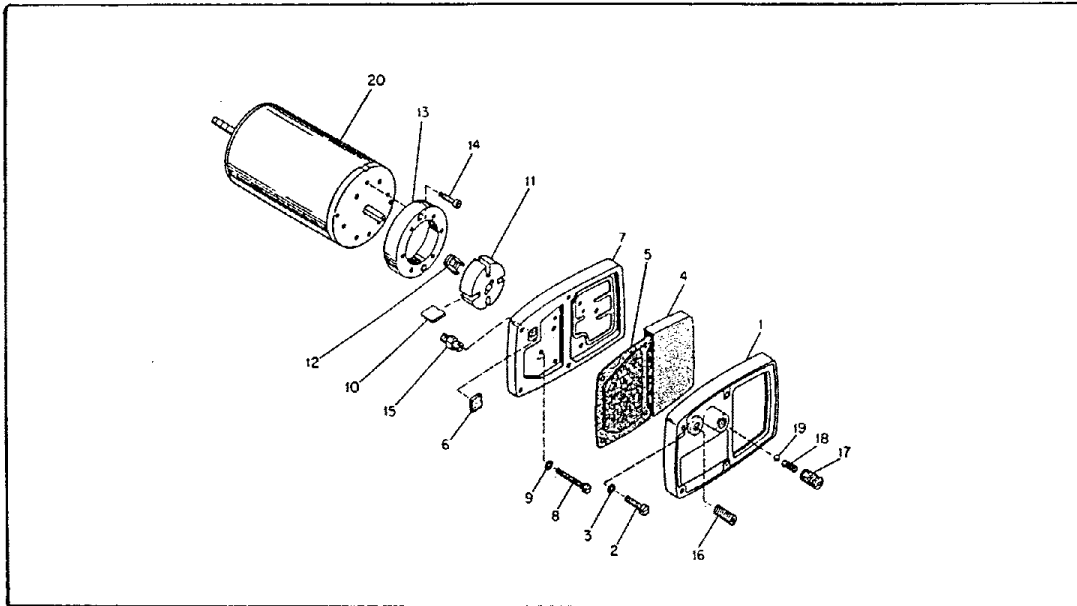


Fig. 14

Index No.	Part Number	Part Name	Qty.
	M23150-5	Burner Head Assembly	Ref
1	M13849	. Nut, Flared	1
2	M16789-9	. Fuel Filter Assembly	1
3	M13031-2	. Spark Plug	1
4	M16741-18	. Ring, Retaining	1
	M23151-3	. Nozzle Adapter Assy	1
5	M5976	. . Connector, Male	1
6	M8882	. . Sleeve, Nozzle Seal	1
7	M10659-1	. . Washer, Nozzle Seal	2
8	M10809-1	. . Spring, Nozzle Seal	1
9	M23103	. . Nozzle, Aspirating	1
10	M16791	. . Connector, Male	1
11	M16535-2	. . Adapter, Nozzle	1
12	M23736	. Body, Burner Head	1

Figure 14. Burner Head Assembly



Index No.	Part Number	Part Name	Qty.
	M17875-8	Motor Package Assembly	1
1	M16545	. End Cover, Filter	1
2	*M12461-31	. Screw, Hex hd., No. 10-32 x 1 (AP)	4
3	*WLI-3	. Lockwasher, Internal No. 10 (AP)	4
4	M12179	. Intake Air Filter	1
5	M12244-1	. Output Filter Assy	1
6	M11637	. Filter, Lint	1
7	M12233	. Front Cover, Pump (Port plate)	1
8	*M12461-34	. Screw, Hex hd., No. 10-32 x 1-1/2 (AP)	6
9	WLI-3	. Lockwasher, Internal No. 10 (AP)	6

Index No.	Part Number	Part Name	Qty.
10	M8643-3	. Blade, Pump	4
11	M22456-3	. Rotor, Pump	1
12	M22009	. Insert, Rotor	1
13	M8645-3	. Pump Body	1
14	*FHFP3-7C	. Screw (Pump Body to Motor)	2
15	M5976	. Connector, Male	1
16	M22997	. Plug	1
17	M27694	. Screw, Pressure Adjustment	1
18	M10993-1	. Spring, Compression (Pressure Relief)	1
19	M8940	. Ball, 1/4 in. dia.	1
20	M17814-5	. Motor	1

AP Indicates attaching parts.

* Standard Hardware. Purchase Locally.