

Motor and Pump Assembly

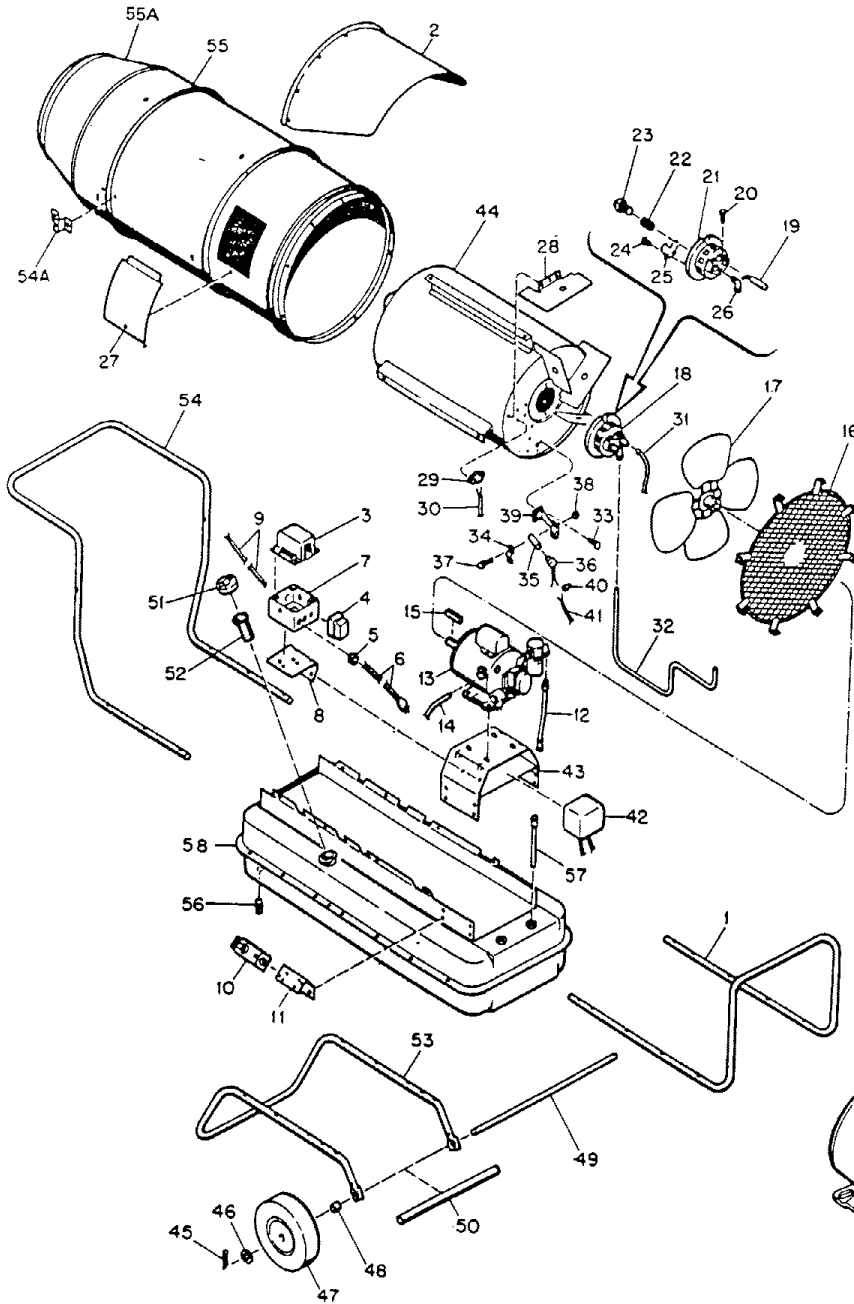


Fig. & Index No.	Part Number	Part Name	Qty.
4-	M23383-1	Motor and Pump Assembly	1
1	57413	Elbow, Street 1/4 in.	2
2	M3973	Filter, Fuel	1
	M4307	. Filter Can	1
	M3301-2	. Filter Gasket	1
	M3301	. Filter Element	1
3	M17499-1	Nipple	1
4	M22872-2	Pump, Fuel	1
5	69246	Nipple, Pipe, 1/8 in.	1
6	M29700-01	Valve, Solenoid	1
7	M5976	Connector, Male	1
8	*HC5-7C	Screw, Hex hd., 5/16-18 x 3/4 in.	4
9	*WLM-5	Lockwasher, 5/16 in.	4
10	*WP-5C	Washer, Plain, 5/16 in.	4
11	M22348	Adaptor	1
12	*RF3-6C	Screw, Rd. hd., No. 10-32 x 3/4 in.	3
13	WP-3C	Washer, Plain	3
14	M18436	Spring	1
15	M22873	Coupling	1
16	M16006	Motor	1
	M29694-01	Tubing, Varnish, Solenoid Leads	1
	1001349	Connector, Solenoid Leads	1

Figure 3. General Exploded View

Figure 4. Motor and Pump Assembly

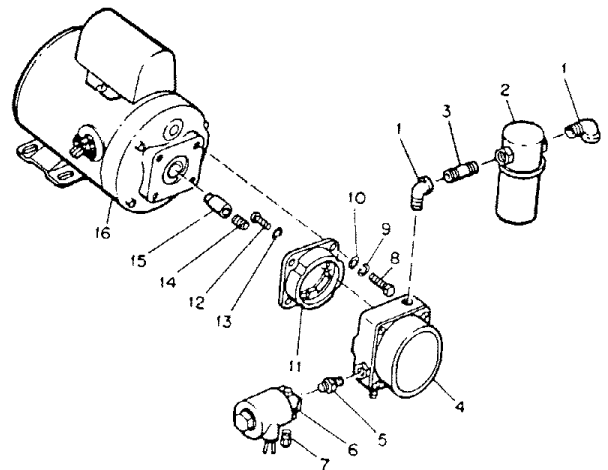
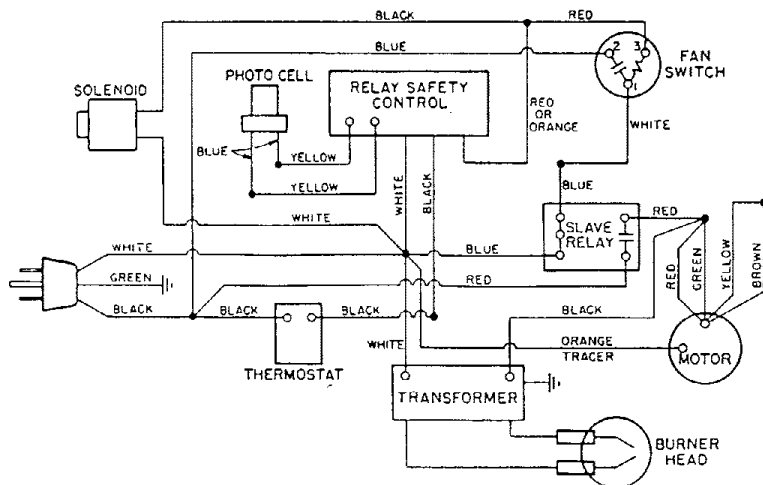


Figure 2. Wiring Diagram



## ILLUSTRATED PARTS LIST

Fig. & Index	Part No. Number	Part Name	Qty.	Fig. & Index	Part No. Number	Part Name	Qty.
3-1	M28872B	Handle, Rear	1	29	M5395	Switch, Fan	1
	NTC-3C	Nut, Self-locking 10-24 (AP)	10		ST2-6A	Screw, Hex hd, 8x3/4 in. (AP)	2
	M12345-34	Screw, Oval hd, 10-24 x 2 in. (AP)	6		M8152	Spacer	2
	WP-3C	Washer, Plain No. 10 (AP)	6	30	M21905-1	Harness Assembly, Wire	1
	M12345-52	Screw, Oval hd, 10-24 x 3 in. (AP)	4		M3486-5	Tubing, Varnish	1
2	M14864B	Cowl	1	31	M10816-49	Lead Assembly, Electrode	2
	M11084-27	Screw, Hex hd, 10-12 x 1/2 in. (AP)	7		M1000576	Grommet	2
	M11271-6	Nut, Tinnerman (AP)	4	32	M14908	Fuel Line	1
3	M27570	Control, Safety	1	33	M12461-2	Screw, Hex hd, 6-32 x 3/8 in.	2
	M5187	Nut, Wire	3	34	M13963A	Clamp, Tube	1
	M3558	Nut, Wire	4	35	M13962A	Tube, Photo Cell	1
4	M20302	Relay	1	36	M23609	Photo Cell	1
5	M3530	Grommet	6	37	M10908-1	Screw, Hex hd, 6-32 x 1/4 in.	2
6	M10813-61	Extension Cord Assembly	1	38	NPC-1C	Nut, Plain, 6-32	2
	1001349	Connector, Straight	1	39	M13961A	Bracket, Photo Cell	1
7	M3011	Box, Utility	1	40	M3558	Nut, Wire	2
	NTF-3C	Nut, Self-locking, 10-32 (AP)	3	41	M28149-04	Lead Wire, Photo Cell	1
	M12461-27	Screw, Hex hd., 10-32 x 1/2 in. (AP)	3		M1000577	Grommet	4
8	M27838B	Bracket	1	42	M27827-3	Transformer	1
	NTF-3C	Nut, Self-locking 10-32 (AP)	2		NPC-4C	Nut, Plain, 1/4-20 (AP)	2
	M12461-27	Screw, Hex hd., 10-32 x 1/2 in. (AP)	2	43	WLM-4C	Washer, Lock, 1/4 (AP)	2
9	M17063-33	Cable Assembly	1		M27739-02B	Bracket Assembly	1
	M25131	Bushing, Strain Relief	1		M11084-27	Screw, Hex hd, 10-12 x 1/2 in.	7
10	M25046	Thermostat	1	44	M16814-3	Combustion Chamber Assy	1
	M10908-2	Screw, Hex hd, 6-32 x 3/8 in. (AP)	2		M12461-63	Screw, Hex hd, 1/4-20 x 1/2 in. (AP)	6
	WLI-1	Washer, Lock No. 6 (AP)	2	45	C5-10	Cotter Pin	2
11	M25121C	Bracket, Thermostat	1	46	WP-10C	Washer, Plain 5/8	4
	M11084-27	Screw, Hex hd, 10-12 x 1/2 in. (AP)	2	47	M29118	Wheel	2
12	M3334-5	Fuel Line Assembly	2	48	M29119	Spacer, Wheel	2
13	M23383-1	Motor and Pump Assembly (See fig. 4 for details)	1	49	M29117	Axle	1
	NPC-6C	Nut, Plain, 3/8-16 (AP)	4	50	M29120	Sleeve, Axle	1
	WP-6C	Washer, Plain, 3/8 in. (AP)	16	51	M23284	Cap, Fuel Tank	1
	HC6-8C	Screw, Hex hd, 3/8 x 1/2 in. (AP)	4	52	M18053	Screen, Filler Neck	1
14	M3486-4	Tubing, Varnish	1	53	M28140-01B	Frame, Wheel Support	1
15	M24177	Key	1		NTC-3C	Nut, Self-locking, 10-24 (AP)	6
16	M14901	Fan Guard Assembly	1		M12345-52	Screw, Oval hd., 10-24 x 3 in. (AP)	6
	M11084-27	Screw, Hex hd, 10-12 x 1/2 in. (AP)	2	54	M28871B	Handle, Front	1
	M11271-6	Nut, Tinnerman (AP)	2		NTC-3C	Nut, Self-locking, 10-24 (AP)	2
17	M14968	Fan	1		M12345-31	Screw, Oval hd, 10-24 x 1-1/4 (AP)	2
	M12461-63	Screw, Hex hd, 1/4-20 x 1/2 in.	2		M11084-27	Screw, Hex hd, 10-12 x 1/2 in. (AP)	4
18	M9107-6	Burner Head Assembly	1	54A	M29121A	Bracket, Handle Support	2
19	M3981	. Electrode	2	55	M28779-01B	Outer Shell Assembly	1
20	HF3-3C	. Screw, Hex hd, Nc. 10-32 x 3/8 in.	2	55A	M14649AE	Cone Nose Outer Shell	1
21	M3853-3	. Body, Burner	1		M11084-27	Screw, Hex hd., 10-12 x 1/2 in. (AP)	8
22	M4274	. Spring	1	56	M8257	Plug, Pipe	1
23	M14969	. Nozzle	1	57	M18919-4	Intake Tube Assembly	2
24	RC1-2C	. Screw, Rd hd, No. 6-32 x 1/2 in.	2	58	M28147-01B	Fuel Tank Assembly	1
25	M3978	. Deflector, Air	1		M21692-5	Decal, Model	1
26	69248	. Elbow	1		M29014	Decal, Tradename	1
27	M4812-3C	Door, Access	1		M21699	Decal, Wiring	1
	M11084-27	Screw, Hexhd, 10-12 x 1/2 in.	1		M4950	Decal, Caution	1
	M11271-6	Nut, Tinnerman	1		M22743	Decal, Warning	1
28	M16553	Deflector, Air	2		M20532-1	Decal, Pump Pressure	1
	M11084-2	Screw, Hexhd, 12-11 x 3/8 in. (AP)	6		M22887	Decal, Nameplate and Operation Instructions	1
					M24724	Decal, Dart	1