

Figure 3. General Assembly, Exploded View

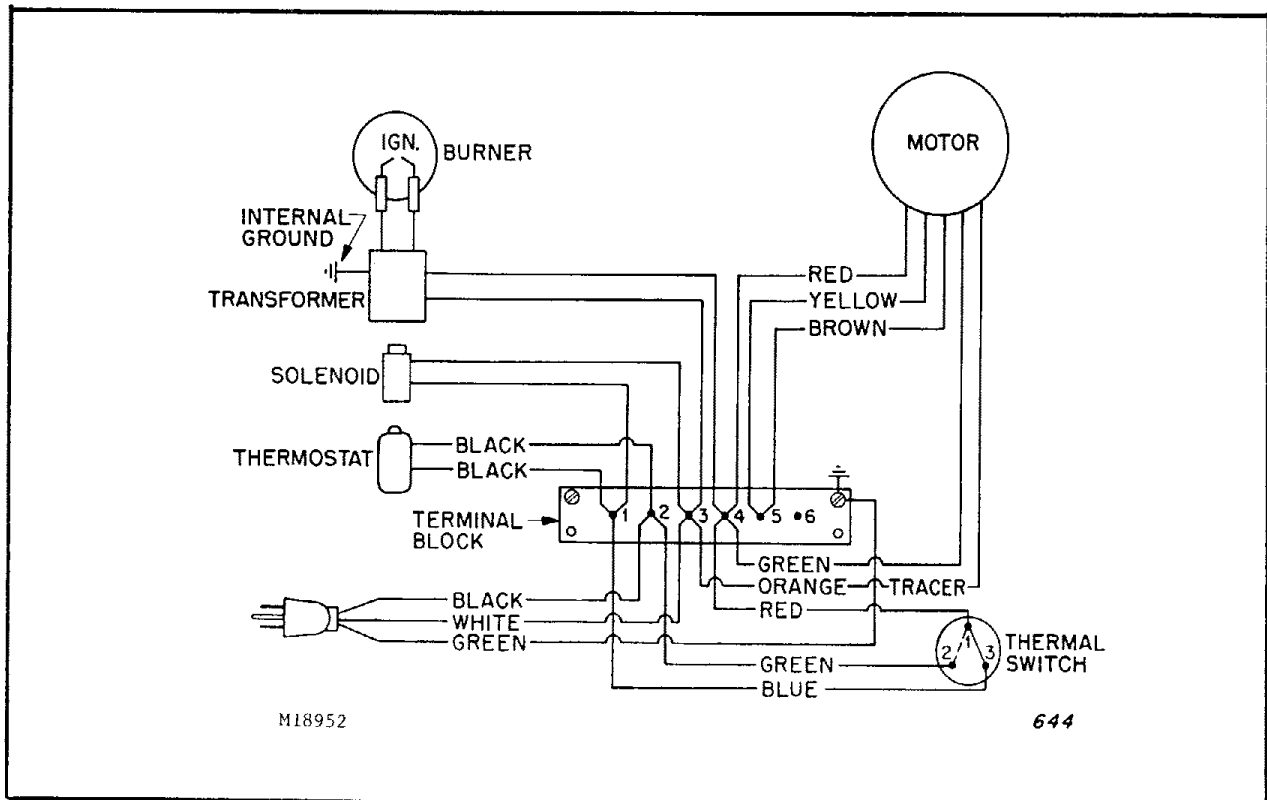
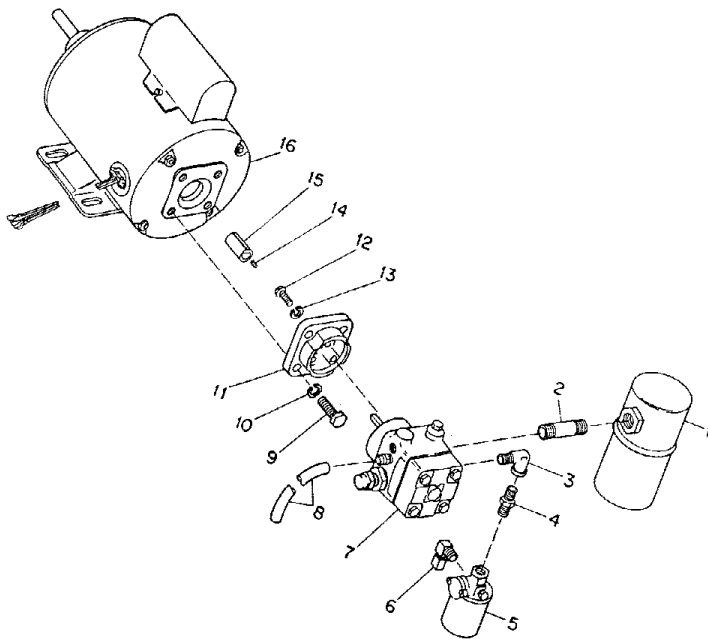


Figure 2. Wiring Diagram

MOTOR AND PUMP ASSEMBLY

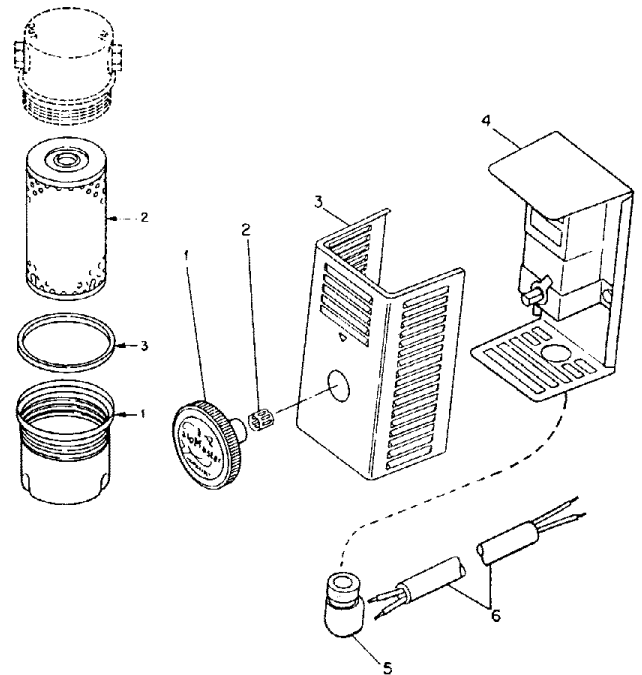
Index No.	Part Number	Description	Units Per Assy
	DM18781-1	Motor and Pump Assembly (See 21, Figure 3)	N.A.
1	DM3973	Filter (See Figure 6)	Ref
2	DM17499-2 *	Nipple, Pipe, 1/4 x 2 in.	1
3	57379 *	Elbow, Street, 1/8 pipe x 1/8 pipe	1
4	69246 *	Nipple, Hex, 1/8 pipe to 1/8 pipe	1
5	DM18895-1	Solenoid Assembly	1
6	69248 *	Elbow, Compression, 1/4 tube to 1/8 pipe	1
7	DM18363	Pump	1
8	DM14929-2	Fuel Line (Bleed)	1
9	HC5-6C *	Screw, Hex Hd., 5/16-18 x 3/4 in.	4
10	WLM-5C *	Washer, Lock, 5/16 in.	4
11	DM18365	Adapter	1
12	RF3-6 *	Screw, Round Hd., No. 10-32 x 3/4 in.	3
13	WLM-3 *	Washer, Lock, No. 10	3
14	DM18436	Spring	1
15	DM18366	Coupling	1
16	DM18894-1	Motor	1
	DM18975	Kit, Pump Repair	1

N.A. - Not Available as an assembly. Order individual parts if required.
 * Standard hardware, obtainable locally.



THERMOSTAT ASSEMBLY

Index No.	Part Number	Part Name or Description	Qty
	DM18897	Thermostat Assy (See Figure 3, Index No. 25)	1
	DM18016G1	. . Thermostat Assy (Less Cable)	1
1	DM16152	. . Knob, Thermostat	1
2	DM16154	. . Spring, Thermostat Knob	1
3	DM16147	. . Cover, Thermostat	1
4	DM18021G1	. . Thermostat Back and Element Assy	1
5	DM11954	. . Bushing, Strain Relief	1
6	DM17063G16	. Cable Assy	1



FUEL FILTER

Index No.	Part Number	Part Name or Description	Qty
	DM3973	Filter, Fuel (Purolator Type P11-04)	1
1	DM4307	. Filter Can	1
2	DM3301-1	. Filter Element (Purolator No. P-111)	1
3	DM3301-2	. Filter Gasket	1

MODEL DB-220 HEATER, GENERAL ASSEMBLY

Index No.	Part Number	Description	Units Per Assy
1	DM18089	Nose Cone	1
	DM11084-27*	Screw, No. 10-12 x 1/2 in. (Nose Cone to Outer Shell)	6
2	DM18085	Outer Shell	1
3	DM11084-27*	Screw, No. 10-12 x 1/2 in. (Shell to Tank)	6
	1000576	Grommet	6
4	DM3530	Grommet	2
5	DM18087	Cover, Outer Shell	1
	DM11084-27*	Screw, No. 10-12 x 1/2 in. (Cover to Outer Shell)	4
6	DM11271-6	Nut, Tinnerman	4
	DM18915	Deflector, Heat	1
	DM12461-26*	Screw, No. 10-32 x 3/8 in. (Outer Shell to Combustion Chamber)	6
	WP-3C *	Washer, Flat, No. 10	6
7	DM18773-1	Combustion Chamber	1
8	DM18768	Plate, Deflector	1
	DM11084-27*	Screw, No. 10-12 x 1/2 in. (Deflector Plate to Combustion Chamber)	4
9	DM18777-1	Nozzle and Electrode Adapter Assembly (Burner)	1
10	DM16741-18	. Retaining Ring, Nozzle	1
11	DM3981	. Electrode	2
12	DM16712	. Bushing, Electrode	2
	DM12461-14*	. Screw, No. 8-32 x 3/8 in. (Electrode Clamping)	2
13	DM18775	. Bracket, Nozzle	1
14	DM18876	. Nozzle	1
15	DM4274	. Spring	1
16	DM18876	. Adapter	1
17	69248 *	. Elbow	1
	DM11084-27*	Screw, No. 10-12 x 1/2 in. (Burner Mounting)	2
18	DM10816G33	Electrode Lead	2
	DM18877	Fuel Line, Pump to Nozzle	1
19	DM18765	Housing, Fan	1
	DM11084-27*	Screw, No. 10-12 x 1/2 in. (Fan Housing to Outer Shell)	4
20	DM18878	Fan	1
20A	DM18916	Key, Fan Locating	1
21	DM18781-1	Motor and Pump Assembly (See Figure 4)	Ref
	HC5-4C *	Screw, 5/16-18 x 2 in. (Motor Mounting)	6
	NTC-5C *	Nut, Torque Lock, 5/16-18	6
22	DM18917-1	Wire Harness Assembly (to thermal switch)	1
23	DM5895	Switch, Thermal	1
	ST2-8AC *	Screw, No. 8-15 x 3/4 in. (Thermal Switch attaching)	2
24	DM18867	Spacer	2
25	DM18897	Thermostat Assembly (See figure 5)	Ref
	ST1-2BC *	Screw, No. 6-18 x 1/4 in. (Thermostat to Bracket)	4
26	DM18782	Bracket, Thermostat	1
	DM11084-27*	Screw, No. 10-12 x 1/2 in. (Thermostat Bracket to Outer Shell)	2
27	DM20633	Handle, Front	1
28	DM20632	Handle, Rear	1
	DM12345-49*	Screw, No. 10-24 x 2-1/4 in. (Handle to Fuel Tank)	8
	NTC-3C *	Nut, Torque Lock, No. 10-24	8
29	DM3334G12	Fuel Line	2
30	DM18919-1	Fuel Intake Tube	2
31	DM18051	Cap, Fuel Filler Neck	1
32	DM18053	Screen, Fuel Filler Neck	1
33	DM18298-1	Fuel Tank	1
34	1000576	Grommet	1
35	DM13990 *	Plug, Pipe, 1/4 in., Sq. Hd.	1
36	DM18519	Frame, Wheel Support	1
37	C5-10C *	Pin, Cotter, 5/32 x 1-1/4 in.	2
38	WP-10C *	Washer, Flat, 5/8 in.	4
39	DM8111	Wheel	2
40	DM18774	Axle	1
41	DM18914	Block, Terminal	1
	DM11084-29*	Screw, No. 10-12 x 3/4 in. (Terminal block to Motor Bracket)	2
	WP-3C *	Washer, Flat, No. 10	2
42	DM3530	Grommet	2
43	DM18764-1	Motor Bracket Assembly	1
	DM11084-27*	Screw, No. 10-12 x 1/2 in. (Motor Bracket to Fuel Tank)	8
44	DM18892-1	Transformer	1
	WLM-4C *	Washer, Lock, 1/4 in.	2
	NPC-4C *	Nut, Hex, 1/4-20	2
45	DM10813G40	Extension Cord	1
46	DM11143-1	Bushing, Strain Relief	1
	DM17137	Decal, Trade Name	2
	DM18903	Decal, Operating Instruction	1
	DM18196	Decal, Nameplate	1
	DM18952	Decal, Wiring Diagram (under outer shell cover)	1

*Standard hardware, obtainable locally.