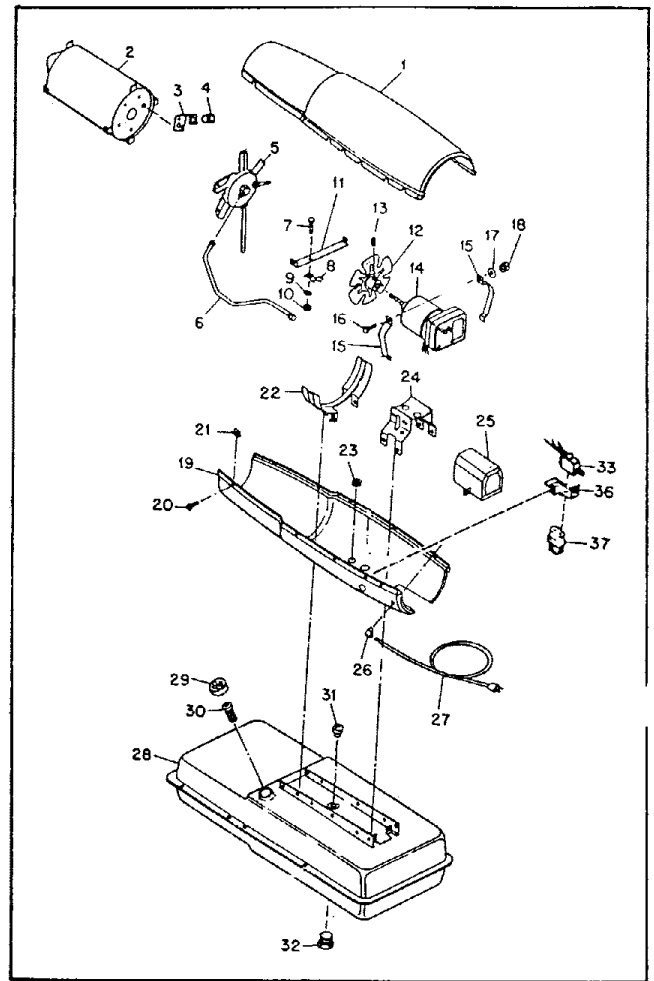


DART PORTABLE HEATER MODEL DB100D Spec. No. 3196G05
 Manual No. M50092-28

Fig. 13

Index Part No.	Number	Part Name	Qty.
1	M13134-3J	Shell, Upper	1
2	M16781-4	Chamber, Combustion	1
	M11084-27*	Screw (Combustion Chamber attaching front)	2
	M11084-29*	Screw (Combustion Chamber attaching rear)	2
3	M16660	Bracket, Photo cell	1
	M10908-1*	Screw (Photo cell Bracket to Combustion Chamber rear head)	2
4	M16656-3	Cell and Bushing Assy.	1
5	M23150-1	Burner Head Assembly (See Figure 14)	1
	M11084-27*	Screw (Burner Head to Combustion Chamber)	3
6	M16879	Air Line	1
7	M12461-27	Screw, Slotted hex hd., No. 10-32 x 1/2 in.	1
8	M24717	Clamp, Tube	1
9	WLM-3	Lockwasher, No. 10	1
10	NPF-3C	Nut, Plain No. 10-32	1
11	M15807	Strap, Retainer	1
	M11084-27*	Screw (Retainer Strap to Lower Shell)	2
12	M23147	Fan	1
13	SF4-2-1/2K	Setscrew, Soc. Hd.; cup pt., 1/4-20 (Fan to Motor Shaft)	2
14	M23149-7	Motor Package Assembly (See Figure 16)	1
15	M16661	Clamp, Motor	4
16	HC4-10C	Screw (Motor Clamps)	2
17	WLM-4*	Lockwasher, 1/4 in. (Motor Clamps)	2
18	NPC-4C*	Nut, Hex, 1/4-20 (Motor Clamps)	2
19	M16777J	Shell, Lower	1
20	M11084-27*	Screw (Upper Shell to Lower Shell)	6
21	M11271-6*	Nut, Tinnerman (Upper Shell to Lower Shell)	6
22	M12330	Bracket, Shell Support	1
	M11084-27*	Screw (Support Bracket to Lower Shell and Fuel Tank)	4
	M11084-29*	Screw (Lower Shell to Support Bracket)	2
23	1000576	Grommet (Ignition cable thru Lower shell)	2
24	M25059-2	Bracket, Motor Support	1
	M11084-27*	Screw (Motor Support Bracket to Lower Shell and Fuel Tank)	6
25	M16697-02	Transformer, 5000 volt	1
	M11084-27	Screw (Transformer to Motor Support Bracket)	2
26	M11143-1	Bushing, Strain Relief (Service Cord to Lower Shell)	1
27	M10813-77	Cord Assembly, Extension	1
28	M27552-01H	Tank Assembly, Fuel	1
29	M23284	Cap, Fuel Tank	1



HEATER GENERAL ASSEMBLY, EXPLODED VIEW

30	M18053	Screen, Filler neck	1
31	M10990-3	Bushing, Rubber (Fuel Filter into Fuel Tank)	1
32	M27417	Plug, Drain	1
33	M28898-03	Safety Control Assembly	1
34	M28897-01	Trigger Assembly	1
35	M29201	Circuit Breaker	1
36	M25296-1	Bracket, Starting Relay Mtg.	1
37	M12462-16	Relay, Starting	1
	RC2-2C*	Screw (Starting Relay to Mounting Bracket)	2
	ST2-2AC	Screw (Grounding)	1
	M11084-27	Screw (Relay Bracket to Shell)	1
	M9900-62	Wire Assembly, Black (To Starting Relay)	1
	M9900-80	Wire Assy. (To Breaker)	1
	M16615-1	Harness Assy.	1
	M13942-7	Connector (Cell and Bushing and Relay to Circuit Breaker)	1
	M13942-5	Connector (Relay Leads)	4

Index No.	Part Number	Part Name	Code	Quan.
-	M23149-7	Motor Package Assembly	Ref.	
1	M16545	End Cover, Filter		1
2	M12461-31*	Screw (Filter End Cover to Pump End Cover)		4
3	WLI-3	Lockwasher, Internal No. 10		4
4	M12179	Intake Air Filter		1
5	M12244-1	Output Filter Assy.		1
6	M11637	Filter, Lint		1
7	M12233	Front Cover, Pump (Port Plate)		1
8	M12461-32*	Screw (End Cover to Motor)		6
9	WLI-3	Lockwasher, Internal No. 10		6
10	M8643	Blade		4
11	M22456-1	Rotor		1
12	M22009	Insert		1
13	M8645	Pump Body		1
14	FHPF3-4C	Screw (Pump Body to Motor)		1
15	M5976	Connector, Male		2
16	M22997	Plug, Hex hd.		1
17	M27694	Screw, Pressure Adjustment		1
18	M10993-1	Spring, Compression (Pressure Relief)		1
	M8940	Ball, 1/4 in. dia.		1
20	M30718-01	Motor		1

* Only these parts are recommended for replacement by the owner or user of the heater.

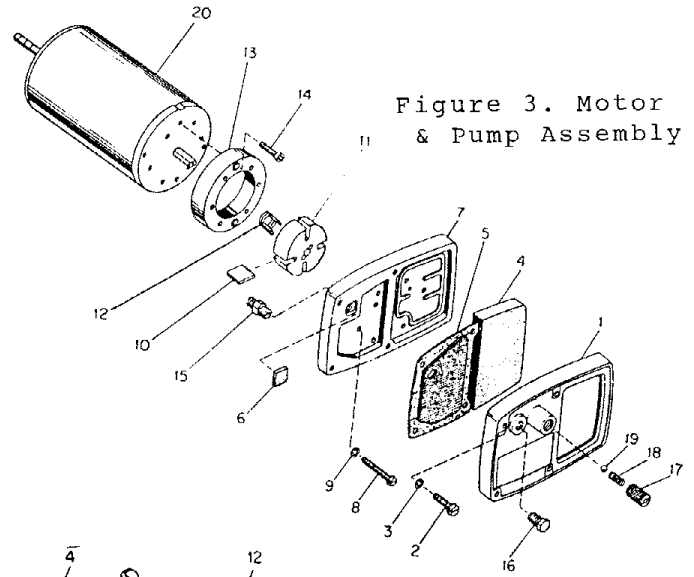


Figure 3. Motor & Pump Assembly

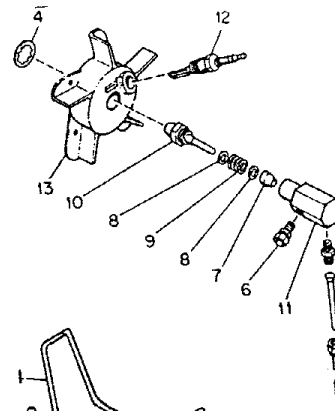


Figure 2. Burner Head Assembly

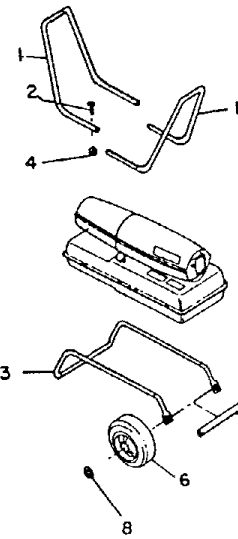


Figure 4. Handles and Wheels

Index No.	Part Number	Part Name	Qty.
14-	M23150-1	Burner Head Assembly	Ref.
1	M16790-8	Filter Tube	1
2	M19630	Filter, Fuel	1
3	M13849	Nut, Flared	1
4	M16741-18	Ring, Retaining	1
	M23151-1	Nozzle, Adapter Assy.	1
5	M16791	Connector, Male	1
6	M5976	Connector, Male	1
7	M8882	Sleeve, Nozzle Seal	1
8	M10659-1	Washer, Nozzle Seal	2
9	M10809-1	Spring, Nozzle Seal	1
10	M23103	Nozzle, Aspirating 0.66 GPH	1
11	M16535	Adapter, Nozzle	1
12	M10962-2	Spark Plug	1
13	M16534	Body, Burner Head	1

HANDLE AND WHEEL GROUP				
Fig. Index No.	Part Number	Part Name	Qty.	
1	M15131-3	Handle, Front and Rear	2	
2	M12345-34*	Screw, Handles and Wheel Support Frame to Fuel Tank	8	
3	M12342-3	Wheel Support Frame	1	
4	NTC-3C*	Nut, Hex 10-24, Torque Lock	8	
5	M16801A	Axle	1	
6	M19294	Wheel	2	
8	M28526	Nut, Cap	2	

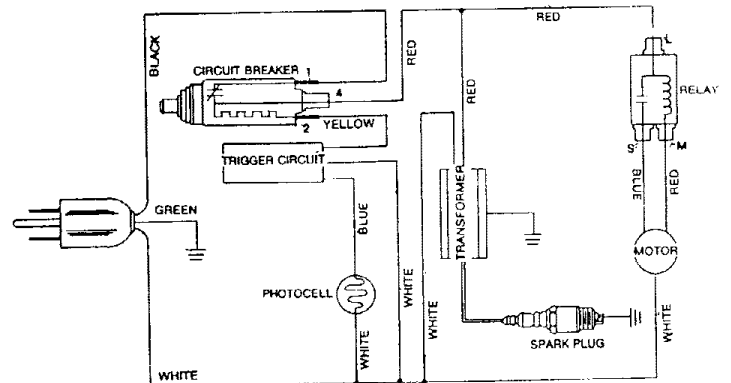


Figure 5. Wiring Diagram