

Figure 12. Heater Assembly, Exploded View

Figure 7. Wiring Diagram

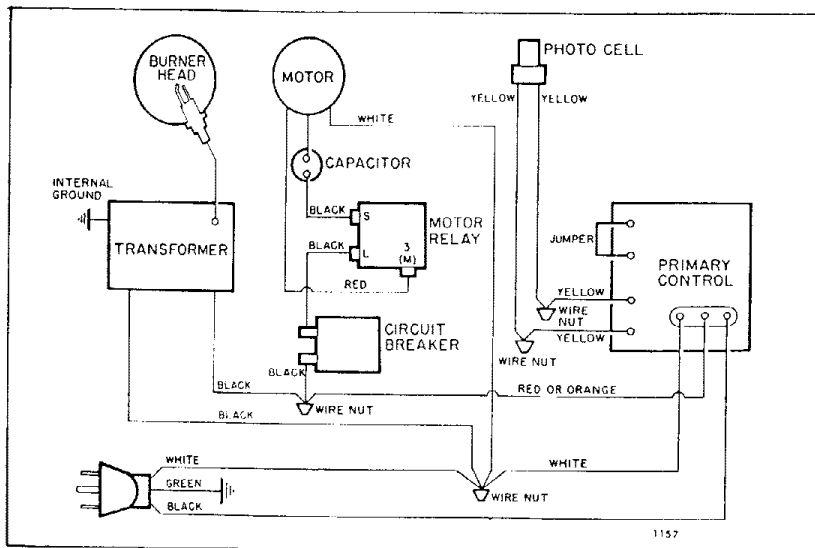


Fig. & Index No.	Part Number	Part Name	Qty.
12-1	M26207-2C	Shell, Upper	1
	M11084-26	Screw, Hex hd., No. 10-12 x 3/8 in. (AP)	6
	M11271-6	Nut, Tinnerman	6
2	M25019-2	Combustion Chamber Assy	1
3	M23443-5	Burner Head Assembly (For details see figure 13)	1
	M11084-26	Screw, Hex hd., No. 10-12 x 3/8 in. (AP)	3
4	M13961A	Bracket Photo Cell	1
	M10908-1	Screw, Hex hd., No. 6-32 x 1/4 in. (AP)	2
5	M23609-1	Photo Cell	1
6	M13962A	Tube, Photo Cell	1
7	M13963A	Clamp, Tube	1
8	M12461-2	Screw, Tube Clamp	2
9	NPC-1C	Nut	2
10	M15714-2	Connector, Wire	2
11	M28149-01	Lead wire, Photo cell	1
12	M25727	Fan, 25/32 pitch	1
	SF4-2-1/2K	Setscrew, Socket hd., cup pt., 1/4-28 x 5/16 in. (furnished with fan)	2
13	M25023-1	Motor Package Assembly (For details see figure 14)	1
14	NPC-4C	Nut, Plain hex., 1/4-20 (AP)	2
15	WLM-4	Lockwasher, 1/4 in. (AP)	2
16	HC4-10C	Screw, Hex hd., 1/4-20 x 1-1/4 in. (AP)	2
17	M16661	Clamp, Motor (AP)	4
18	M26046	Cap	1
19	M25021	Air Line	1
20	M25059	Bracket, Motor support	1
	M11084-26	Screw, Hex hd., No. 10-12 x 3/8 in. (AP)	4
21	1000576	Grommet	2
22	1000577	Grommet	2
23	M11084-26	Screw, Hex hd., 10-12 x 3/8 in. (relay bracket)	2
24	M25919	Insulator, Terminal	2
25	M16841-21	Wire Assembly, Relay	1
26	M16841-20	Wire Assembly, Capacitor	1
27	M11084-39	Screw, Hex hd., No. 8-15 x 1/2 in.	1
28	M12651-1	Clamp Capacitor	1
29	M12650-8	Capacitor	1
30	M25061-1	Relay, Motor start	1
31	RC2-2.5C	Screw, Rd. hd., 8-32 x 1/4 in. (AP)	2
32	M25035	Bracket, Relay	1
33	M26968C	Lower Shell Assembly	1
-	M11084-26	Screw, Hex hd., 10-12 x 3/8 in. (AP)	6
34	M23284	Cap, Filler	1
35	M18053	Screen, Filler neck	1
36	M10990-3	Bushing	1
37	M10816-43	Lead Assembly, Transformer	1
38	M25922	Transformer Assembly	1
39	M26204-3	Handle, Rear	1
	M12345-33	Screw, Oval hd., 10-24 x 1-3/4 in.	4

Fig. & Index No.	Part Number	Part Name	Qty.
	NTC-3C	Nut, Torque Lock No. 10-24 (AP)	4
40	M27417	Drain Plug Assembly	1
41	M16801-6	Axle	1
42	M26205	Frame, Wheel support	1
	M12345-33	Screw, Oval hd., 10-24 x 1-3/4 in. (AP)	6
	NTC-3C	Nut, Torque Lock, 10-24 (AP)	6
43	WP-8C	Washer, Flat 1/2 in.	4
44	M26306	Wheel	2
45	M28526	Cap	2
46	M10813-41	Extension Cord Assembly	1
47	M6082	Connector, Straight	1
48	50460	Locknut	1
	RC3-4C	Screw, Rd hd., No. 10-24 x 1/2 in. (Ground wire)	
	NTC-3C	Nut, Lock No. 10-24 (Ground wire)	1
49	M22082	Control Assembly, Safety	1
	RC3-4C	Screw, Rd hd., No. 10-32 x 1/2 in. (AP)	2
50	M15246	Circuit Breaker	1
51	M16841-19	Wire Assembly, Circuit Breaker	1
52	M25920	Insulator, Terminal	5
53	M15714-1	Connector, Wire	3
54	M26133-1D	Control Box Mounting Assy	1
	M11084-26	Screw, Hex hd., No. 10-12 x 3/8 in. (AP)	3
55	M25907	Bushing, Snap	1
56	M23611	Bushing, Snap	1
57	M27553-03B	Fuel Tank Assembly	1
58	M26969-1	Guard, Nose	1
	M12345-33	Screw, Oval, 10-24 x 1-3/4 in., (AP)	4
	NTC-3C	Nut, Torque Lock No. 10-24 (AP)	4
59	M26967-3	Handle, Front	1
60	M3570	Clip, Nylon	2
61	M11084-39	Screw, Hex hd., No. 8-15 x 1/2 in.	1
<b>DECALS</b>			
	M25958	Decal, Guard	1
	M29014	Decal, Tradename	1
	M24810	Decal, Mfg. by	1
	M25953	Decal, CAUTION	1
	M29044	Decal, N. P.	1
	M25860	Decal, Wiring	1
	M25952	Decal, Operation Instructions	1
	M25325	Decal, Reset	1
	M4119	Label, CSA	1
	57305	Rivet	2
<b>TOUCH-UP PAINT</b>			
	M23353	Paint, Blue, Aerosol Can	
	M23353	Paint, Black, Aerosol Can	

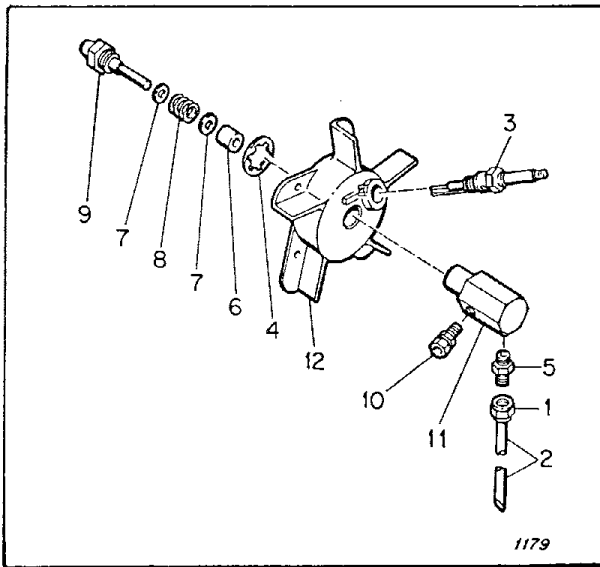


Figure 13. Burner Head Assembly

Index No.	Part Number	Part Name	Qty.
13-	M23443-5	Burner Head Assembly	Ref
1	M13849	Nut, Flared	1
2	M16789-8	Fuel Filter Assembly	1
3	M13031-2	. Spark Plug	1
4	M16741-18	. Ring, Retaining	1
5	M23151-6	. Nozzle Adapter Assy	1
6	M5976	. . Connector, Male	1
7	M8882	. . Sleeve, Nozzle Seal	1
8	M10659-1	. . Washer, Nozzle Seal	2
9	M10809-1	. . Spring, Nozzle Seal	1
10	M26316	. . Nozzle, Aspirating	1
11	M16791	. . Connector, Male	1
12	M16535-2	. . Adapter, Nozzle	1
	M25020	. Body, Burner Head	1

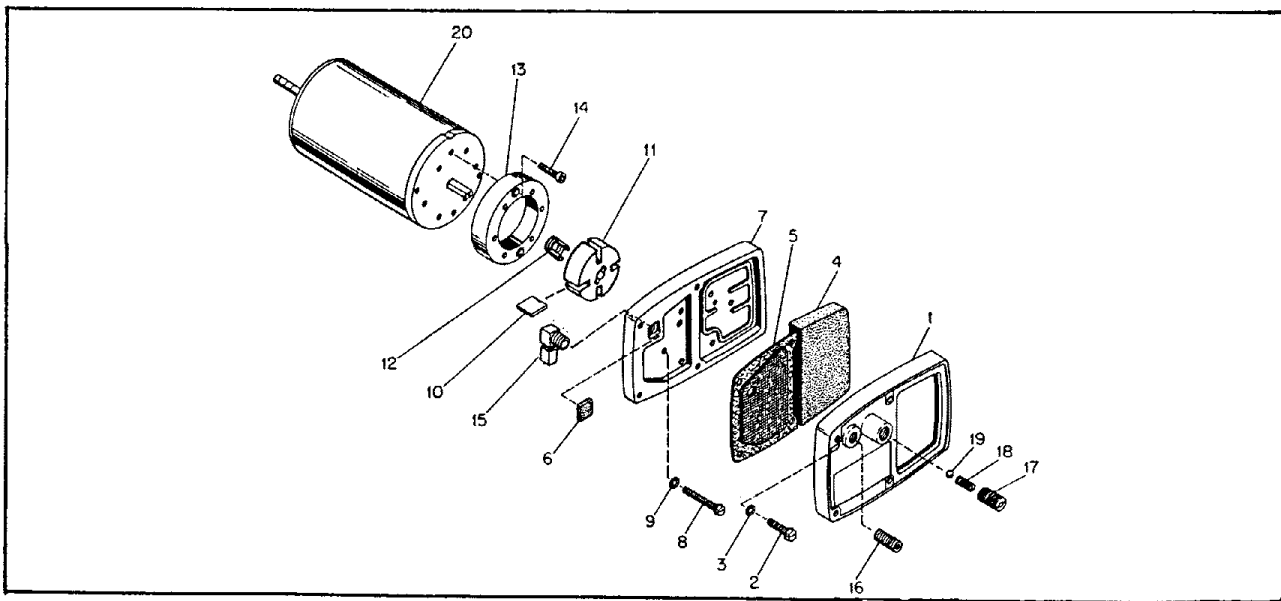


Figure 14. Motor Package Assembly

Index No.	Part Number	Part Name	Qty.
17-	M25023-1	Motor Package Assembly	1
1	M16545	. End Cover, Filter	1
2	*M12461-31	. Screw, Hex hd. No. 10-32 x 1 (AP)	4
3	*WLI-3	. Lockwasher, Internal No. 10 (AP)	4
4	M12179	. Intake Air Filter	1
5	M12244-1	. Output Filter Assy	1
6	M11637	. Filter, Lint	1
7	M12233	. Front Cover, Pump (Port Plate)	1
8	*M12461-32	. Screw, Hex hd. No. 10-32 x 1-1/8 (AP)	6
9	WLI-3	. Lockwasher, Internal No. 10 (AP)	6

Index No.	Part Number	Part Name	Qty.
10	M8643	. Blade, Pump	4
11	M22456-1	. Rotor, Pump	1
12	M22009	. Insert, Rotor	1
13	M8645	. Pump Body	1
14	*FHPP3-4C	. Screw (Pump Body to Motor)	2
15	69248	. Elbow, 90°	1
16	M22997	. Plug	1
17	M23105	. Screw, Pressure Adjustment	1
18	M10993-1	. Spring, Compression (Pressure Relief)	1
19	M8940	. Ball, 1/4 in. dia.	1
20	M25022-1	. Motor	1
	M16886-1	Kit, Pump and Filter	1

AP Indicates attaching parts.

\* Standard Hardware. Purchase Locally.