

| Index No. | Part Number | Part Name | Qty. |
|-----------|-------------|----------------------------------|------|
| | | 3/8 in. | 15 |
| | M30725-06 | Upper Shell Assembly | 1 |
| 2 | M17539-9 | Rivet | 4 |
| 3 | M28153 | Handle | 1 |
| 4 | M30724-AE | Shell | 1 |
| 6 | M29634-01 | Chamber Assembly, Combustion | 1 |
| 7 | M11084-26 | Screw, Hex Hd., 10-12 x 3/8 in. | 1 |
| 8 | M29707-01 | Burner Head Assembly | 2 |
| 9 | M29824 | Nut, Special | 1 |
| 10 | M29835 | Spark plug | 1 |
| 10A | M16741-18 | Ring, Retainer | 1 |
| | M29705-01 | Nozzle Adapter Assembly | 1 |
| 11 | M29681 | Nozzle, Siphon | 1 |
| 12 | M29805 | Adapter, Nozzle | 1 |
| 13 | M29615-01 | Bracket Assembly, Nozzle Adapter | 1 |
| 14 | M10908-1 | Screw, Hex hd., 6-32 x 1/4 in. | 2 |
| 15 | M16656-3 | Photo Cell and Bushing Assy. | 1 |
| 16 | M16660 | Bracket, Photo Cell | 1 |
| 17 | M29803-01 | Tubing, Fuel | 1 |
| 18 | M29814-01 | Filter Assembly, Fuel | 1 |
| 19 | M10990-3 | Bushing, Rubber | 1 |
| 20 | M30726-AE | Bracket, End Cover | 1 |
| 21 | ST2-2AC | Screw | 1 |
| 22 | M12250-2 | Nut, Tinnerman | 1 |
| 23 | M13942-7 | Connector, Wire | 2 |
| 24 | 1000576 | Grommet | 1 |
| 25 | M29678 | Fan | 1 |
| 26 | M16841-16 | Wire Assembly | 1 |
| 27 | M28898-03 | Safety Control Assembly | 1 |
| 28 | M29939-01 | Trigger Assembly | 1 |
| 29 | M30719 | Breaker, Circuit | 1 |
| 30 | M29652-01 | Tubing, Airline | 1 |
| 31 | M10908-13 | Screw, Hex Hd. | 4 |
| 32 | M16697-02 | Transformer Assembly | 1 |
| 33 | NTC-3C | Nut | 4 |
| 34 | M12461-50 | Screw | 4 |
| 35 | M29800 | Decal, Reset | 1 |
| 36 | M29750-01 | Motor Package Assembly | 1 |
| 37 | M11084-26 | Screw | 4 |
| 38 | M29616 | Motor Mounting Bracket | 1 |
| 39 | M11271-6 | Nut, Tinnerman | 6 |
| 40 | M11143-1 | Bushing, Strain Relief | 1 |
| 41 | M10813-74 | Extension Cord Assembly | 1 |
| 42 | M11084-26 | Screw | 4 |
| 43 | M13942-5 | Connector, Wire | 1 |
| 44 | M30727-AV | Shell, Lower | 1 |
| 45 | M30715-01 | Cap, Fuel | 1 |
| 46 | M30723-01AE | Tank Assembly, Fuel | 1 |

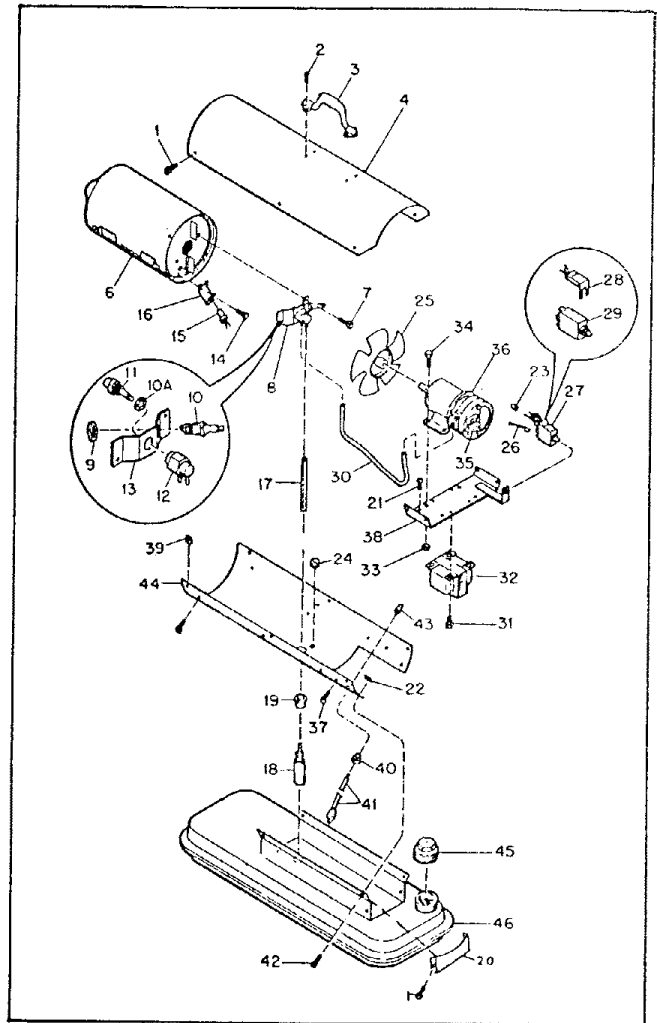


Figure 1. Heater Exploded View

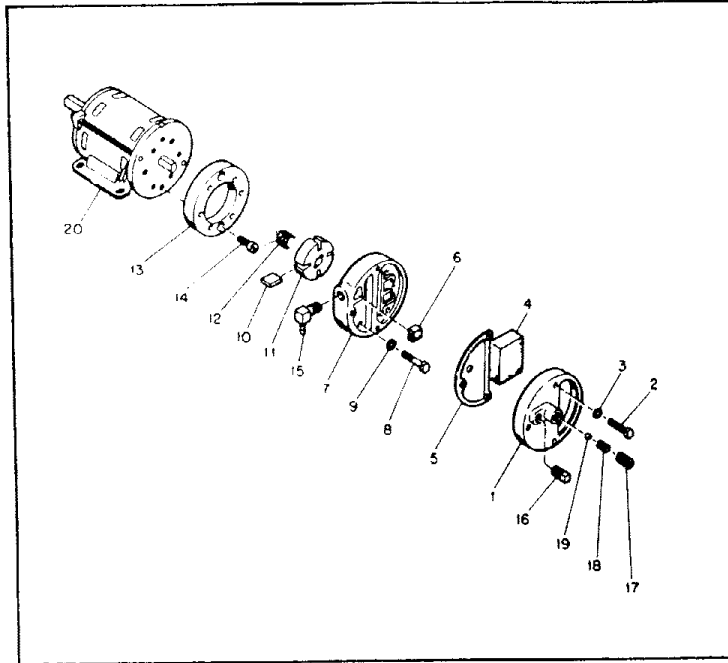


Figure 2. Motor Package Assembly

| Fig. & Index Part No. | Number | Part Name | Qty. | Fig. & Index Part No. | Number | Part Name | Qty. |
|-----------------------|-----------|--|------|-----------------------|-----------|---------------------------------------|------|
| - | M29750-01 | Motor Package Assembly | 1 | 11 | M22456-1 | Rotor, Pump | 1 |
| 1 | M29609 | End Cover, Filter | 1 | 12 | M22009 | Insert, Rotor | 1 |
| 2 | M12461-31 | Screw (Filter End Cover to Pump End Cover) | 3 | 13 | M8645 | Pump Body | 1 |
| 3 | WLI-3 | Lockwasher, Internal No. 10 | 3 | 14 | FHPP3-4C | Screw (Pump Body to Motor) | 2 |
| 4 | M29633 | Intake Air Filter | 1 | 15 | M29797 | Elbow | 1 |
| 5 | M29612-01 | Output Filter Assembly | 1 | 16 | M22997 | Plug, Socket Hd. | 1 |
| 6 | M29632 | Filter, Lint | 1 | 17 | M27694 | Screw, Pressure Adjustment | 1 |
| 7 | M29608 | End Cover, Pump (Port Plate) | 1 | 18 | M10993-1 | Spring, Compression (Pressure Relief) | 1 |
| 8 | M12461-32 | Screw (End Cover to Motor) | 6 | 19 | M8940 | Ball, 1/4 in. dia. | 1 |
| 9 | WLI-3 | Lockwasher, Internal No. 10 | 6 | 20 | M29780-01 | Motor | 1 |
| 10 | M8643 | Blade | 4 | | | | |

PARTS AVAILABLE — NOT SHOWN

| | | |
|-----------|------------------|---|
| M24724 | Decal, Mfg. by | 1 |
| M22743 | Decal, Warning | 1 |
| M22898 | Decal, Nameplate | 1 |
| M29014 | Decal, Tradename | 1 |
| M30729-07 | Decal, Model | 1 |
| M2980) | Decal, Reset | 1 |

