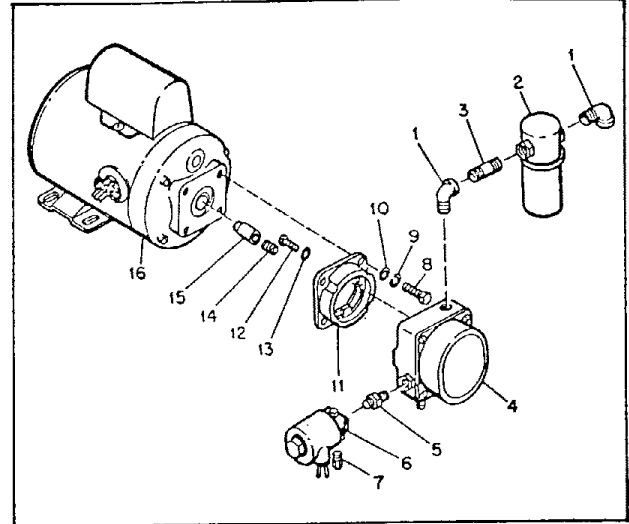
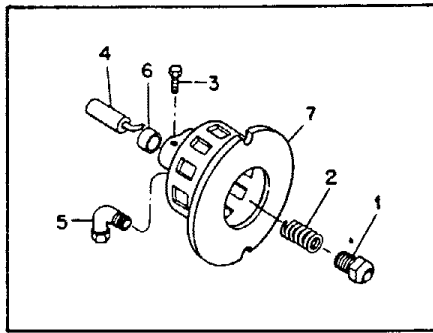


Index Part No.	Number	Part Name	Qty.
6-	M23373-5.	Motor and Pump Assy.	NA
1	57413	Elbow, Street 1/4 in.	2
2	M3973	Filter, Fuel	1
	M4307	Filter Can	1
	M3301-2	Filter Gasket	1
	M3301	Filter Element	1
3	M17499-1	Nipple	1
4	M22872-1	Pump, Fuel	1
5	69246	Nipple, Pipe 1/8 in.	1
6	M30771-01	Valve, Solenoid	1
7	M5976	Connector, Male	1
8	*HCS-7C	Screw, Hex hd., 5/16-18 x 3/4 in.	4
9	*WLM-5C	Lockwasher, 5/16 in.	4
10	*WP-5C	Washer, Plain, 5/16 in.	4
11	M22348	Adaptor	1
12	*RF3-6C	Screw, Rd. hd., No. 10-32 x 3/4 in.	3
13	WP-3C	Washer, Plain	3
14	M18436	Spring	1
15	M22873	Coupling	1
16	M23357-1	Motor Assembly	1



MOTOR PACKAGE ASSEMBLY



BURNER HEAD ASSEMBLY

Index Part No.	Number	Part Name	Qty.
5-	M18666-2	BURNER HEAD ASSEMBLY	1
1	M25119	Nozzle	1
2	M4274	Spring	1
3	HF3-4C	Screw, Hex hd., No. 10-32 x 3/8 in.	2
4	M3981	Electrode	2
5	M28262	Elbow	1
	M29952-01	Burner Body and Bushing Assembly	1
6	M28340	Bushing, Electrode	2
7	M18665	Burner Body	1

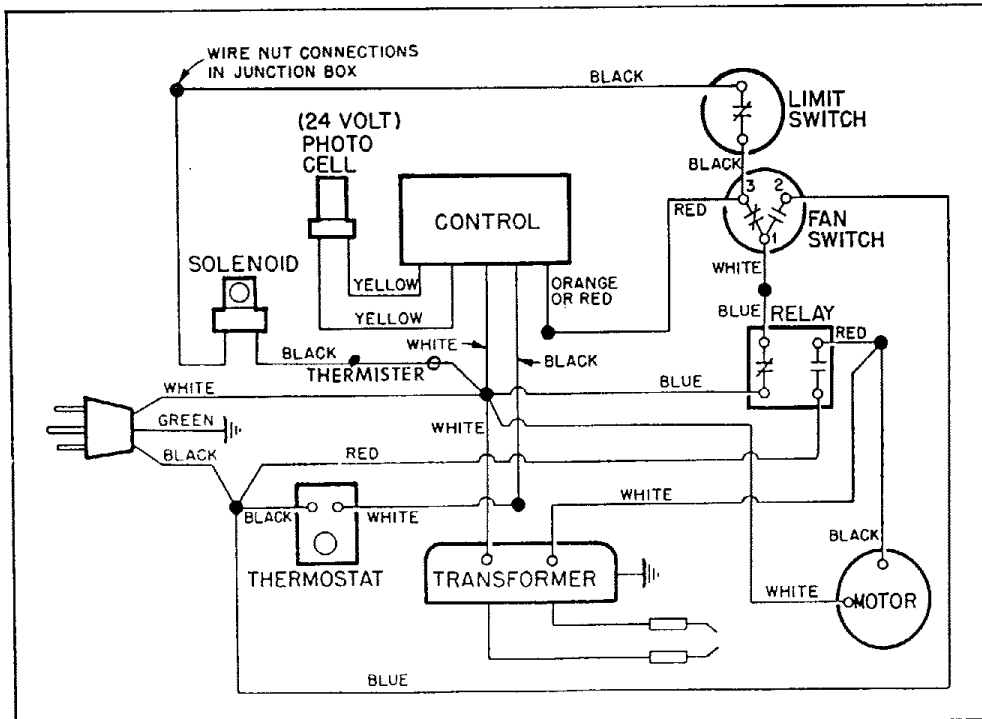


Figure 3. Wiring Diagram

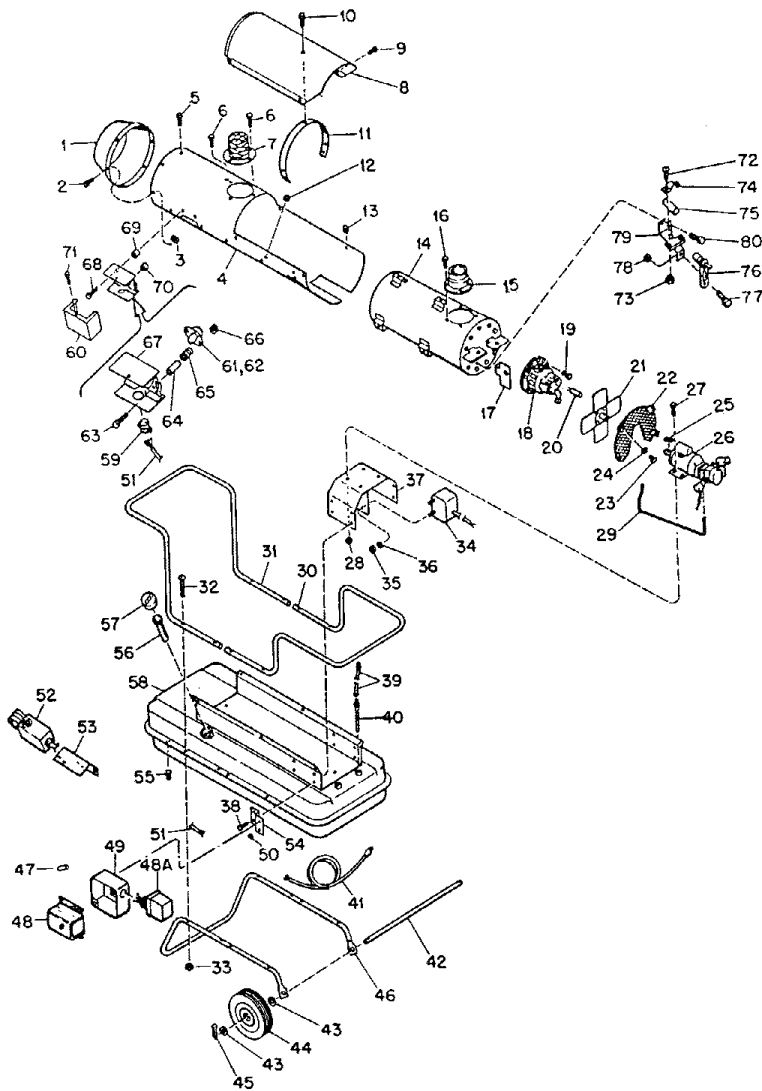


Figure 4. Heater Assembly, Exploded View

Index No.	Part Number	Part Name	Qty.
1	M18089AZ	Cone, Nose	1
2	M12461-26	Screw, Hex hd, 10-32 x 3/8 in.	5
3	M11271-16	Nut, Tinnerman	5
4	M23486AZ	Shell, Outer	1
5	M11804-27	Screw, Self-tapping, 10-12 x 1/2	3
6	M11084-27	Screw, Self-tapping, 10-12 x 1/2	8
7	M11242-1AZ	Stack Guard Assembly	1
8	M18087AZ	Cover, Outer shell	1
9	M11084-27	Screw, Self-tapping, 10-12 x 1/2	4
10	M12461-26	Screw, Hex hd, 10-32 x 3/8	5
11	M22905A	Support, Cover	1
12	1000576	Grommet	6
13	M11271-6	Nut, Tinnerman	6
14	M25118-1	Heat Exchanger Assembly	1
15	M10851AZ	Casting, Exhaust	1
16	M11084-27	Screw, Self-tapping, 10-12 x 1/2	4
17	M4785	Fin, Deflector	1
	M12461-27	Screw, Hex hd, 10-32 x 1/2	2
18	M18666-2	Burner Head Assembly (See Fig. 5 for details)	1
19	M11084-27	Screw, Self-tapping, hex hd, No. 10-12 x 1/2	2
20	M10816-33	Electrode Lead Assembly	2
21	M23377	Fan	1
22	M23386-1AZ	Fan Guard Assembly	1
23	M12461-25	Screw, Hex hd, No. 10-32 x 1/4	4
24	WLM-3C	Washer, Lock	4
25	M21964	Key, Locating	1
26	M23373-5	Motor and Pump Assembly (See Fig. 6)	NA
27	HC4-5C	Screw, Hex hd., 1/4-20 x 5/8	4
28	NTC-4C	Nut, Torque Lock	4
29	M18877	Fuel Line	1
30	M19515A	Handle, Rear	1
31	M19516A	Handle, Front	1
32	M12345-49	Screw, Oval hd., 10-24 x 2-1/4	8
33	NTC-3C	Nut, Torque Lock	8
34	M27827-03	Transformer Assembly	1
35	NPC-4C	Nut, Plain	2
36	WLM-4C	Washer, Lock	2
37	M19513-1BA	Motor Bracket Assembly	1
38	M11084-27	Screw, Self-tapping, 10-12 x 1/2	8
39	M3334-10	Fuel Line Assembly	2
40	M18919-1	Intake Tube Assembly	2
41	M10813-77	Extension Cord Assembly	1
42	M18774	Axle	1
43	WP-10C	Washer	4
44	M8111	Wheel	2
45	CS-10C	Pin Cotter	2
46	M18519A	Frame, Wheel Support	1
48	M27570	Control, Safety Primary	1
48A	M20302	Relay	1
49	M3011	Box, Utility	1
50	M5889	Grommet	1
	M12461-27	Screw, Hex hd, 10-32 x 1/2	2
	NPF-3C	Nut, Torque lock	2
	M5187	Connector, Wire	2
	1001349	Connector, Straight	4
51	M21962-2	Wire Harness Assembly	1
52	M25297-13	Thermostat Assembly	1
53	M25121-B	Thermostat Bracket	1
	M11084-27	Screw, Self-tapping, 10-12 x 1/2	2
54	M30870BA	Bracket, Box, Mounting	1
55	M8257	Plug, Pipe	1
56	M18053	Screen, Filler	1
57	M23284	Cap, Filler	1
58	M18298-2BA	Fuel Tank Assembly	1

59	1001349	Connector, Straight	1
60	M12661A	Cover, Box	1
	M12656-1A	Controls and Box Assy.	1
61	M12303	Thermostat, Limit	1
62	M12302	Thermostat, Fan	1
63	M12461-18	Screw, Hex hd. 8-32 x 1/8	4
64	M12297-1	Collar	4
65	M12301	Spring	4
66	NPC-2C	Nut, Hex, No. 8-32	4
67	M12657-1A	Control Box Assy.	1
68	M12461-27	Screw, Self-tapping, 10-32 x 1/2	4
69	M13042	Spacer	2
70	M12662	Spacer	2
71	M10908-1	Screw, Self-tapping, 6-32 x 1/4 in.	1
72	M12461-2	Screw	2
73	NTC-1C	Nut	2
74	M13963A	Clamp, Tube	1
75	M13962A	Tube, Photo Cell	1
76	M23609-01	Photocell	1
77	M12461-14	Screw	1
78	NTC-2C	Nut	1
79	M13961A	Photocell Bracket Assembly	1
80	M10908-1	Screw	2
	M50133	Decal, Tradename	1
	M50136	Decal, Model	1