

Index No.	Part Number	Part Name or Description	Ref. Notes	Qty.
	M16803-4	Burner Head Assy.	@	1
1	M16790-12	Filter Tube	@	1
2	M19630	Filter, Fuel	@	1
3	M13849	Nut, Flare		1
4	M16741-18	Ring, Retainer		1
	M16787-3	Nozzle Adapter Assy.		1
5	M16791	Connector, Male		1
6	M5976	Connector, Male		1
7	M8882	Sleeve, Nozzle Seal		1
8	M10659-1	Washer, Nozzle Seal		2
9	M10809-1	Spring, Nozzle Seal		1
10	M18022	Nozzle, Aspirating, 1.0 grph		1
11	M16535	Adapter, Nozzle		1
12	M10962-2	Spark Plug		1
13	M23090	Body, Burner		1

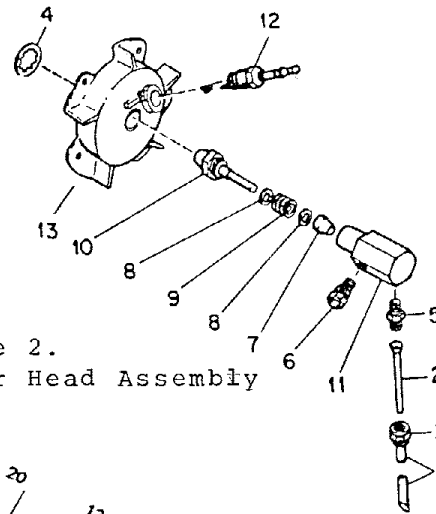


Figure 2. Burner Head Assembly

Index No.	Part Number	Part Name or Description	Qty.
	M17875-8	Motor Package Assembly	1
	M16675-02	Pump and Filter Parts Pkg.	1
1	M16545	End Cover, Filter	1
2	M12461-31	Screw (Filter End Cover to Pump End Cover)	4
3	WLI-3	Lockwasher, Internal No. 10	4
4	M12179	Intake Air Filter	1
5	M12244-1	Output Filter Assy.	1
6	M11637	Filter, Lint	1
7	M50545	End Cover, Pump (Port Plate)	1
8	M12461-34	Screw (End Cover to Motor)	6
9	WLI-3	Lockwasher, Internal, No. 10	6
10	M8643-3	Blade	4
11	M22456-3	Rotor	1
12	M22009	Insert	1
13	M8645-3	Pump Body	1
14	FHPF3-7C	Screw (Pump Body to Motor)	2
15	M5976	Connector, Male	1
16	M22997	Plug	1
17	M27694	Screw, Pressure Adjustment	1
18	M10993-1	Spring, Compression (Pressure Relief)	1
19	M8940	Ball, 1/4 in. dia.	1
20	M17814-5	Motor	1

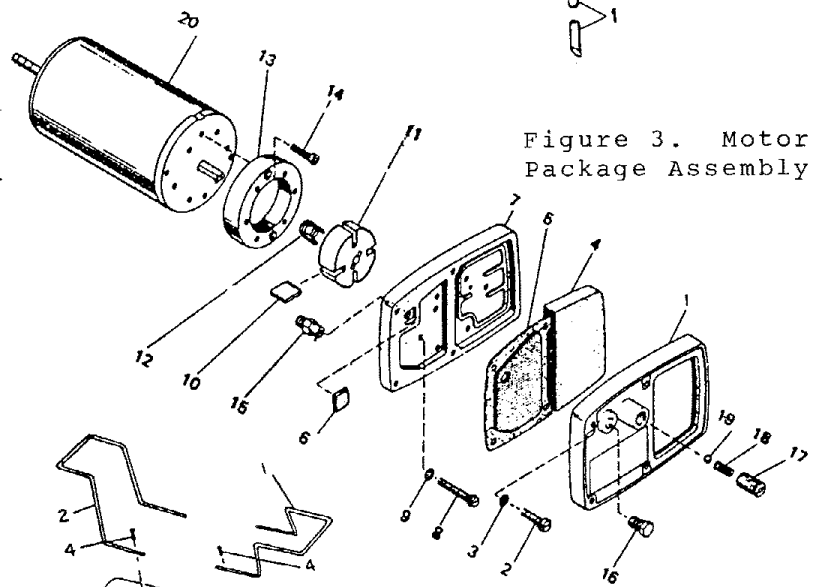


Figure 3. Motor Package Assembly

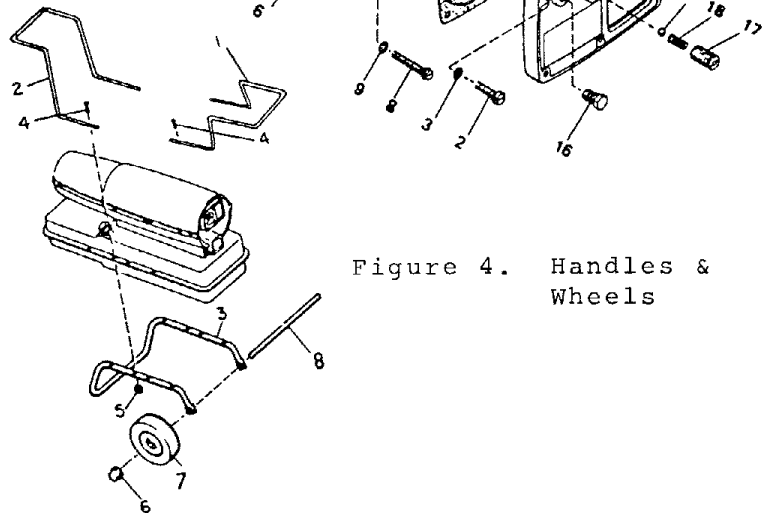


Figure 4. Handles & Wheels

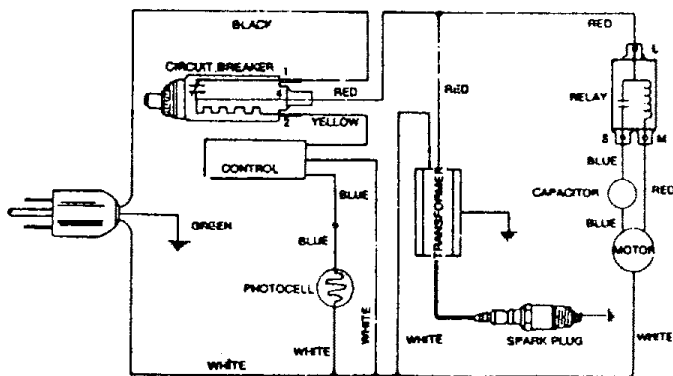
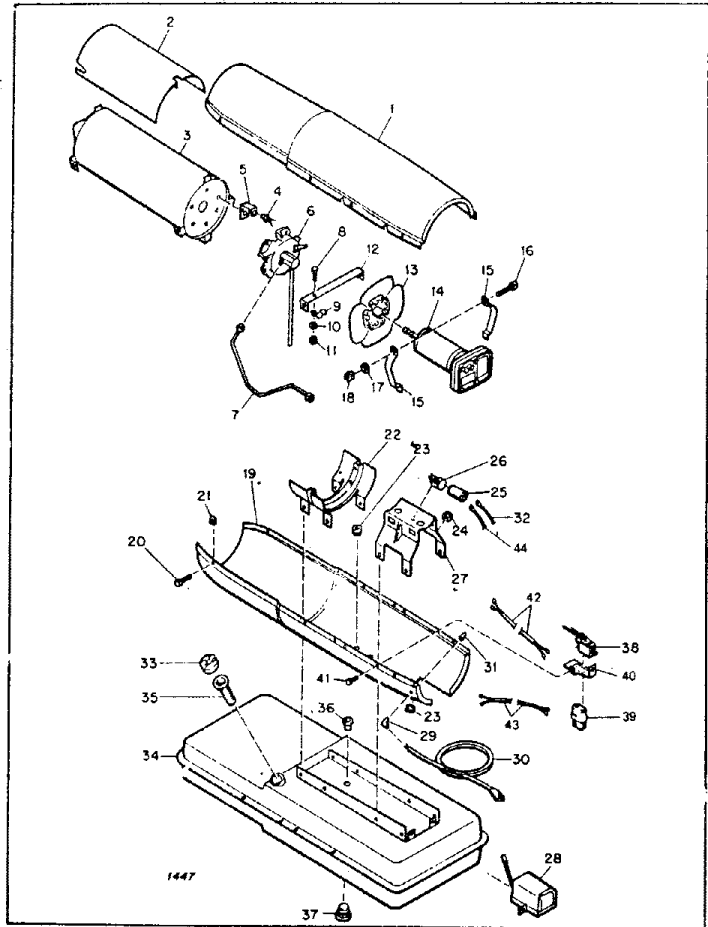


Figure 5. Wiring Diagram

HANDLES AND WHEELS

Index No.	Part Number	Part Name or Description	Qty.
1	M14243-3	Handle, Rear	1
2	M14244-3	Handle, Front	1
3	M12831-3	Frame, Wheel Support	1
4	M12345-33	Screw	8
5	NTC-3C	Nut, Torque Lock No. 10-24	8
6	M28526	Nut, Cap	2
8	M19294	Wheel	2
9	M16801-2A	Axle	1

Index No.	Part Number	Part Name or Description	Qty.
1	M17017-1AZ	Shell Assembly, Upper	1
2	M16679	Deflector, Heat	1
3	M16887-6	Combustion Chamber Assy.	1
	M11084-27	Screw (Combustion Chamber attaching, front)	2
	M11084-29	Screw (Combustion Chamber attaching, rear)	2
4	M16656-4	Cell Bushing Assy.	1
5	M16660	Bracket, Photo Cell	1
	M10908-1	Screw	2
6	M16803-4	Burner Head Assembly	1
	M11084-27	Screw (Burner Head to Combustion Chamber)	3
7	M16804	Airline	1
8	M12461-27	Screw (Airline retaining)	1
9	M24717	Clamp (Airline)	1
10	WLM-3	Lockwasher, No. 10	1
11	NPF-3C	Nut, Plain No. 10-32	1
12	M16871	Strap, Retainer	1
	M11084-27	Screw (Retainer strap to lower shell)	2
13	M17058	Fan, 16 Pitch	1
	SF4-2-1/2K	Setscrew, Soc. hd., cup pt. 1/4-28 (Fan to Motor Shaft)	2
14	M17875-8	Motor package assy. See figure 3	1
15	M16661	Clamp, Motor	4
16	HC4-10C	Screw (Motor Clamps)	2
17	WLM-4	Lockwasher, 1/4 in., Motor clamps	2
18	NPC-4C	Nut, Hex 1/4-20 Motor Clamps	2
19	M16810AZ	Shell, Lower	1
20	M11084-27	Screw (Upper Shell to Lower Shell)	8
21	M11271-6	Nut, Tinnerman (Upper Shell to Lower Shell)	8
22	M12828	Bracket, Shell support	1
	M11084-29	Screw, (Support Bracket to Lower Shell and Fuel Tank)	4
	M11084-27	Screw (Lower Shell to support Bracket)	2
23	1000576	Grommet (Cables and Leads thru Lower Shell)	2
24	1000577	Grommet (Leads to Motor and Capacitor)	2
25	12650-1	Capacitor	1
26	12651-1	Clamp, Tinnerman (Capacitor Mounting)	1
27	M16645	Bracket, Motor Support	1
	M11084-27	Screw (Motor Support Bracket to Lower Shell and Fuel Tank)	4
	M11084-27	Screw (Service Cord grounding to Motor Support Bracket)	1
28	M16697-02	Transformer, 5000 Volt	1
	M11084-27	Screw (Transformer to Motor Support Bracket)	2
29	M11143-1	Bushing, Strain Relief	1
30	M10813-77	Service Cord	1



HEATER GENERAL ASSEMBLY, EXPLODED VIEW

31	M13942-7	Connector (Wire Nut)	3
	M13942-5	Connector (Wire Nut)	2
32	M9900-77	Wire Assy. (to Capacitor)	1
33	M23284	Cap, Fuel Tank	1
34	M27547-01J	Fuel Tank	1
35	M50323	Screen, Filter Neck	1
36	M10990-3	Bushing, Rubber (Fuel Filter into Fuel Tank)	1
37	M27417	Plug, Drain	1
38	M28898-03	Safety Control Assembly	1
39	M12462-6	Relay, Starting	1
40	RC2-2C	Screw (Relay to Relay Bracket)	2
	M25296-1	Bracket, Safety Control	1
41	M11084-27	Screw	1
42	M16615-1	Wiring Harness Assy.	1
43	M9900-80	Wire Assy., Safety Control	1
	M9900-62	Wire Assy.	1