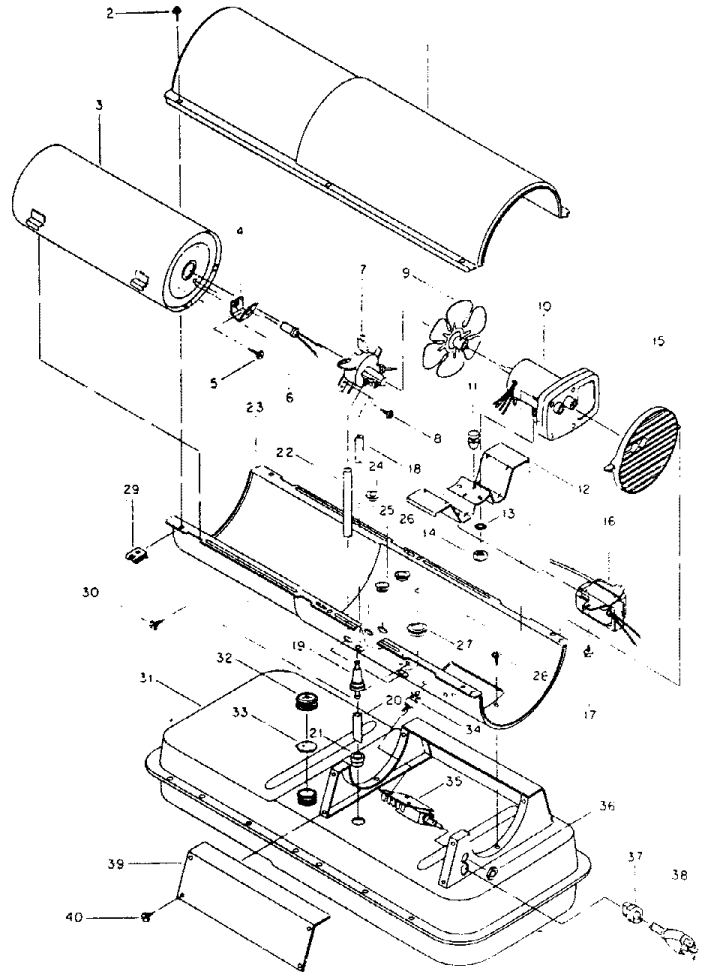


	Part No.	Description	Qty.
1	M51072-01AZ	Upper Shell	1
2	M15823-27	Screw, Hex Hd., No. 10x½	6
3	M51075-01	Assembly, Combustion Chamber	1
4	M16660	Bracket, Photo Cell	1
5	M10908-2	Screw, Hex Hd., No. 6x 3/8 (Attaches Photo Cell Bracket to Combustion Chamber)	2
6	M16656-10	Photo Cell Assembly	1
7	M51126-01	Burner Head Assembly (See Figure For Details)	1
8	M11084-26	Screw, Hex Hd., No 10x 3/8	3
9	M51153-01	Fan	1
10	M23149-14	Motor & Pump Assembly (See Figure For Details)	1
11	M50631	Bumper, Rubber	2
12	M51074-01	Bracket, Motor Mounting	1
13	WL1-4C	Washer, Lock ¼ in.	2
14	NJC-4C	Nut, Hex Jam	2
15	M51114-01	Guard, Fan	1
16	M50570-04	Transformer, 5000 Volt	1
17	M11084-26	Screw, Hex Hd., No. 10x 3/8	2
18	M51345-01	Fuel Line	1
19	M51150-01	Filter, Fuel	1
20	M51151-01	Tube, Fuel Line	1
21	M10990-3	Bushing, Rubber	1
22	M50814-06	Airline, Rubber	1
23	M51073-01AZ	Shell, Lower	1
24	M30865-02	Bushing (Photo Cell Wires)	1
25	M30865-02	Bushing (Transformer Lead to Spark Plug)	1
26	M30865-02	Bushing (Transformer Lead to Spark Plug)	1
27	M50104-02	Bushing (Airline & Wires Thru Shell)	1
28	M11084-26	Screw, Hex Hd., No. 10x 3/8 (Secures Lower Shell to Tank Brackets)	6
29	M11271-8	Nut, Tinnerman	6
30	M15823-37	Screw, Grounding No. 8x½	1
31	M51115-01AA	Tank, Fuel	1
32	M51000-01	Cap, Filler Neck (Order M51027-06)	1
33	M51002-01	Gasket-Cap (Order M51027-06)	1
34	M51122-01	Support - Circuit Board	3
35	M51060-03	Control Board, Safety, PCB Order M50671-02	1
36	M51157-01	Nut Hex 12 M M (Secures PCB to Bracket)	1
37	M11143-1	Bushing, Strain Relief	1
38	M10813-84	Assembly, Extension Cord	1
39	M51077-01AA	Cover, Side	4
40	M11084-26	Screw, Hex Hd., No. 10x 3/8	

K100A Heater Exploded View



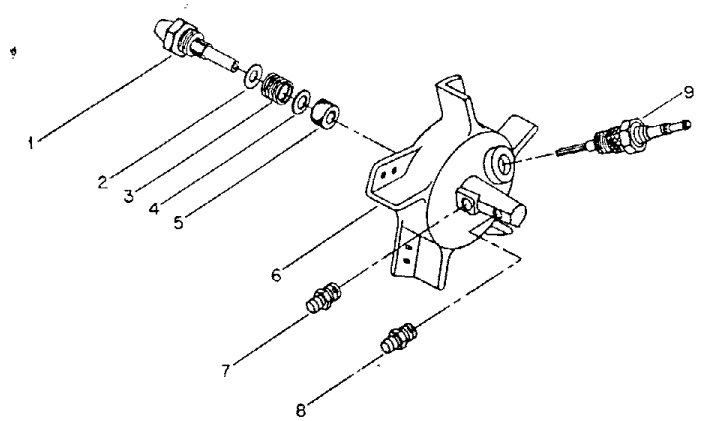
Parts Available—Not Shown

DECALS

M51296-02	Tradename
M51138-07	Wiring Diagram
M51146-02	General Information

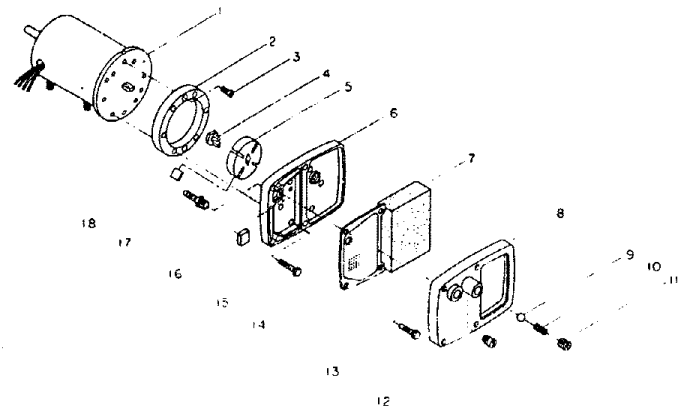
Key No.	Part Number	Part Description	Qty.
	M51126-01	Burner Head Assembly (Does not include M10962-2 spark plug)	1
1	M51120-01	Nozzle	1
2	M10659-1	Washer, Nozzle Seal	1
3	M10809-1	Spring, Nozzle Seal	1
4	M10659-1	Washer, Nozzle Seal	1
5	M8882	Seal, Nozzle, Sleeve	1
6	M50924-03	Body, Burner Head	1
7	M50820-02	Fitting, Barb	1
8	M50820-02	Fitting, Barb	1
9	M10962-2	Spark Plug	1

K100A Burner Head Assembly



Key No.	Part Number	Part Description	Qty.
	M23149-14	Motor and Pump Assembly	1
1	M51131-01	Motor-Split Single Phase	1
2	M8645	Pump Body	1
3	FHPF3-4C	Screw # 10-32x½	2
4	M22009	Insert	1
5	M22456-1	Rotor, Pump	1
6	M50545	Cover, End Pump	1
7	M12179	Filter, Intake	1
8	M16545	Cover, End, Filter	1
9	M8940	Ball, Steel ¼ Dia.	1
10	M10993-1	Spring-Pressure Relief	1
11	M27694	Screw, Adjusting	1
12	M22997	Plug, Pipe	1
13	M12461-31	Screw, Hex Hd., # 10-32x1 in. (Attaches Filter End Cover to Pump End Cover)	4
14	M12244-1	Filter Assembly, Output	1
15	M12461-32	Screw, Hex Hd., # 10-32x1 1/8	6
16	M11637	Filter, Lint	1
17	M50820-02	Fitting, Barb	1
18	M8643	Blade	4

K100A Motor And Pump Assembly



WIRING DIAGRAM

