

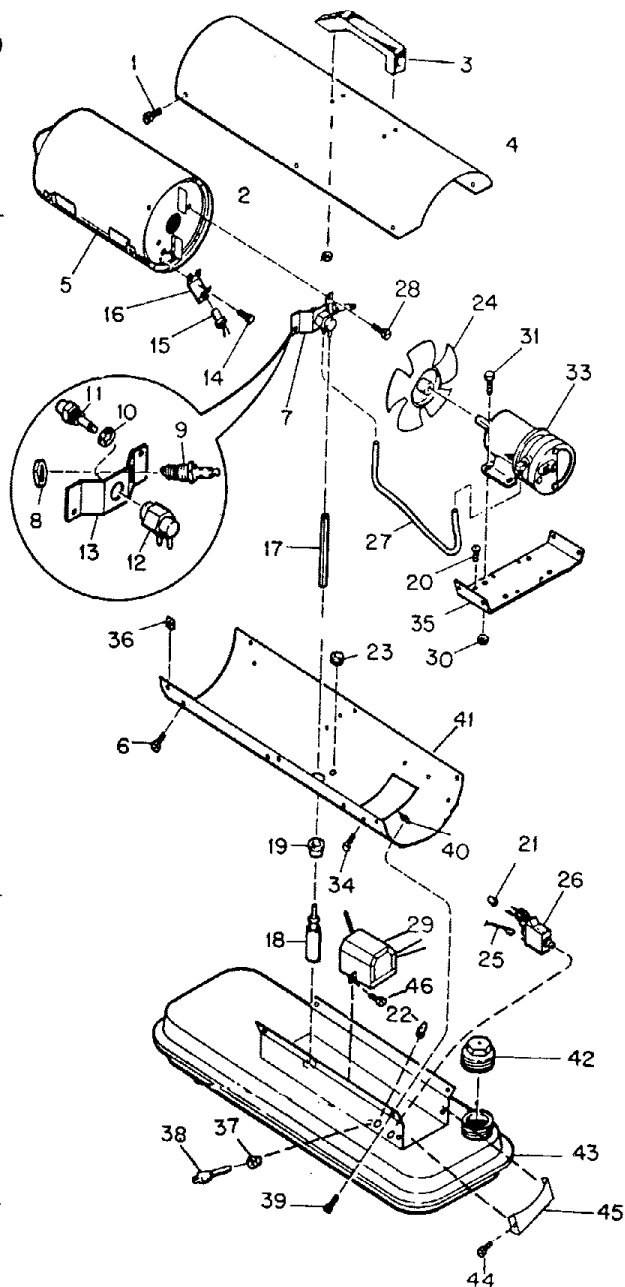
KOEHRING MODELS K30 and K50a

Spec. No. 5000G16 and 5003G11

Form No. FA2011

**K30 and K50A
Heater Exploded View**

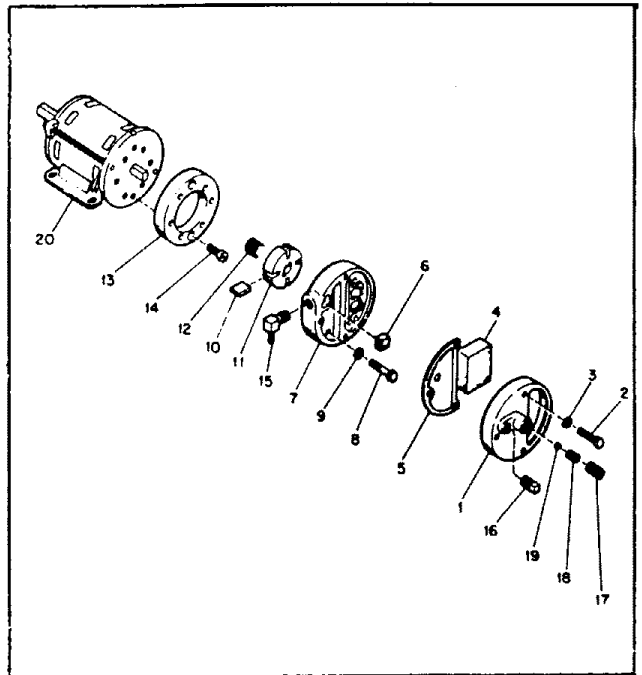
| Part Number | Part Name or Description | Qty. | | |
|-------------|--------------------------|--|-----|---|
| | | K50A | K30 | |
| 1 | M11084-26 | Screw, Hex Head, #10-12x3/8 in. | 6 | 6 |
| 2 | M50589-01 | Screw, Holds Handle to Shell | 2 | 2 |
| 3 | M51104-01 | Handle | 1 | 1 |
| 4 | M51391-01AZ | Shell, Upper | 1 | 1 |
| 5 | M29634-01 | Chamber, Combustion Assembly | 1 | — |
| | M30883-01 | Chamber, Combustion Assembly | — | 1 |
| 6 | M11084-26 | Screw, Hex Head, #10-12x3/8 in. | 4 | 4 |
| 7 | M29707-02 | Burner Head Assembly | 1 | 1 |
| 8 | M29824 | .Nut, Special 14mm | 1 | 1 |
| 9 | M29834 | .Spark Plug | 1 | 1 |
| 10 | M16741018 | .Ring, Retainer | 1 | 1 |
| | M29705-02 | .Nozzle Adaptor Assembly | 1 | 1 |
| 11 | M30875 | ..Nozzle Siphon | 1 | 1 |
| 12 | M29805 | ..Adaptor, Nozzle | 1 | 1 |
| 13 | M29615-01 | ..Bracket, Assembly | 1 | 1 |
| 14 | M10908-1 | Screw, Hex Head, #6-32x3/8 Secures Photo Cell Bracket to Combustion Chamber | 2 | 2 |
| 15 | M16656-4 | Photo Cell and Bushing Assembly | 1 | 1 |
| 16 | M16660 | Bracket, Photo Cell | 1 | 1 |
| 17 | M29803-02 | Tubing, Fuel Line | 1 | 1 |
| 18 | M29814-01 | Filter, Fuel | 1 | 1 |
| 19 | M10990-3 | Bushing, Rubber | 1 | 1 |
| 20 | M11084-26 | Screw, Hex Head, #10-12x3/8 in. (Ground) | 1 | 1 |
| 21 | M13942-5 | Connector, Wire | 2 | 2 |
| 22 | M13942-7 | Connector, Wire | 1 | 1 |
| 23 | 1000576 | Grommet | 2 | 2 |
| 24 | M30884 | Fan | 1 | — |
| | M29678 | Fan | — | 1 |
| 25 | M16841-16 | Wire Assembly | 1 | 1 |
| 26 | M50671-1 | Flame Out Control Assembly (safety) | 1 | 1 |
| 27 | M29803-03 | Tubing, Airline | 1 | 1 |
| 28 | M11084-26 | Screw, Hex Head, #10-32x3/8 in. secures Burner Head Assembly to Combustion Chamber | 2 | 2 |
| 29 | M16697-02 | Transformer Assembly 5000 volt | 1 | 1 |
| 30 | NTC-3C | Nut, #10-24 | 4 | 4 |
| 31 | M12461-50 | Screw, Hex Head, #10-24x3/8 | 4 | 4 |
| 32 | — | Not Used | — | — |
| 33 | M29750-01 | Motor and Pump Assembly | 1 | — |
| | M29750-01 | Motor and Pump Assembly | — | 1 |
| 34 | M11084-26 | Screw, Hex Head, #10-12x3/8 (Secures Motor Support Bracket to Lower Shell) | 4 | 4 |
| 35 | M29616 | Motor Support Bracket | 1 | 1 |
| 36 | M11271-6 | Nut, Clip | 6 | 6 |
| 37 | M11143-1 | Bushing, Strain Relief | 1 | 1 |
| 38 | M10813-74 | Power Cord | 1 | 1 |
| 39 | M11084-26 | Screw, Hex Head, #10-12x3/8 (Secures Lower Shell in Position) | 4 | 4 |
| 40 | M11271-6 | Nut, Clip | 4 | 4 |
| 41 | M30727AZ | Shell, Lower | — | 1 |
| | M30763AZ | Shell, Lower | 1 | — |
| 42 | M51027-08 | Kit, Cap Fuel | 1 | 1 |
| 43 | M30873-01AA | Tank, Fuel Assembly | 1 | — |
| | M30723-01AA | Tank, Fuel Assembly | — | 1 |
| 44 | M11084-26 | Screw, Hex Head, #10-12x3/8 | 2 | 2 |
| 45 | M30726AA | Bracket, End Cover | 1 | 1 |
| 46 | M11084-26 | Screw, Hex Head, #10-12x3/8 | 2 | 2 |



PARTS AVAILABLE—NOT SHOWN

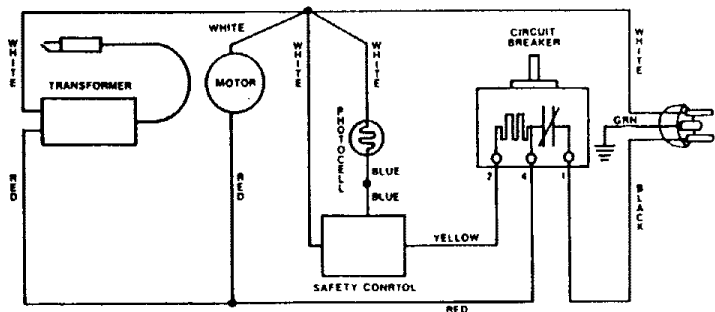
| | |
|------------|---------------------------|
| M51295-02 | Decal, Tradename |
| M30728 | Decal, Wiring Diagram |
| M50011 | Decal, Spark Plug |
| M51393-01 | Decal, Warning |
| M51392-02 | Decal, Information (K50A) |
| M51392-01 | Decal, Information (K30) |
| M29870-160 | Manual, Instruction |

| Key No. | Part Number | Part Name or Description | Qty. |
|---------|-------------|--|------|
| 1A | M29750-02 | Motor Package Assembly | 1 |
| 1 | M29609 | • End Cover, Filter | 1 |
| 2 | M12461-31 | • Screw (Filter End Cover to Pump End Cover) | 3 |
| 4 | M29633 | • Intake Air Filter | 1 |
| 5 | M29612-01 | • Output Filter Assembly | 1 |
| 6 | M29632 | • Filter, Lint | 1 |
| 7 | M29608 | • End Cover, Pump (Port Plate) | 1 |
| 8 | M12461-31 | • Screw (End Cover to Motor) | 6 |
| 10 | M8643 | • Blade | 4 |
| 11 | M22456-1 | • Rotor, Pump | 1 |
| 13 | M30821 | • Pump Body | 1 |
| 14 | FHPF-4C | • Screw (Pump Body to Motor) | 2 |
| 15 | M50016 | • Elbow | 1 |
| 16 | M22997 | • Plug, Socket Hd. | 1 |
| 17 | M27694 | • Screw, Pressure Adjustment | 1 |
| 18 | M10993-1 | • Spring, Compression (Pressure Relief) | 1 |
| 19 | M8940 | • Ball, 1/4 in. dia. | 1 |
| 20 | M30876-01 | • Motor | 1 |



K30 and K50A – Motor And Pump Assembly

WIRING DIAGRAM



K30 & K50