

GAS CONSTRUCTION HEATER

Illustrated Parts List

DESA
CP200

IMPORTANT: Do not use key numbers when ordering service parts. Always order components by part number and description. Include model and serial numbers.

KEY NO.	PART NUMBER	DESCRIPTION	QTY.	KEY NO.	PART NUMBER	DESCRIPTION	QTY.
1	**	Screw, #10-24 x 1/2"	3	27	097152-01	Manual Control Valve	1
2	**	Nut, #10-24	3	28	099236-01	Thermocouple	1
3	097052-01	Standoff Bracket	3	29	097057-01	Thermocouple Bracket	1
4	M11084-27	Screw, "AB" #10-16 x 1/2"	8	30	098819-01	Burner Ring	2
5	098822-02	Half Shell	2	31	098820-01	Nozzle Bracket	1
6	098847-01	Standoff Bracket (Stainless Steel)	3	32	097150-01	Ignitor Electrode	1
7	097187-01	Pop Rivet, 3/16"	4	33	M11084-37	Screw, #8-18 x 1/4"	1
8	*	Break Mandrel Rivet (Stainless Steel), 3/16"	3	34	097163-01	Pilot Burner Assembly	1
9	M50110-03	Pop Rivet (Stainless Steel), 1/8"	10	35	097053-01	Pilot Burner Bracket	1
10	098823-02	Top Deflector	1	36	098845-01	Rear Heat Shield	1
11	098827-01	Male Compression Fitting	1	37	098844-01	Side Heat Shield	2
12	M5787	Compression Nut	4	38	*	Break Mandrel Rivet (Stainless Steel), 3/16"	2
13	M5788	Compression Sleeve	4	39	LPA3060	Regulator and Hose Assembly	1
14	098826-01	Fuel Tube	1	40	*	Screw Kit	1
15	098825-01	Male Compression Elbow	1	41	078978-03	Sleeve Cap	1
16	097162-01	Burner Nozzle	1	PARTS AVAILABLE - NOT SHOWN			
17	097161-01	Pilot Burner Orifice	1		098860-01	Information Decal	1
18	098829-01	Pilot Fuel Tube	1		*	Operation Decal	1
19	102445-01	Piezo Ignitor	1		098852-01	Tradename Decal	1
20	098838-01	Sheet Metal Nut	1		098338-01	Owner's Manual	1
21	LPA4010	Debris Shield	1	ACCESSORIES			
22	097155-01	Automatic Control Valve	1		LPA1020	Hose	
23	097157-01	Female Connector	1		LPA2050	Regulator	
24	098828-01	Female Compression Elbow	1		LPA4020	P.O.L. Connector	
25	098835-01	Nut, 1/2"-28	1				
26	098824-01	Base	1				

* No Longer Available

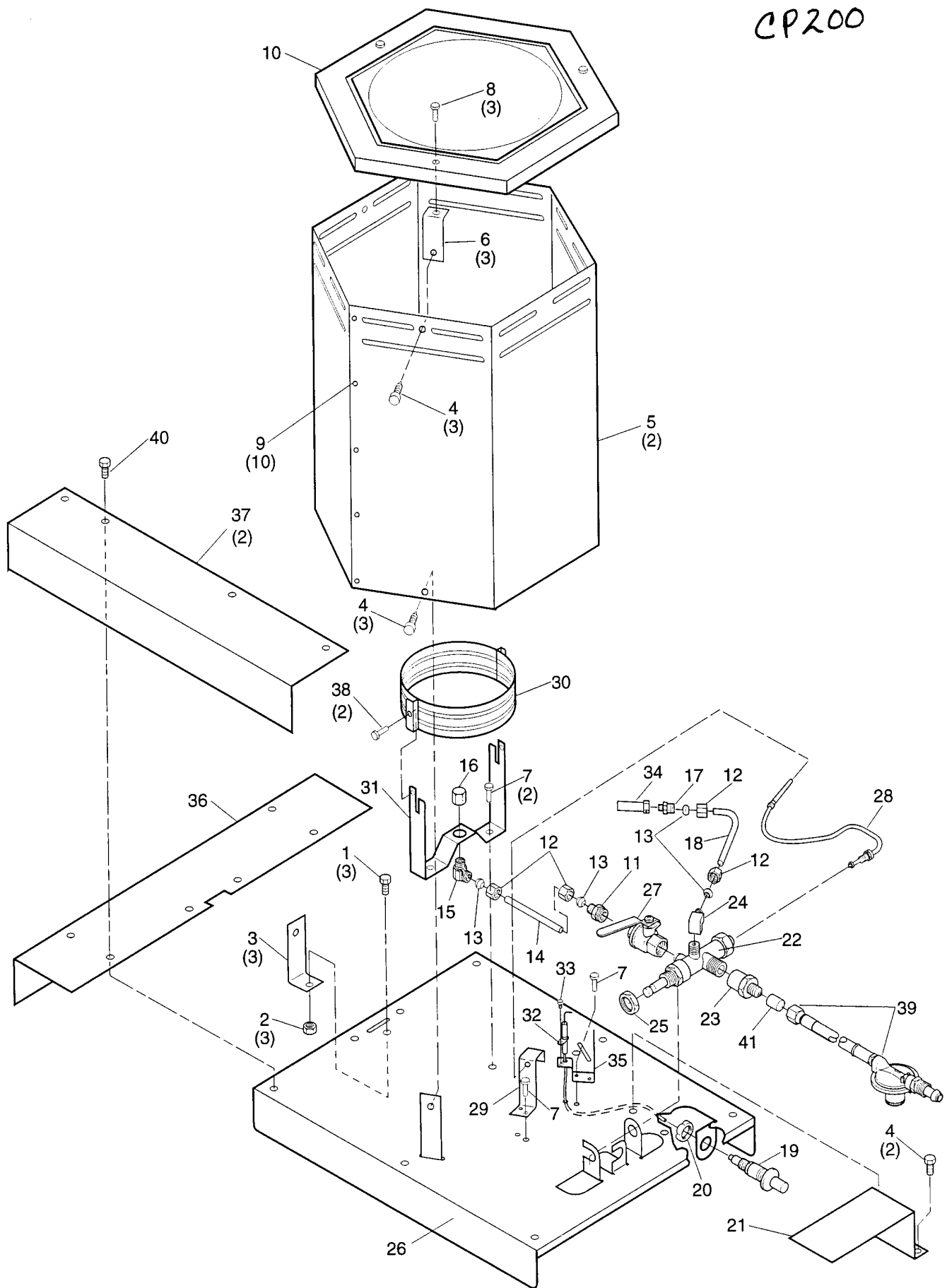
** Standard hardware item available locally

DESA International

2701 Industrial Drive, P.O. Box 90004
Bowling Green, KY 42102-9004
Technical Service Department 1-800-323-5190
Parts Department 1-800-972-7879

098986-01
REV. C
9/96

CP200



098986-01
REV.C 9/96