

PORTABLE FORCED AIR LP GAS HEATER
Illustrated Parts List

~~GCH-30~~

Issued: June, 1992

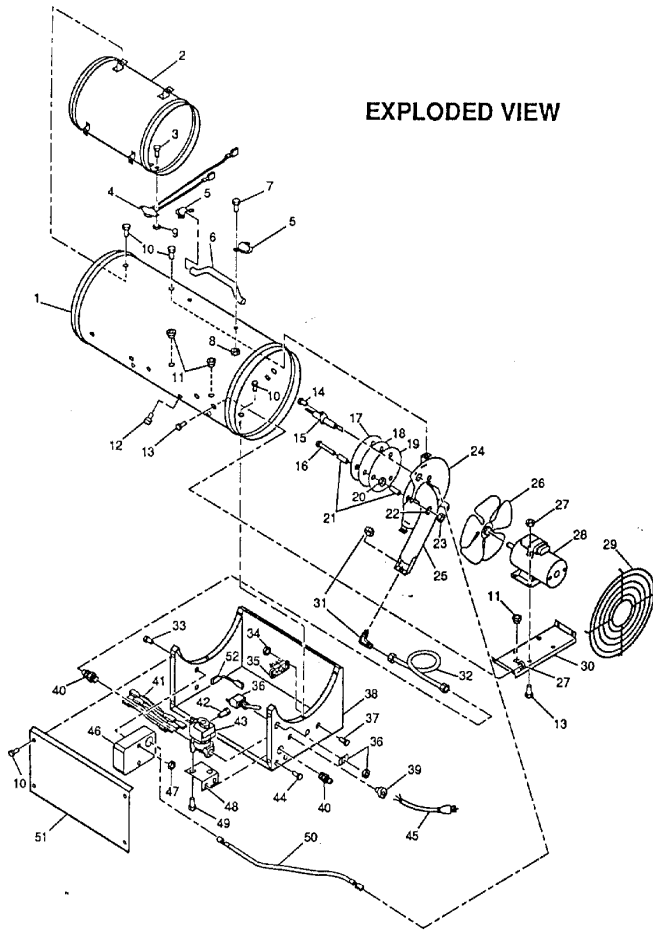
**C375LP.
 BLP375.
 VLP375.**

IMPORTANT: Do not use key numbers when ordering service parts. Always order components by part number and description. Include model and serial numbers.

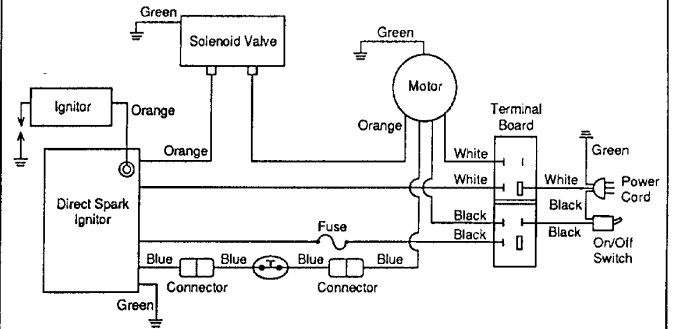
KEY NO.	PART NUMBER	DESCRIPTION	QTY.	KEY NO.	PART NUMBER	DESCRIPTION	QTY.
1	097963-01BJ	Outer Shell (C375LP) <i>RIB 100409-04</i>	1	34	NPC-2C ✓	Hex Nut, #8-32	2
	097963-01AD	Outer Shell (VLP375) <i>RIB 100409-02</i>	1	35	M51584-01 ✓	Terminal Board	1
	097963-01AB	Outer Shell (BLP375) <i>RIB 100409-01</i>	1	36	098226-01 ✓	On/Off Switch Assembly (Includes Plate and Nut)	1
2	097847-01 ✓	Combustion Chamber Assembly	1	37	M12461-14 ✓	Hex Screw, #8-32 x 3/8"	2
3	097968-01 ✓	Hex Screw, #4-40 x 1/4"	2	38	097966-01AA ✓	Base	1
4	097952-01 ✓	Thermal Switch Assembly	1	39	M11143-1 ✓	Strain Relief Bushing	1
5	097918-01 ✓	Cleat	2	40	097809-01 ✓	Male Fitting	2
6	097917-01 ✓	Handle	1	41	098923-01 ✓	Wire Assembly	1
7	M12461-26 ✓	Hex Screw, #10-32 x 3/8"	4	42	M11084-37 ✓	Hex Screw, #8-18 x 1/4"	1
8	NTF-3C ✓	Hex Nut, #10-32	4	43	097803-01 ✓	Solenoid Valve	1
9	NPC-00C ✓	Hex Nut, #4-40	2	44	M10908-27 ✓	Hex Screw, #10-32 x 1/2"	2
10	M11084-26 ✓	Hex Screw, #10-16 x 3/8"	19	45	098219-09 ✓	Cord Assembly <i>RIB 098884-03</i>	1
11	097930-01 ✓	Snap Bushing	4	46	098884-01	D.S.I. Control	1
12	**	Hex Screw, #8-18 x 1/2"	1	47	NPC-3C ✓	Hex Nut, #10-24	2
13	M12461-62 ✓	Hex Screw, 1/4-20 x 3/8"	8	48	097828-01 ✓	Solenoid Bracket	1
14	M10908-1 ✓	Hex Screw, #6-32 x 1/4"	1	49	M12461-25 ✓	Hex Screw, #10-32 x 1/4"	2
15	097805-01 ✓	Ignitor	1	50	097806-01 ✓	Ignitor Cable	1
16	097812-01 ✓	Hex Bolt, 1/4-20 x 2 1/2"	3	51	097965-01AA ✓	Side Cover	1
17	097835-01 ✓	Front Diffuser Plate	1	52	M16841-53	Black Wire Assembly <i>RIB 109900-170</i>	1
18	097841-01 ✓	Corrugated Ring	10	PARTS AVAILABLE - NOT SHOWN			
19	097842-01 ✓	Flat Ring	9		098217-01	Owner's Manual	1
20	097813-01 ✓	Hex Jam Nut, 1/4-20	3		097817-01	Wiring Ladder Decal	1
21	097839-01 ✓	Spacer	6		097816-01	Wiring Diagram Decal	1
22	WLI-4C ✓	Internal Lock Washer	3		097815-05	General Information Decal <i>NLA</i>	1
23	NPC-4C ✓	Hex Nut, 1/4-20	3		098337-01 ✓	Tradename Decal (C375LP)	1
24	097848-01 ✓	Rear Plate Assembly	1		097981-01 ✓	Tradename Decal (VLP375)	1
25	097845-01 ✓	Burner Tube Assembly	1		097895-01 ✓	Tradename Decal (BLP375)	2
26	097811-01 ✓	Fan	1		097916-01 ✓	Baffle	1
27	NTC-4C ✓	Hex Nut, 1/4-20	8		LPA1020	Hose	1
28	097802-01 ✓	Motor	1		LPA2020	Regulator	1
29	097964-01AA ✓	Fan Guard	1		LPA3030	Regulator & Hose Assembly	1
30	097829-01 ✓	Motor Mount	1				
31	097810-01 ✓	Nozzle Assembly	1				
32	097905-01 ✓	Fuel Tube Assembly	1				
33	098861-01 ✓	Pan Head Screw, #10-24 x 5/8"	2				

** Standard hardware item available locally

EXPLODED VIEW



WIRING DIAGRAM



SPECIFICATIONS

Output Rating (BTU/Hr)	225,000 to 375,000
Fuel	Propane Vapor Only
Fuel Consumption	
Gallons/Hour	2.5 Minimum/4.0 Maximum
Pounds/Hour	10.4 Minimum/17.4 Maximum
Supply Pressure to Regulator	
Minimum	25 psig
(for purposes of input adjustment)	
Maximum	Tank Pressure
Regulator Outlet Pressure	7-20 psig
Hot Air Output (CFM)	1500
Motor	1725 RPM, 1/5 HP
Electrical Input	120V/60 Hz
Amperage	4.2
Ignition	Direct Spark
Weight (Pounds)	
Heater	42
Shipping	49
Size - L x W x H (Inches)	34 x 13 x 19.5