

## PORTABLE FORCED AIR HEATER

### *Illustrated Parts List*

**REDDY**  
**R100A**

**IMPORTANT:** Do not use key numbers when ordering service parts. Always order components by part number and description. Include model and serial numbers.

KEY NO.	PART NUMBER	DESCRIPTION	QTY.	KEY NO.	PART NUMBER	DESCRIPTION	QTY.
1	098511-63	Upper Shell	1	20	M51150-01	Fuel Filter	1
2	100647-01	Screw, #10-16 x 1/2"	8	21	M51151-01	Fuel Line Tube	1
3	098512-07	Combustion Chamber	1	22	M10990-3	Rubber Bushing	1
4	M16660	Photocell Bracket	1	23	M50814-06	Airline	1
5	M10908-2	Screw, #6-32 x 3/8"	2	24 Δ	098511-63	Lower Shell	1
6	HA3019	Photocell Assembly	1	25	M30865-02	Bushing	1
7	***	Burner Head Assembly	1	26	M30865-02	Bushing	1
7-1	HA3009	Nozzle (Including Sleeve)	1	27	M30865-02	Bushing	1
7-2	M10659-1	Nozzle Washer	2	28	M50104-02	Bushing	1
7-3	M10809-1	Nozzle Spring	1	29	M11084-27	Screw, #10-16 x 1/2"	6
7-4	M8882	Nozzle Sleeve	1	30	M11271-8	Clip Nut	8
7-5	M50924-03	Burner Head Body	1	31	M15823-37	Screw, #8-18 x 1/4"	1
7-6	M50820-02	Barb Fitting	2	32	098513-21	Fuel Tank	1
7-7	HA3012	Spark Plug	1	33	097702-01	Fuel Cap (Includes Gasket)	1
8	M11084-27	Screw, #10-16 x 1/2"	3	34	HA3003	Safety Control	1
9	M51153-01	Fan	1	35	M11143-1	Strain Relief Bushing	1
10	***	Motor and Pump Assembly	1	36	099896-03	Power Cord	1
10-1	097300-02	Motor (Split Phase)	1	37	M51077-01AA	Side Cover	1
10-2	079975-02	Pump Body	1	38	M11084-27	Screw, #10-16 x 1/2"	4
10-3	FHPF3-2C	Screw, #10-32 x 1/2"	2	39	**	Wire Connector (Blue Wires)	1
10-4	M22009	Rotor Insert	1	40	**	Wire Connector (Red Wires)	1
10-5	M22456-1	Rotor	1	41	**	Wire Connector (White Wires)	1
10-6	M50545	Pump End Cover	1	42 Δ	079010-06	Wire Assembly (Red, 14 1/2")	1
10-7	M12179	Intake Filter	1	43	M16841-16	Wire Assembly (Red, 6")	1
10-8	M16545	Filter End Cover	1	<b>PARTS AVAILABLE - NOT SHOWN</b>			
10-9	M8940	Steel Ball, 1/4" diameter	1		097896-01	Wheels	2
10-10	M10993-1	Relief Spring	1		M51015-01	Axle	1
10-11	M27694	Adjusting Screw	1		M12342-3	Wheel Support Frame	1
10-12	M22997	Plug	1		HA2203	Front Handle	1
10-13	M12461-31	Screw, #10-32 x 1"	10		M12345-33	Screw, #10-24 x 3/4"	8
10-14	M12244-1	Output Filter	1		M28526	Nut Cap	2
10-15	M11637	Lint Filter	1		NTC-3C	Hex Lock Nut, #10-24	8
10-16	M50820-02	Barb Fitting	1		097204-04	Tradename Decal	
10-17	M8643	Blade	4		098493-01	General Information Decal	
11	M50631	Rubber Bumper	2	<b>ACCESSORIES</b>			
12	098138-02	Motor Mounting Bracket	1		HA1210	Hang-up Thermostat	
13	097061-01	Solid State Relay	1		HA1180	Air Gauge Kit	
14	M15823-39	Screw, #8-18 x 1/2"	2				
15	NTC-4C	Hex Lock Nut, 1/4-20	2				
16	M51114-01	Fan Guard	1				
17	102482-01	Ignitor Kit	1				
18	M11084-29	Screw, #10-16 x 3/4"	2				
19	M51345-01	Fuel Line	1				

\*\* Available at your local hardware store.

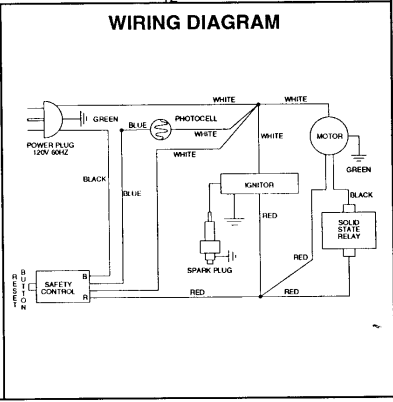
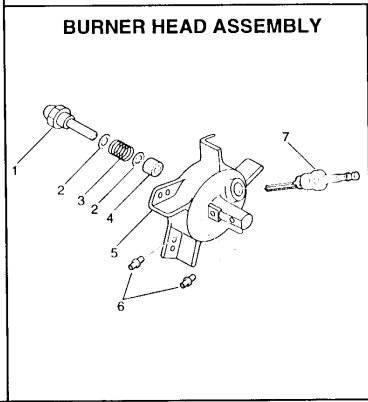
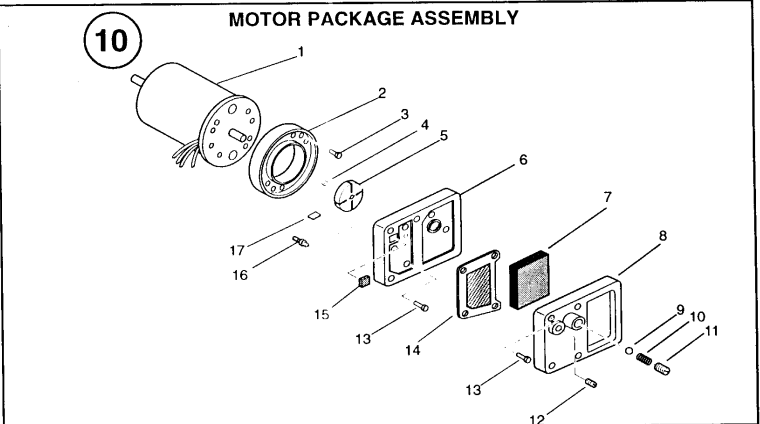
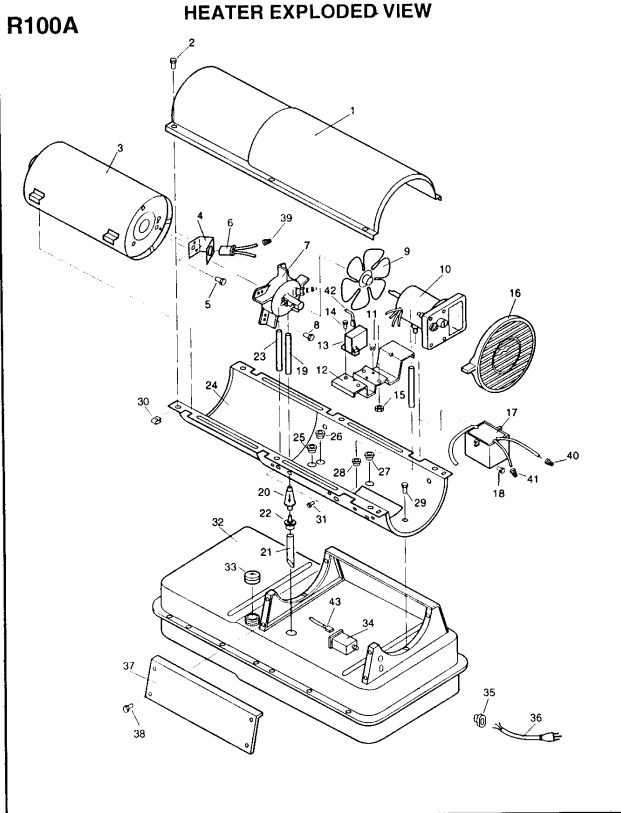
\*\*\* Not available as an assembly.

Δ No longer available.

### DESA International

2701 Industrial Drive, P.O. Box 90004  
Bowling Green, KY 42102-9004  
Technical Service Department 1-800-323-5190  
Parts Department 1-800-972-7879

097706-01  
REV. E  
05/97



### SPECIFICATIONS

Output Rating (BTU Per Hour)	100,000	Motor RPM	3450
Fuel	Kerosene or #1 fuel oil	Hot Air Output (Approximate CFM)	481
Fuel Tank Capacity (U. S. Gallons)	9	Air Pump Pressure (PSI)	4.0
Fuel Consumption (Approximate U.S. Gallons Per Hour)	0.74	Shipping Weight (Approximate Pounds)	64
Electric Requirements	120V/60Hz	Heater Weight Without Fuel (Approximate Pounds)	55
Amperage (During Normal Run)	5		
Starting Amps	10		